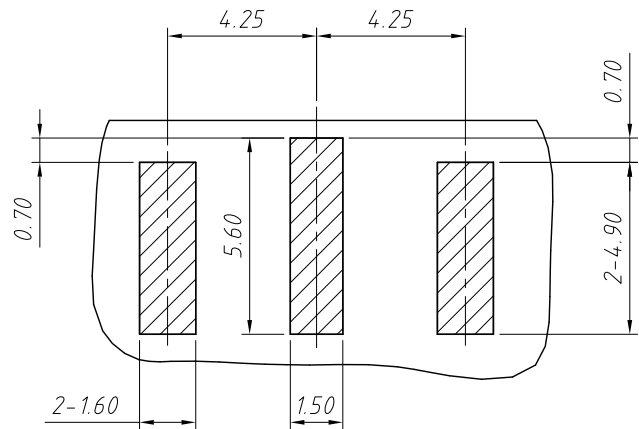
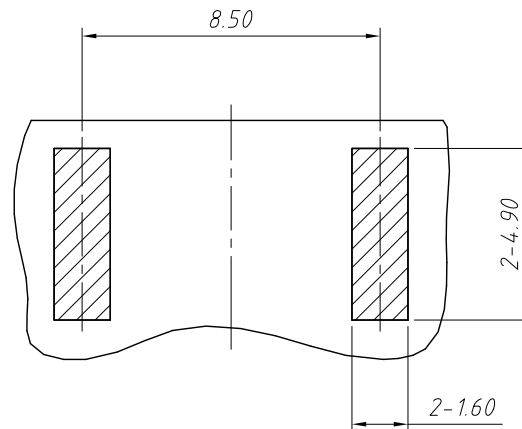


RoHS Compliance



TOP VIEW

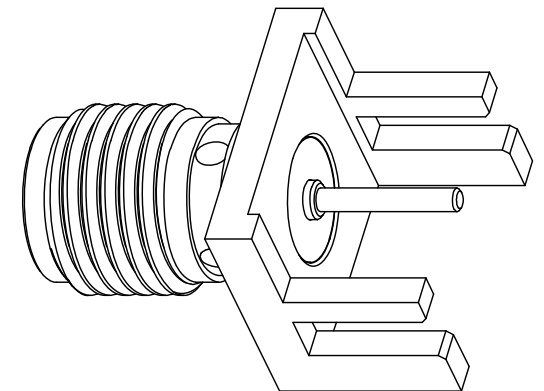
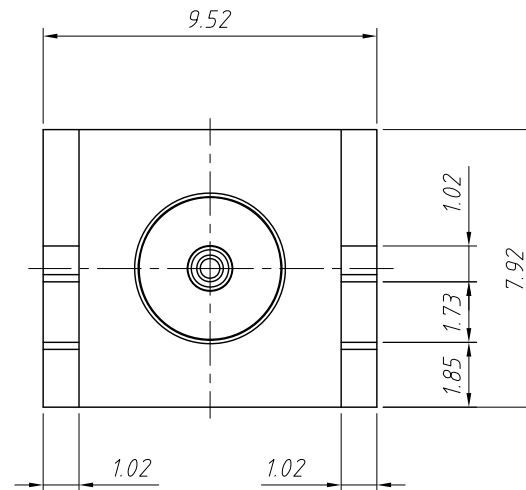
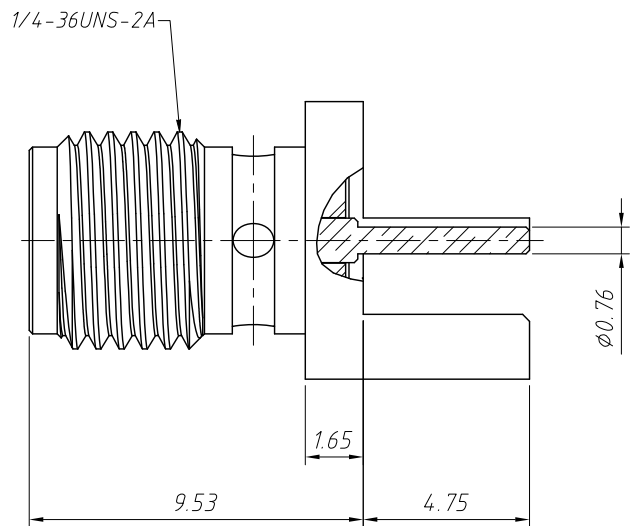


BOTTOM VIEW

RECOMMENDED PCB LAYOUT

**Material:**  
 Body: Brass, Gold Plating  
 Insulator: PTFE, Natural  
 Contact Pin: Ber. Copper, Gold Plating

**Electrical:**  
 Impedance: 50Ω  
 Frequency Range: DC 0-18 GHz  
 VSWR: 1.3 Max.  
 Dielectric Withstanding Voltage: 1000 VRMS Min.  
 Board Thickness = 1.57mm  
 Contact Pin Must Withstand 6 Lbs Min.  
 Axial In Both Directions And 4 In -OZ Min.  
 Radial Force.

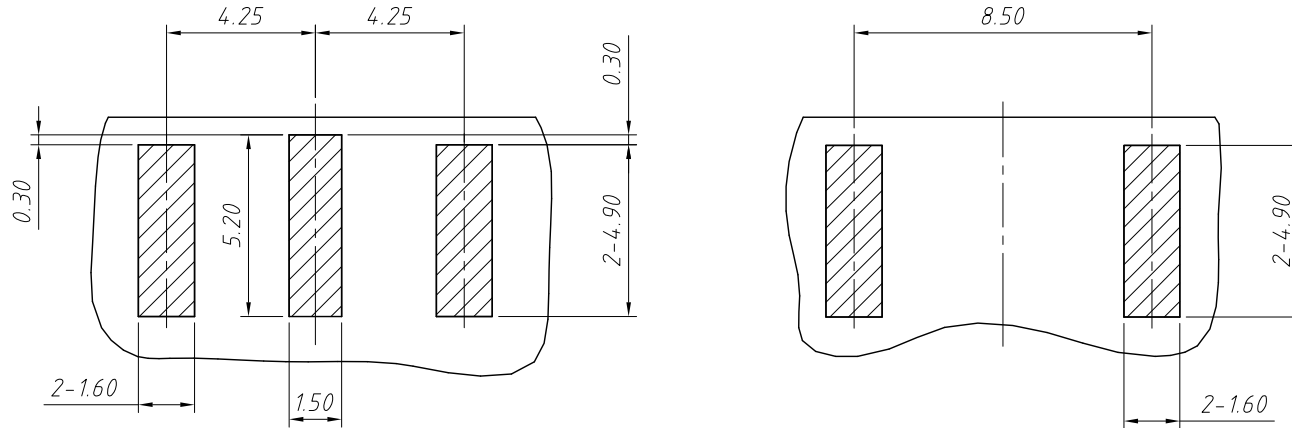


|                   |            |              |  |
|-------------------|------------|--------------|--|
| ANGLE TOLERANCE   | PROJECTION | Description: | RF Connector SMA PCB End Launch (Jack, Female) L 14.3mm / L 17.4mm |
| ±3°               |            |              |  |
| GENERAL TOLERANCE | UNITS      | mm           | KLS P/N: L-KLS1-SMA017-L14.3                                       |
| x.x ±0.30         | SHEET SIZE | A4           |  |
| x.xx ±0.20        | Draw:      | Daniel       | 2020-11-11   |
| x.xxx ±0.10       | Check:     | Daniel       | 2020-11-11   |



NingBo KLS ELECTRONIC CO.,L TD.

1 RoHS Compliance

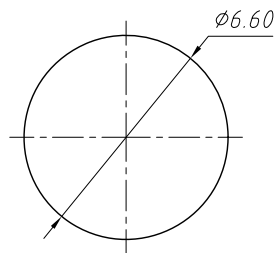
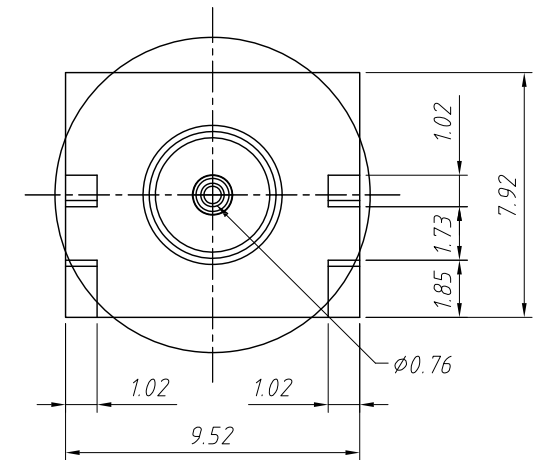
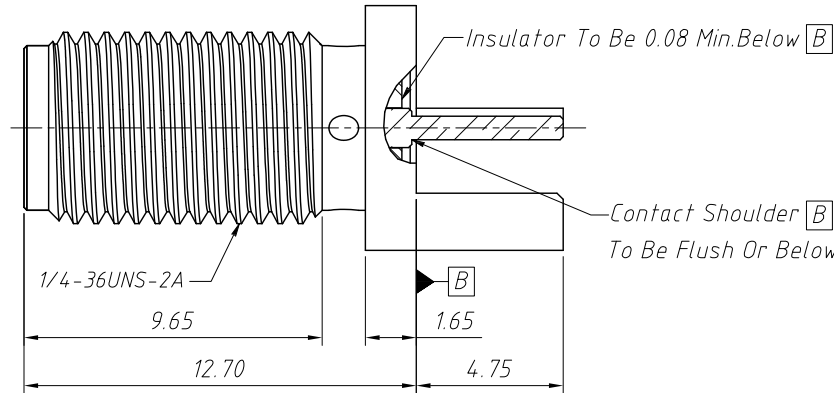
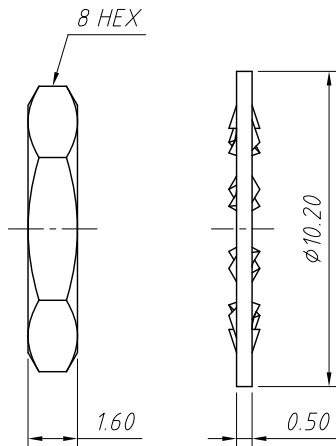


TOP VIEW

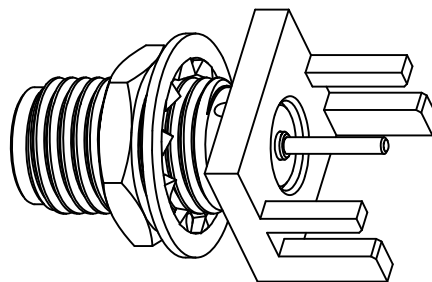
RECOMMENDED PCB LAYOUT BOTTOM VIEW

**Material:**  
 Body:Brass,Gold Plating  
 Insulator:PTFE,Natural  
 Contact Pin:Ber.Copper,Gold Plating  
 Lock Washer:Brass,Gold Plating  
 Hex Nut:Brass,Gold Plating

**Electrical:**  
 Impedance:50Ω  
 Frequency Range:DC 0-18 GHz  
 Dielectric Withstanding Voltage:1000 VRMS Min.  
 Durability:500Cycles Min  
 Temperature Range:- 65°C to +165°C  
 Board Thickness=1.57mm  
 Max.Panel Thickness=3.5mm  
 Contact Pin Must Withstand 6 Lbs Min.  
 Axial In Both Directions And 4 In -OZ Min.Radial Force.



RECOMMENDED MOUNTING HOLE



|                   |            |              |  |
|-------------------|------------|--------------|--|
| ANGLE TOLERANCE   | PROJECTION | Description: | RF Connector SMA PCB End Launch (Jack, Female) L14.3mm / L17.4mm |
| ±3°               |            |              |  |
| GENERAL TOLERANCE | UNITS      | mm           | KLS P/N: L-KLS1-SMA017-L17.4                                     |
| x.x ±0.30         | SHEET SIZE | A4           |  |
| x.xx ±0.20        | Draw:      | Daniel       | 2020-11-11   |
| x.xxx ±0.10       | Check:     | Daniel       | 2020-11-11   |



NingBo KLS ELECTRONIC CO.,L TD.