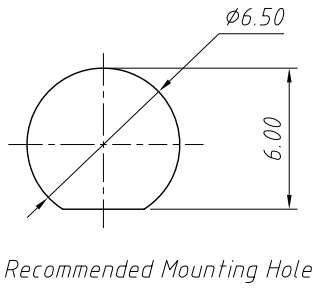
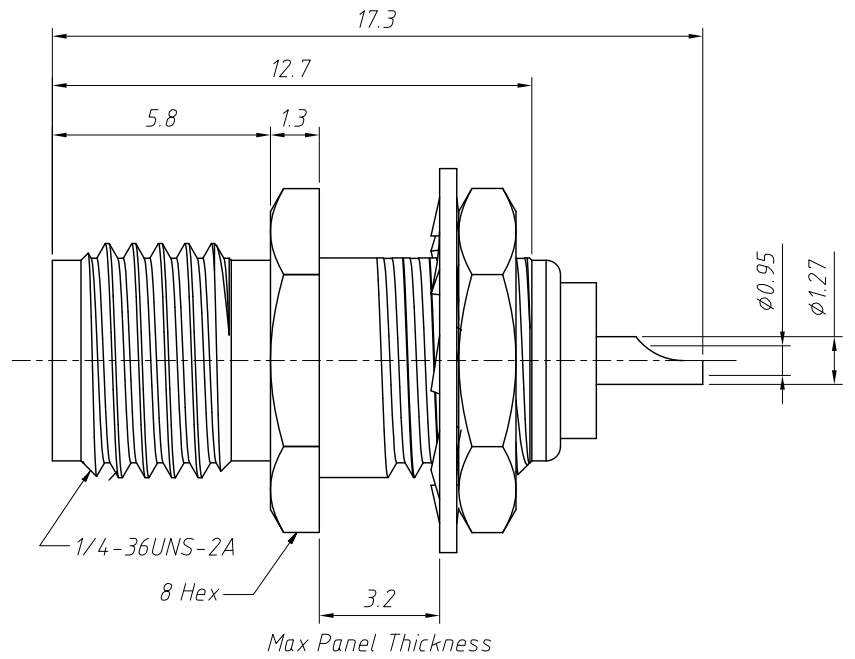
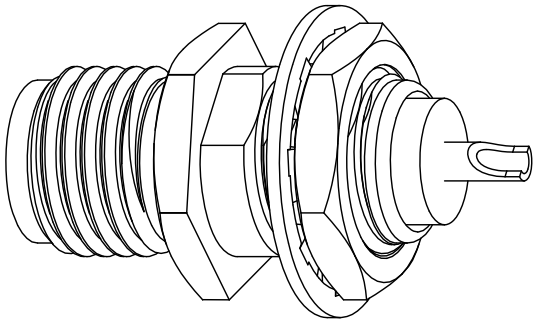


1
RoHS Compliance



Material:
 Body: Brass, Gold Plating
 Contact Pin: Ber. Copper, Gold Plating
 Insulator: Teflon, Natural
 Lock Washer: Brass, Gold Plating
 Hex Nut: Brass, Gold Plating
 Ferrule: Copper, Gold Plating

ANGLE TOLERANCE	PROJECTION	Description:	Panel Mount SMA Connector (Jack, Female, 50Ω)	
±3°				
GENERAL TOLERANCE	UNITS	mm	KLS P/N:	L-KLS1-SMA011B
x.x ±0.30	SHEET SIZE	A4		
x.xx ±0.20	Draw:	Daniel	2020-11-11	NingBo KLS ELECTRONIC CO.,L TD.
x.xxx ±0.10	Check:	Daniel	2020-11-11	