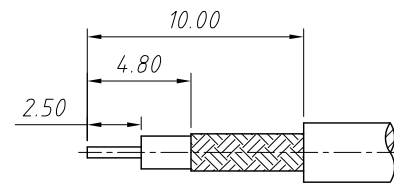
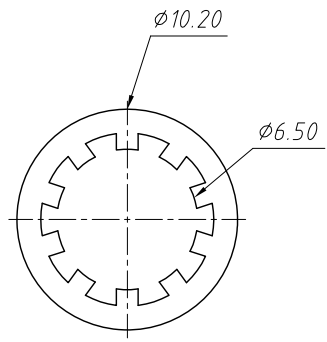
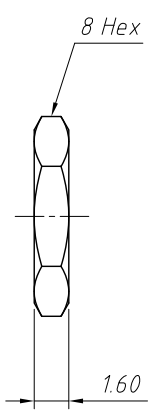
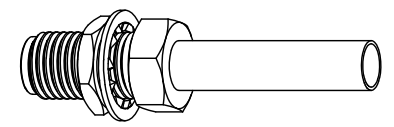
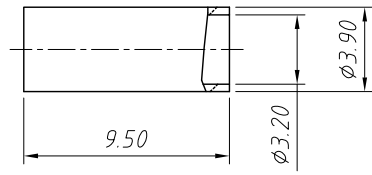
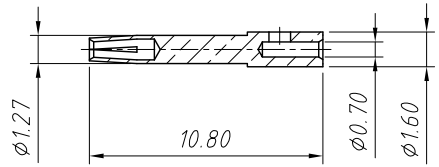
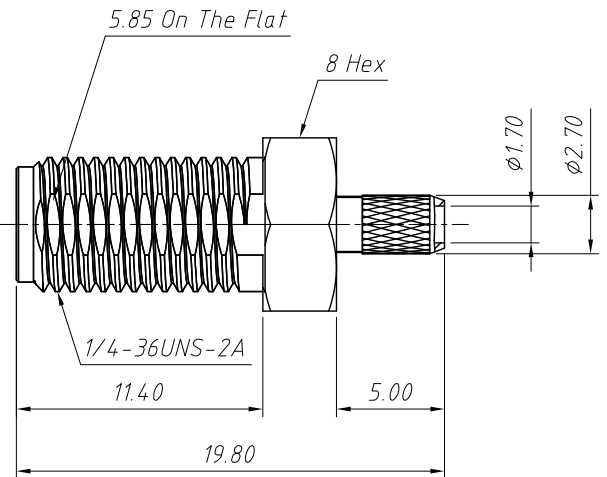
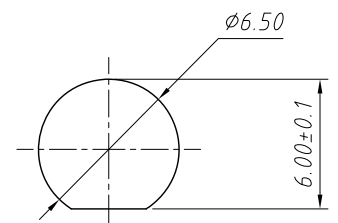


1
RoHS Compliance



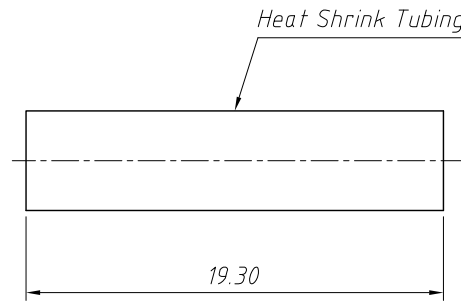
Recommended Cable Stripping Dim's



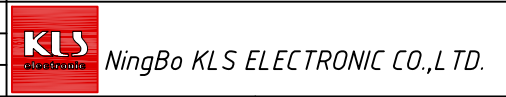
Recommended Mounting Hole

Material:
 Body:Brass,Gold Plating
 Contact Pin:Ber.Copper,Gold Plating
 Insulator:PTFE,Natural
 Lock Washer:Brass,Gold Plating
 Hex Nut:Brass,Gold Plating
 Ferrule:Brass,Gold Plating
 Heat Shrink Tubing:Blak

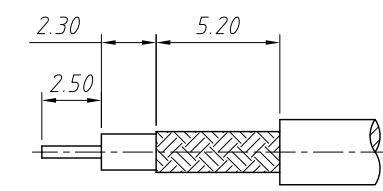
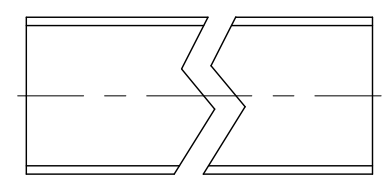
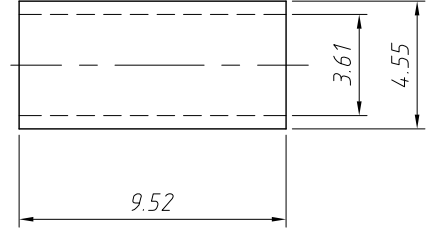
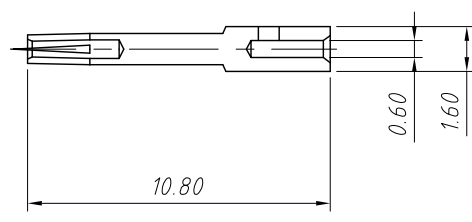
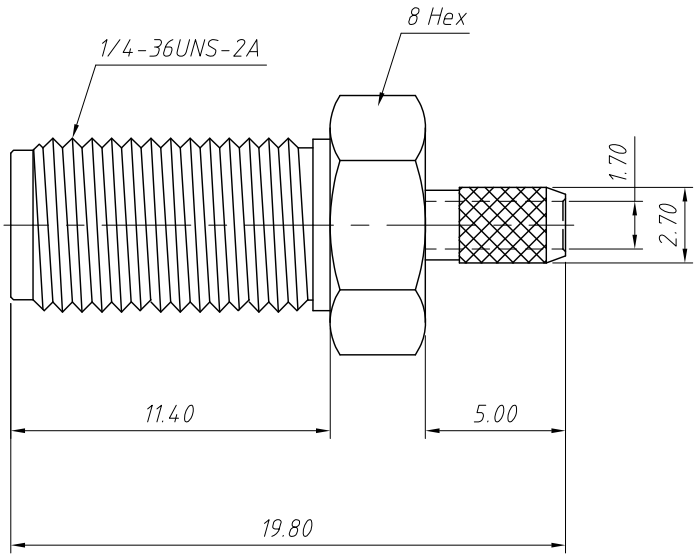
Note:
 Impedance:50Ω
 Crimped Ferrule Hex Crimp Size 3.25
 Contact Pin To Solder
 Max. Panel Thickness=3.2mm



ANGLE TOLERANCE	PROJECTION	Description:	Panel Mount SMA Cable Connector Straight (Jack,Female,50Ω)
±3°			
GENERAL TOLERANCE	UNITS	mm	KLS P/N: L-KLS1-SMA008
x.x ±0.30	SHEET SIZE	A4	
x.xx ±0.20	Draw:	Daniel	2020-11-11
x.xxx ±0.10	Check:	Daniel	2020-11-11



1
RoHS Compliance



Recommended Cable Stripping Dim's

Material:
 Body:Brass,Gold Plating
 Contact Pin:Ber.Copper,Gold Plating
 Insulator:PTFE,Natural
 Ferrule:Copper,Gold Plating
 Heat Shrink Tubing:Blak

Note:
 Impedance:50Ω
 Crimped Ferrule Hex Crimp Size 3.83
 Contact Pin To Solder
 Max. Panel Thickness=3.2mm

ANGLE TOLERANCE	PROJECTION	Description:	Panel Mount SMA Cable Connector Straight (Jack,Female,50Ω)	
±3°				
GENERAL TOLERANCE	UNITS	mm	KLS P/N: L-KLS1-SMA008	
x.x ±0.30	SHEET SIZE	A4	NingBo KLS ELECTRONIC CO.,L TD.	
x.xx ±0.20	Draw:	Daniel		2020-11-11
x.xxx ±0.10	Check:	Daniel		2020-11-11