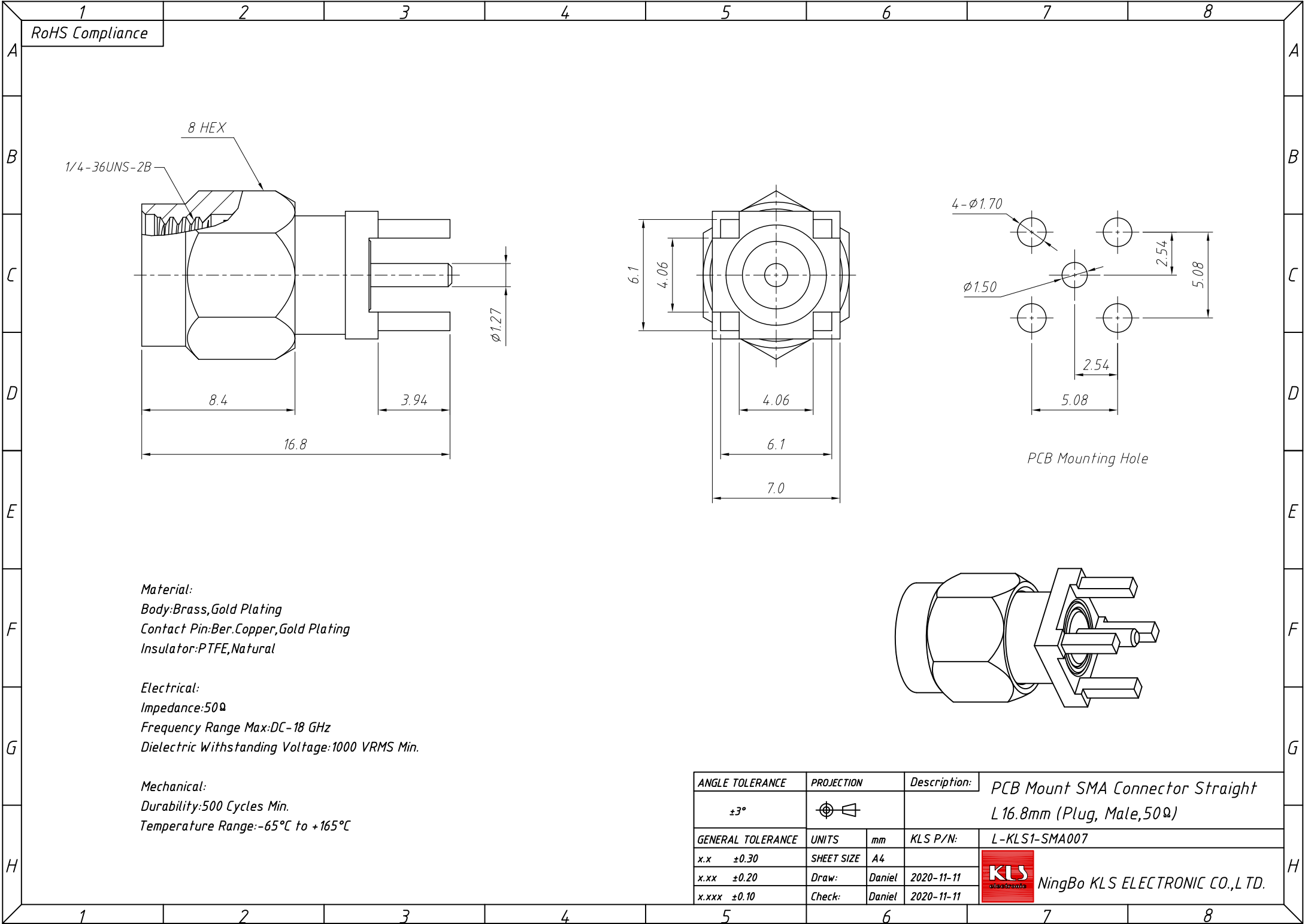


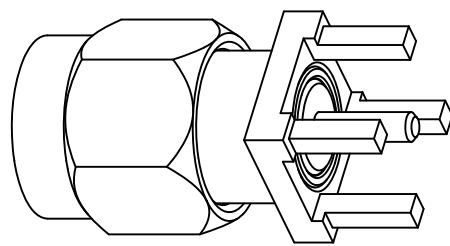
1
RoHS Compliance



Material:
 Body: Brass, Gold Plating
 Contact Pin: Ber. Copper, Gold Plating
 Insulator: PTFE, Natural

Electrical:
 Impedance: 50Ω
 Frequency Range Max: DC - 18 GHz
 Dielectric Withstanding Voltage: 1000 VRMS Min.

Mechanical:
 Durability: 500 Cycles Min.
 Temperature Range: -65°C to +165°C



| | | | |
|-------------------|------------|--------------|----------------------------------|
| ANGLE TOLERANCE | PROJECTION | Description: | PCB Mount SMA Connector Straight |
| ±3° | | | L 16.8mm (Plug, Male, 50Ω) |
| GENERAL TOLERANCE | UNITS | mm | KLS P/N: L-KLS1-SMA007 |
| x.x ±0.30 | SHEET SIZE | A4 | NingBo KLS ELECTRONIC CO.,L TD. |
| x.xx ±0.20 | Draw: | Daniel | |
| x.xxx ±0.10 | Check: | Daniel | |