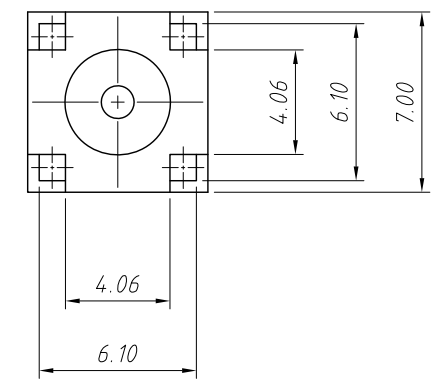
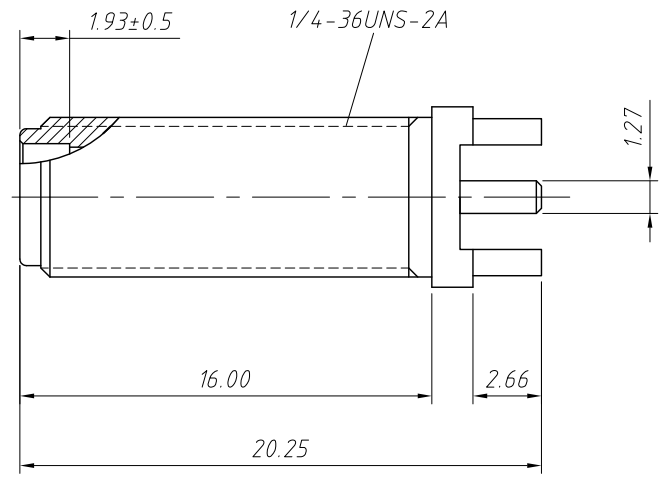
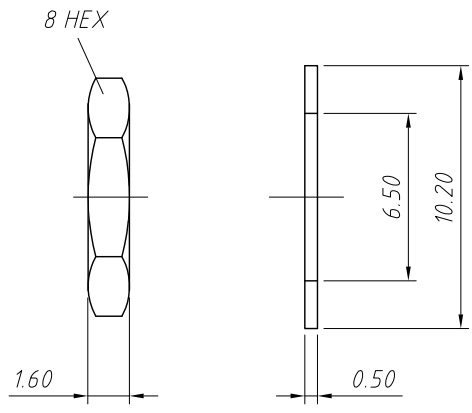


1  
RoHS Compliance

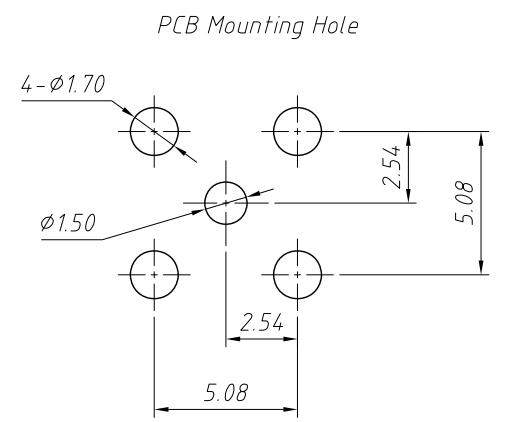


**Material:**  
 Body:Brass,Gold Plating  
 Insulator:PTFE,Natural  
 Contact Pin:Ber.Copper,Gold Plating  
 Lock Washer:Brass,Gold Plating  
 Hex Nut:Brass,Gold Plating

**Electrical:**  
 Impedance:50Ω  
 Dielectric Withstanding Voltage:1000 VRMS Min.

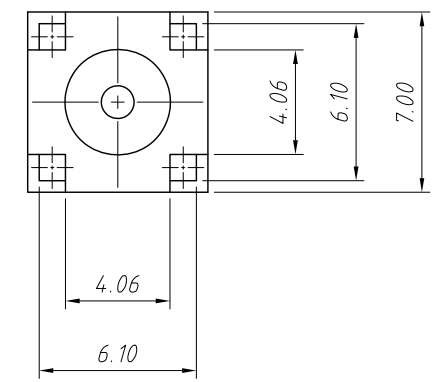
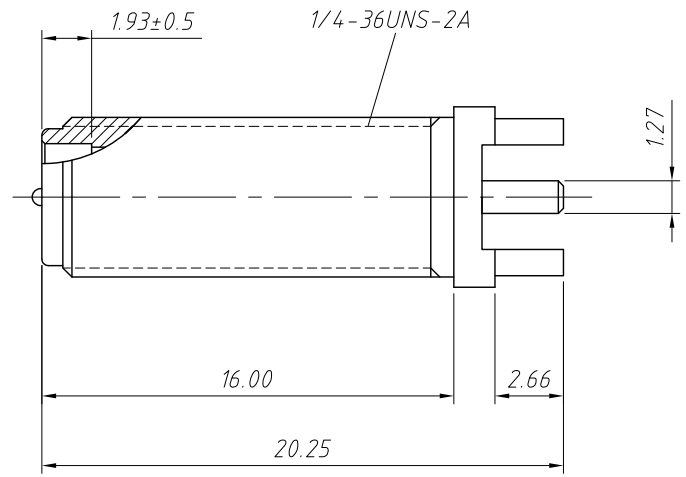
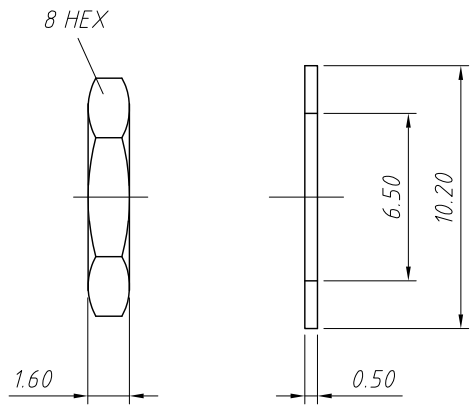
**Mechanical:**  
 Durability:500 Cycles Min.  
 Temperature Range:-65°C to +165°C

**Note:**  
 Max.Panel Thickness=7.5mm



ANGLE TOLERANCE	PROJECTION	Description:	PCB Mount SMA Connector Straight (Jack,Female & Male ,50Ω)	
±3°				
GENERAL TOLERANCE	UNITS	mm	KLS P/N:	L-KLS1-SMA001K (Female)
x.x ±0.30	SHEET SIZE	A4		
x.xx ±0.20	Draw:	Daniel	2020-11-11	NingBo KLS ELECTRONIC CO.,LTD.
x.xxx ±0.10	Check:	Daniel	2020-11-11	

1  
RoHS Compliance

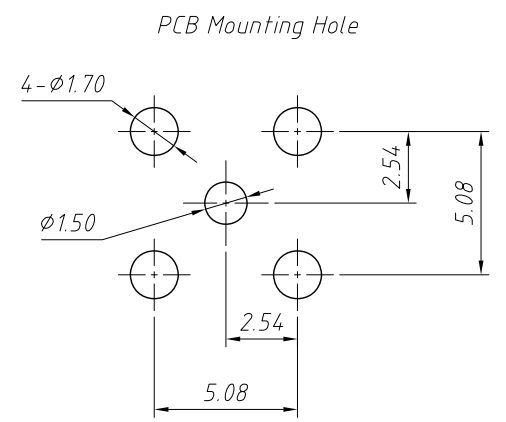


**Material:**  
 Body:Brass,Gold Plating  
 Insulator:PTFE,Natural  
 Contact Pin:Ber.Copper,Gold Plating  
 Lock Washer:Brass,Gold Plating  
 Hex Nut:Brass,Gold Plating

**Electrical:**  
 Impedance:50Ω  
 Dielectric Withstanding Voltage:1000 VRMS Min.

**Mechanical:**  
 Durability:500 Cycles Min.  
 Temperature Range:-65°C to +165°C

**Note:**  
 Max.Panel Thickness=7.5mm



ANGLE TOLERANCE	PROJECTION	Description:	PCB Mount SMA Connector Straight (Jack,Female & Male ,50Ω)	
±3°				
GENERAL TOLERANCE	UNITS	mm	KLS P/N:	L-KLS1-SMA001KB (Male)
x.x ±0.30	SHEET SIZE	A4		
x.xx ±0.20	Draw:	Daniel	2020-11-11	NingBo KLS ELECTRONIC CO.,LTD.
x.xxx ±0.10	Check:	Daniel	2020-11-11	