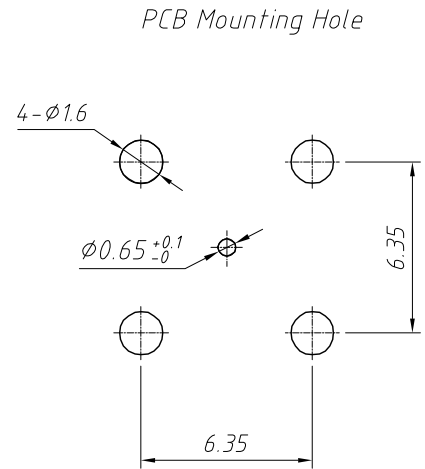
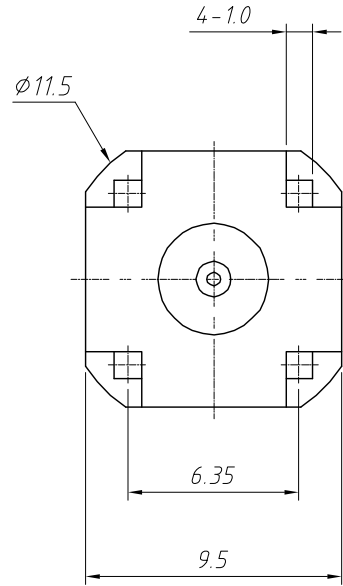
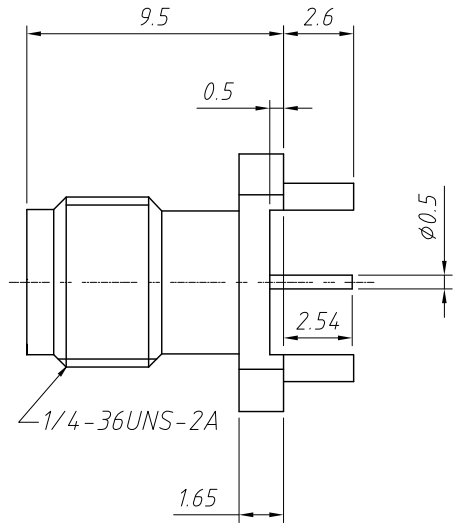


1  
RoHS Compliance

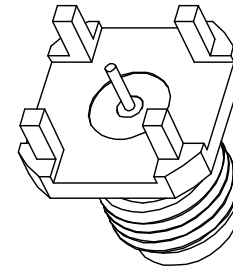


**Material:**

- 1.Body:Brass,Gold Plating
- 2.Insulator:PTFE
- 3.Center Contact:Beryllium Copper,Gold Plating

**Electrical:**

- Characteristic Impedance:50Ω
- Working voltage:335V
- Frequency Range:DC-6.0 GHz
- Dielectric withstanding voltage:1000V
- Contact resistance:Center contact  $\leq 3m\Omega$  / Outer contact:  $\leq 2m\Omega$
- Insulation resistance:  $\geq 5000M\Omega$
- High temp . Process Statement:  
230°C for 30 to 60 Seconds and 230°C for 10 Seconds
- This component and Its homogeneos subcomponents are RoHS compliant.



ANGLE TOLERANCE	PROJECTION	Description:	PCB Mount SMA Connector Straight (Jack,Female,50Ω)	
±3°				
GENERAL TOLERANCE	UNITS	mm	KLS P/N: L-KLS1-SMA001M	
x.x ±0.30	SHEET SIZE	A4	NingBo KLS ELECTRONIC CO.,L TD.	
x.xx ±0.20	Draw:	Daniel		2020-11-11
x.xxx ±0.10	Check:	Daniel		2020-11-11