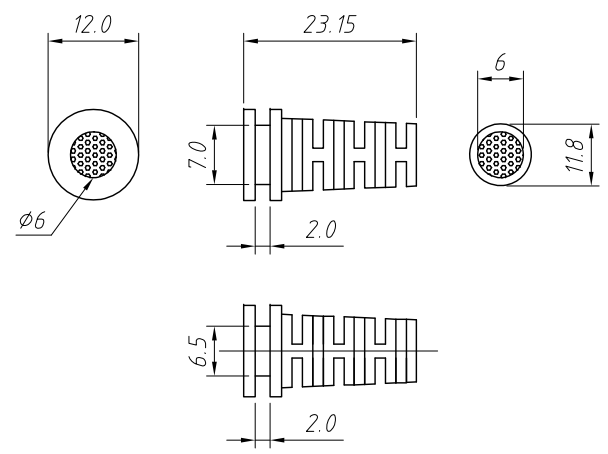
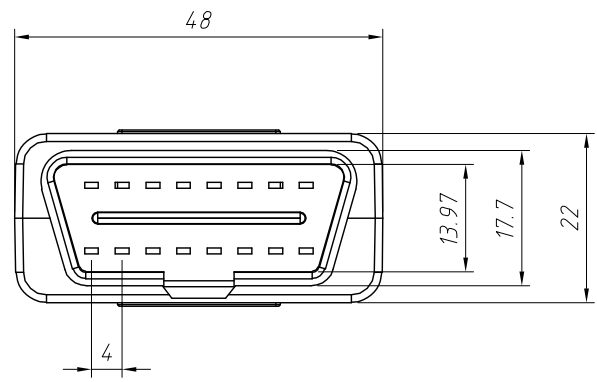
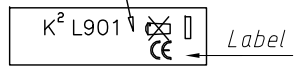
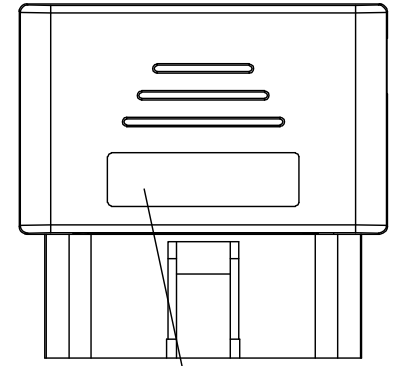
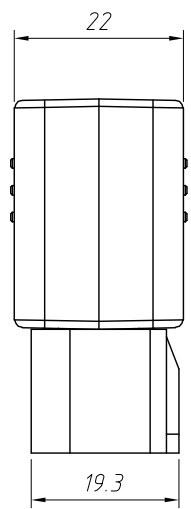
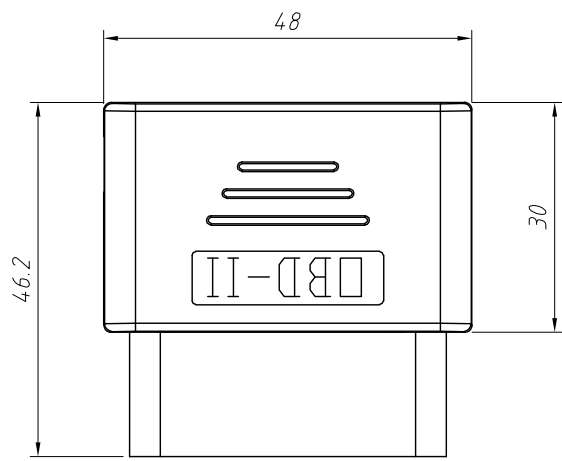
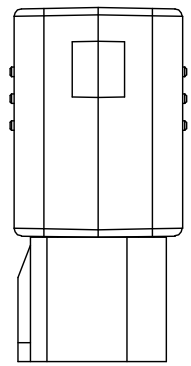


1
RoHS Compliance



Material:
 1.Cover: ABS 94V-0, Color:Black
 2.Connector:PBT 94V-0,Color:Black
 3.Terminal:Brass, Nickel plated
 4.General Tolerance:±0.5mm

Electrical Characteristics:
 Dielectric Strength:1000V AC/1 Minute
 Contact Resistance:100mΩ Max
 Insulator Resistance:500VDC,100MΩ Min

Rateing and Application Wire:
 Rated Voltage : 30V Max
 Rated Current:5Amps,Wire Insulation OD:φ1.2~φ2.6
 Ambient Temperature Range:-40°C ~ +85°C

ANGLE TOLERANCE	PROJECTION	Description:		
±3°		OBD II 16P Male Assemblies Type		
GENERAL TOLERANCE	UNITS	mm	KLS P/N:	L-KLS1-OBDII-16MLB
x.x ±0.30	SHEET SIZE	A4		
x.xx ±0.20	Draw:	Daniel	2020-11-11	
x.xxx ±0.10	Check:	Daniel	2020-11-11	

NingBo KLS ELECTRONIC CO.,L.TD.