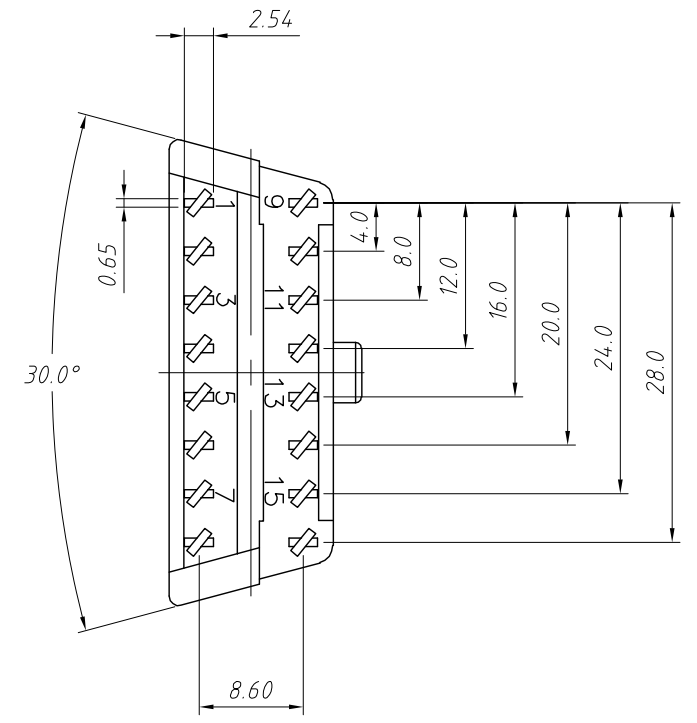
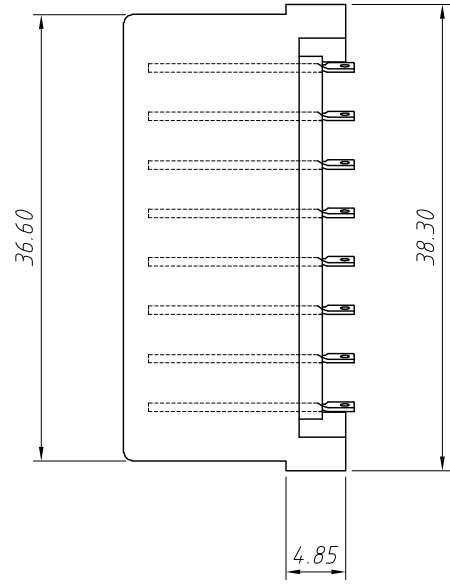
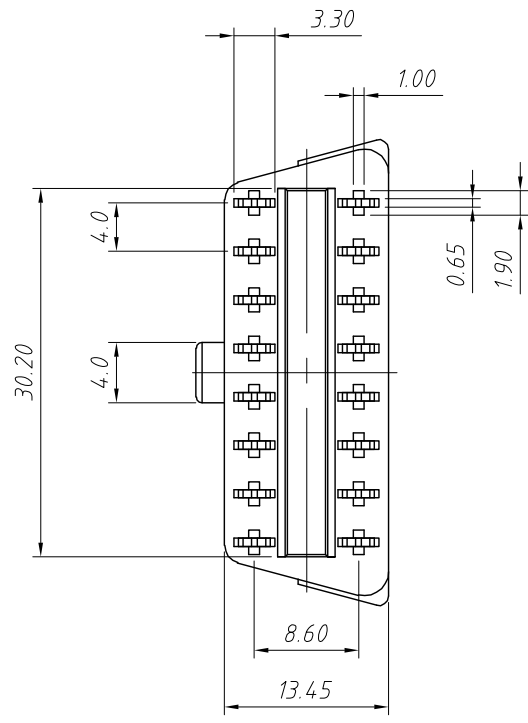


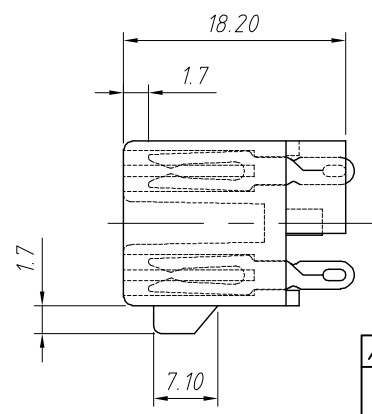
1
RoHS Compliance



Material:
 1.Housing:PBT+30%Glass drill,UL 94V-0,Color Black
 2.Terminal:Brass, Nickel plated

Electrical Characteristics:
 Dielectric Strength:1000V AC/1 Minute
 Contact Resistance:100mΩ Max
 Insulator Resistance:500VDC, 100MΩ Min

Rating and Application Wire:
 Rated current: 5 Amps
 Rated Current:5Amps,Wire Insulation OD:φ1.2~φ2.6
 Ambient Temperature Range:-20°C ~ +85°C



ANGLE TOLERANCE	PROJECTION	Description:		
±3°		OBD II 16P Female Assemblies Type		
GENERAL TOLERANCE	UNITS	mm	KLS P/N:	L-KLS1-OBDDII-16-F
x.x ±0.30	SHEET SIZE	A4		
x.xx ±0.20	Draw:	Daniel	2020-11-11	NingBo KLS ELECTRONIC CO.,L TD.
x.xxx ±0.10	Check:	Daniel	2020-11-11	