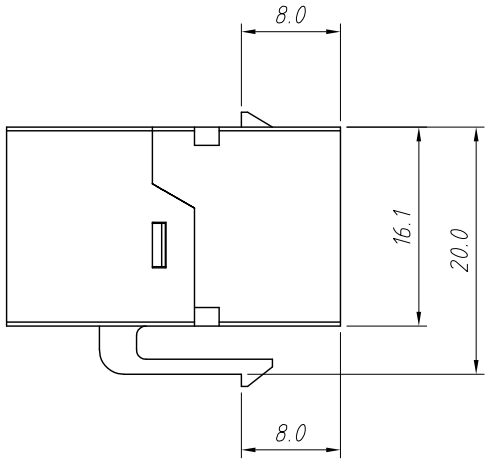
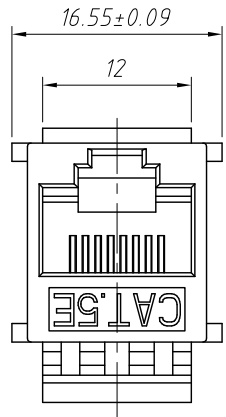


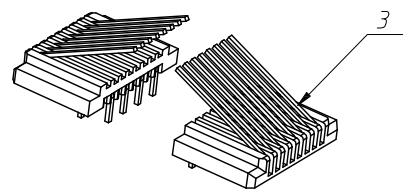
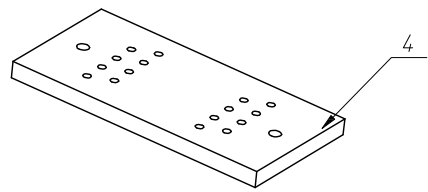
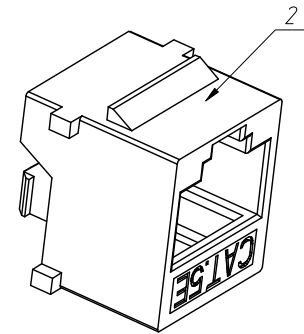
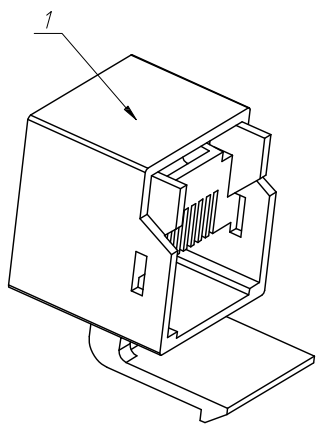
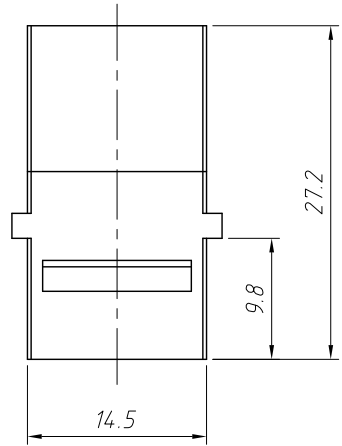
1
RoHS Compliance



- MECHANICAL**
- 1.1208 Through Socket:CAT5E,Alloy black
 - 2.1208 Through Plug:CAT5E,Alloy black
 - 3.QG 8 Cores Print:Pin frame:Black 2PCS /
Gold needle:QG Related Plating 6U"
 - 4.PCB board:1208ZT

- ELECTRICAL**
- 1.Suitable wire diameter: $\phi 0.35 - \phi 0.65\text{mm}$
 - 2.Contact Resistance:20m Ω MAX
 - 3.Insulation Resistance:500M Ω Min
 - 4.Withstand Voltage:DC 1000V/AC700V 1Min
 - 5.Transmission performance:In line with
ANSI/TIA 568C CAT5E.

The parts have no obvious defects such as flash, shrinkage mark, lack of material and crack;
The coating shall be bright and clean without blistering, delamination, blackening, pitting and other defects;



ANGLE TOLERANCE	PROJECTION	Description:	
$\pm 3^\circ$		AMP Model RJ45 keystone Jack	
GENERAL TOLERANCE	UNITS	mm	KLS P/N:
x.x ± 0.30	SHEET SIZE	A4	L-KLS12-DK8018-CAT5E
x.xx ± 0.20	Draw:	Daniel	2020-11-11
x.xxx ± 0.10	Check:	Daniel	2020-11-11

