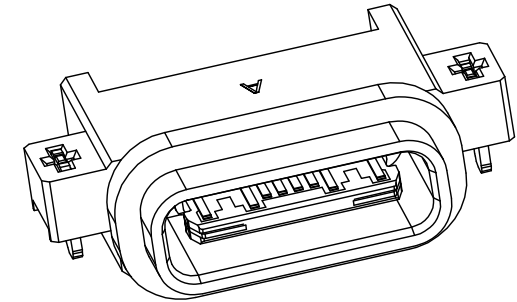
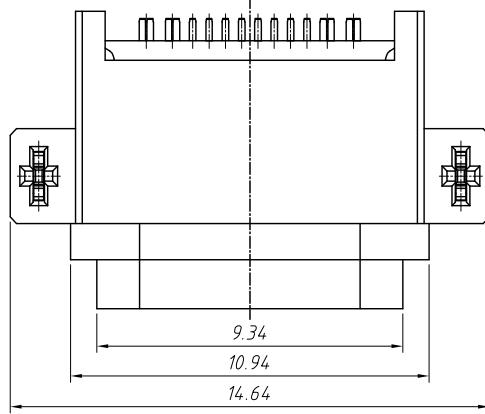
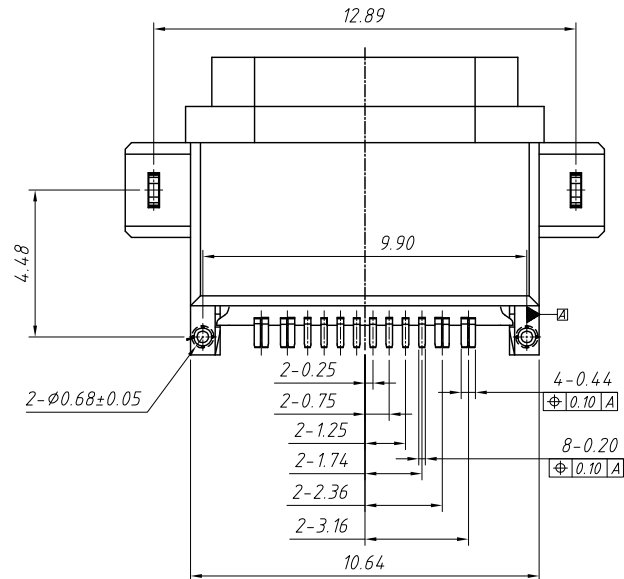
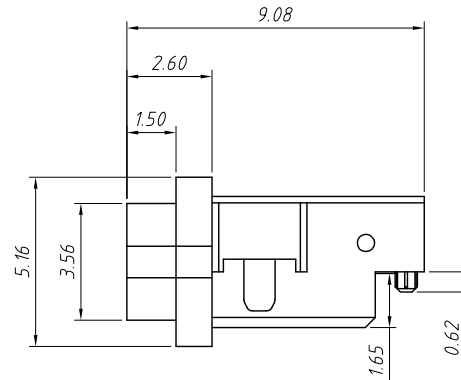
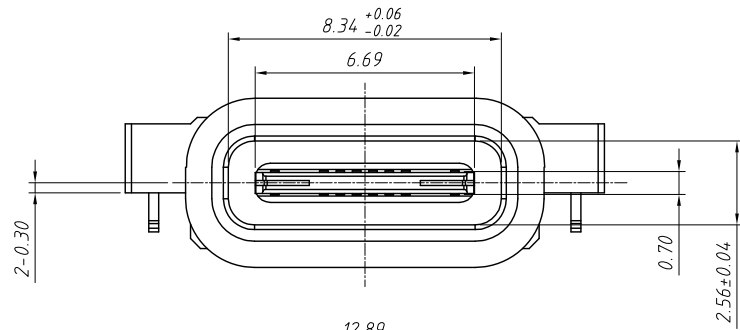
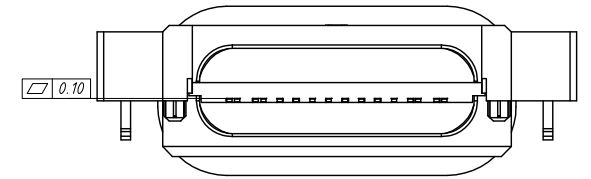


1 RoHS Compliance



3D VIEW

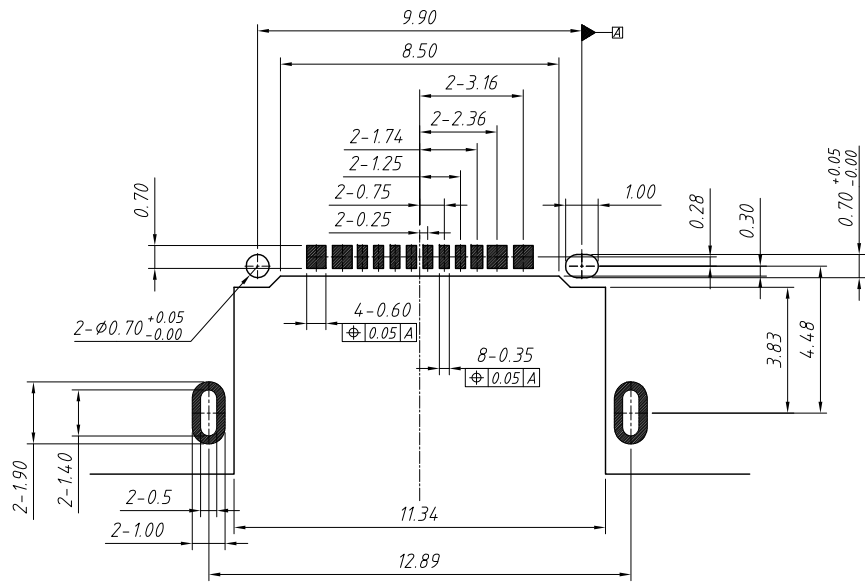


Material:
 Housing: Nylon Plastic
 Over Molding: Nylon Plastic
 Solder Plate: SUS304 Plated
 Solders Nickel

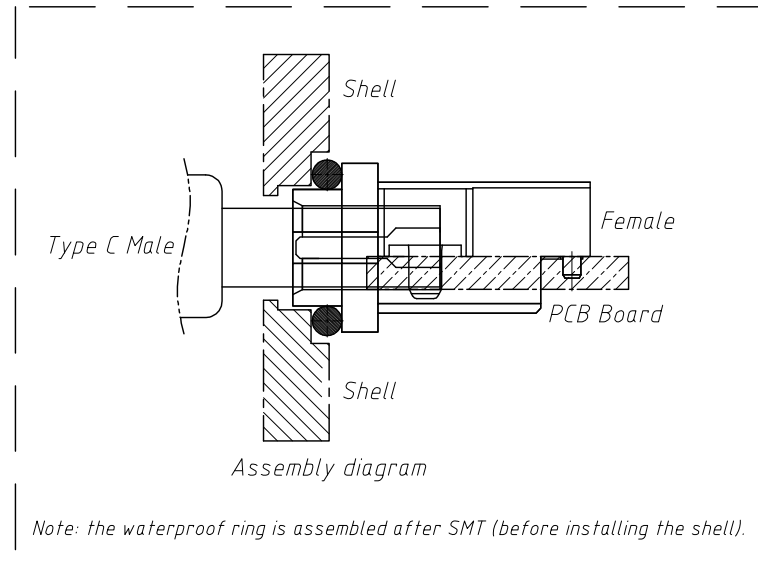
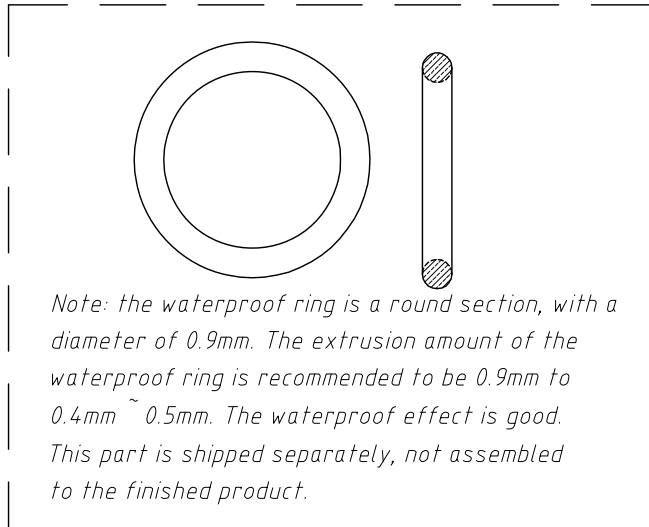
Electrical Characteristics:
 Voltage/Current Rating: 4V/3.0A
 Dielectric Withstanding Voltage: 100VAC
 Temperature Range: -30°C ~ +85°C
 Contact Resistance: 40mΩ Max
 Insulator Resistance: 100MΩ Min
 Initial Insertion Force: 5-20N;
 Extaction Force: 8-20N
 After Durability: 10000 Cycles, Insertion Force 5-20N, Extaction Force: 6-20N
 Waterproof Grade: IPX7

ANGLE TOLERANCE	PROJECTION	Description:	
±3°		USB Type-C 16P SMT IPX7 Waterproof Connector	
GENERAL TOLERANCE	UNITS	mm	KLS P/N: L-KLS1-PUB-001
x.x ±0.30	SHEET SIZE	A4	NingBo KLS ELECTRONIC CO.,LTD.
x.xx ±0.20	Draw:	Daniel	
x.xxx ±0.10	Check:	Daniel	

1
RoHS Compliance



Recommended PCB Layout (Top View)
Thickness T=1.0mm
Default Tolerance ±0.05



ANGLE TOLERANCE	PROJECTION	Description:	
±3°		USB Type-C 16P SMT IPX17 Waterproof Connector	
GENERAL TOLERANCE	UNITS	mm	KLS P/N: L-KLS1-PUB-001
x.x ±0.30	SHEET SIZE	A4	NingBo KLS ELECTRONIC CO.,LTD.
x.xx ±0.20	Draw:	Daniel 2020-11-11	
x.xxx ±0.10	Check:	Daniel 2020-11-11	