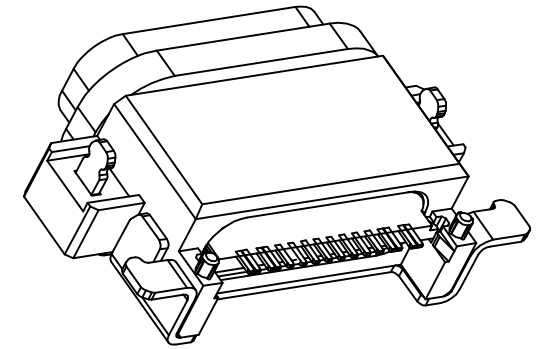
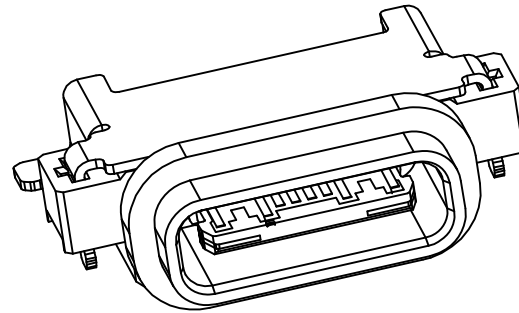
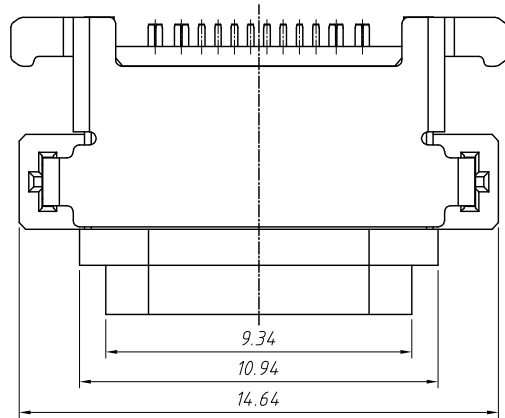
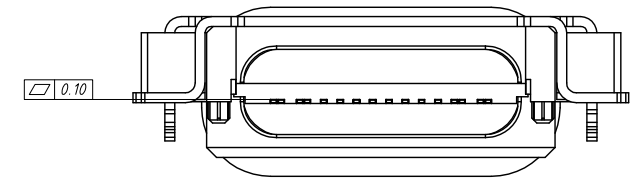
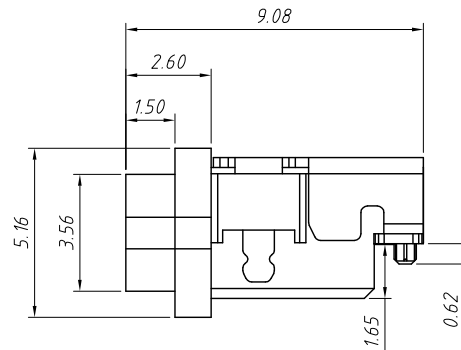
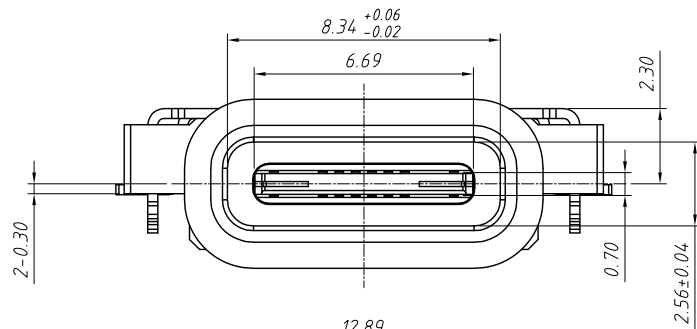


1 RoHS Compliance

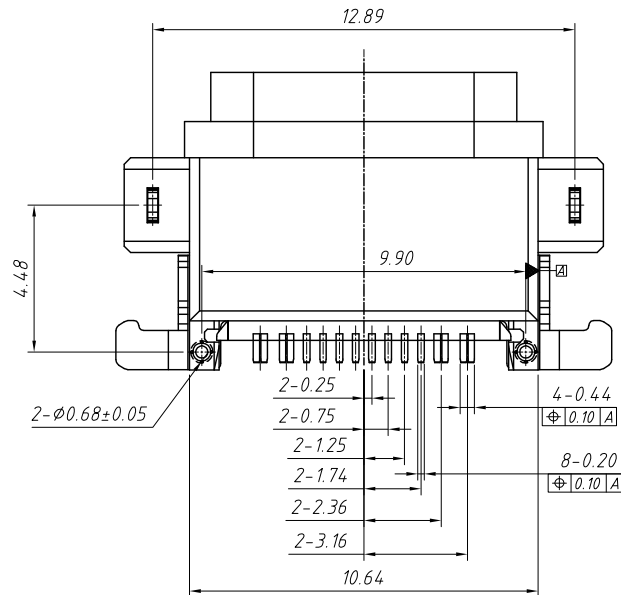


3D VIEW



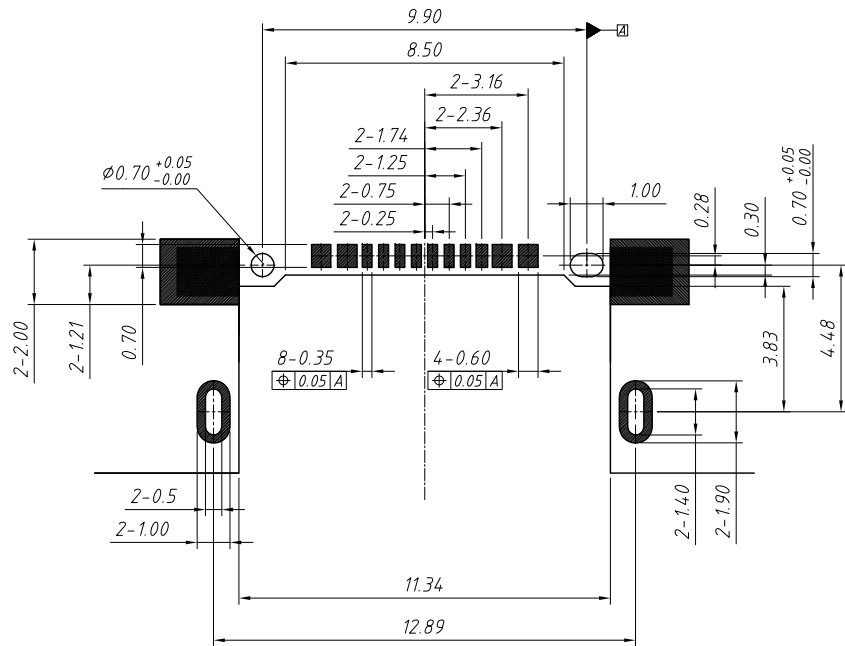
Electrical Characteristics:
 Voltage/Current Rating:5V/3.0A
 Dielectric Withstanding Voltage:100VAC
 Temperature Range: -30°C ~ + 85°C
 Contact Resistance:40mΩ Max
 Insulator Resistance:100MΩ Min
 Initial Insertion Force:5-20N;
 Extaction Force:8-20N
 After Durability:5000 Cycles,
 Insertion Force 5-20N ,
 Extaction Force:6-20N
 Waterproof Grade:IPX7

Material:
 Housing:Nylon Plastic
 Over Molding1:Nylon Plastic
 Outer Shell T3:SUS304 Plated
 Solder Able Nickel



ANGLE TOLERANCE	PROJECTION	Description:	USB Type-C 16P SMT IPX7 Waterproof Connector With Shell T3
±3°			
GENERAL TOLERANCE	UNITS	mm	KLS P/N: L-KLS1-PUB-002
x.x ±0.30	SHEET SIZE	A4	NingBo KLS ELECTRONIC CO.,L TD.
x.xx ±0.20	Draw:	Daniel 2020-11-11	
x.xxx ±0.10	Check:	Daniel 2020-11-11	

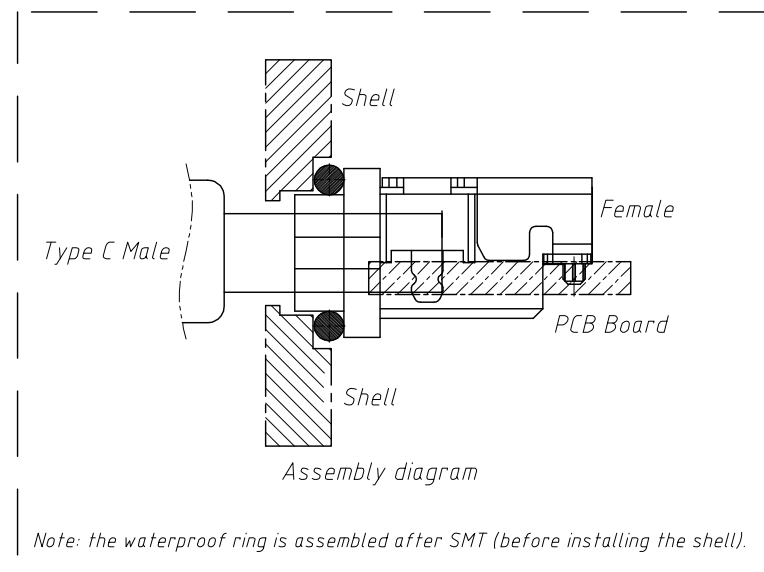
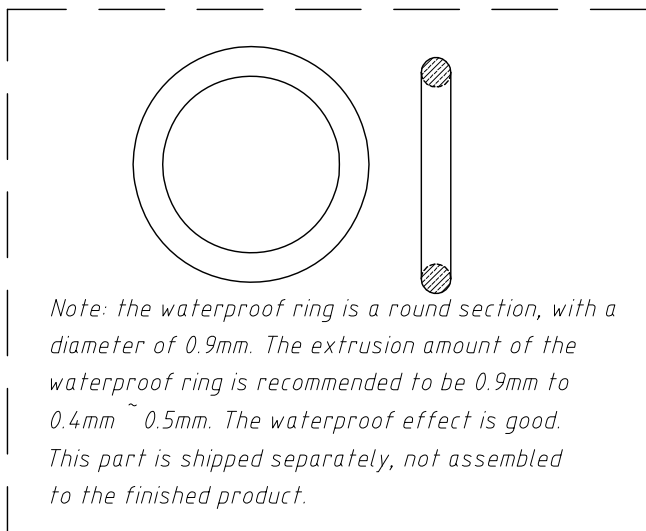
1 RoHS Compliance



Recommended PCB Layout (Top View)

Thickness $T=1.0\text{mm}$

Default Tolerance ± 0.05



ANGLE TOLERANCE	PROJECTION	Description:	USB Type-C 16P SMT IPX7 Waterproof Connector With Shell T3
$\pm 3^\circ$			
GENERAL TOLERANCE	UNITS	mm	KLS P/N: L-KLS1-PUB-002
x.x ± 0.30	SHEET SIZE	A4	
x.xx ± 0.20	Draw:	Daniel	2020-11-11
x.xxx ± 0.10	Check:	Daniel	2020-11-11

