

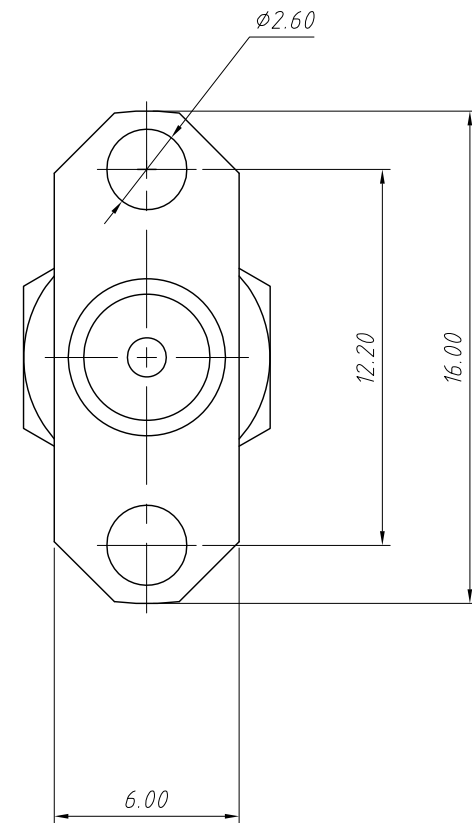
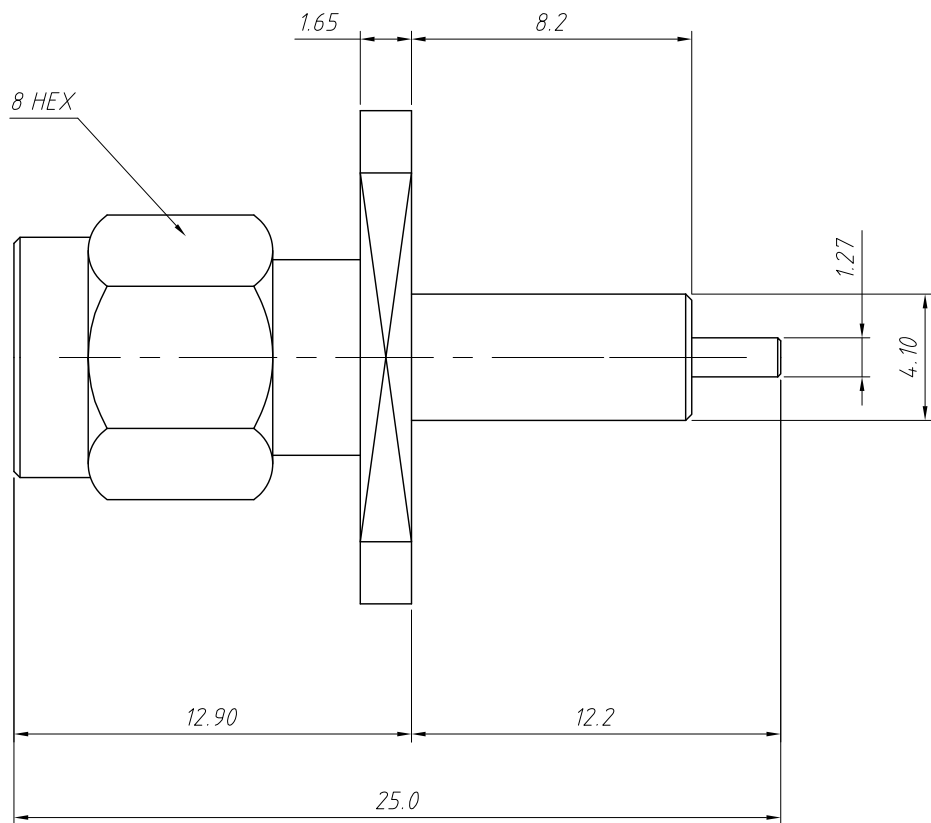
Technical parameters:

1. Characteristic impedance of joint: 50m Ω
2. Joint surface: gold plating
3. Mechanical demand: 500 times

Material:

Body: Brass ,Gold Plating
 Insulator: TEFLON,Natural
 Contact Pin: Brass,Gold Plating

| GENERAL TOLERANCE | PROJECTION | | Description: |
|-------------------|------------|------------|---|
| .X ±0.50 | UNITS | mm | Panel Mount SMA Connector Straight (Plug, Male,50 Ω) L30.8mm |
| .X ±0.25 | SCALE | 1:1 | |
| .XX ±0.10 | Draw by: | Jenny | |
| ANGLE TOLERANCE | Check by: | | KLS P/N: L-KLS1-SMA022A-L30.8 |
| .X ±5° | Date | 2018-03-01 | NingBo KLS ELECTRONIC CO.,L TD. |
| .X ±3° | SHEET | 1 OF 1 | |
| .XX ±2° | | | |



Technical parameters:

1. Characteristic impedance of joint: 50Ω
2. Joint surface: gold plating
3. Mechanical demand: 500 times

Material:

Body: Brass ,Gold Plating
 Insulator: TEFLON,Natural
 Contact Pin: Brass,Gold Plating

| GENERAL TOLERANCE | PROJECTION | | Description: |
|-------------------|------------|------------|---|
| .X ± 0.50 | UNITS | mm | Panel Mount SMA Connector Straight (Plug, Male, 50Ω) L25mm |
| .X ± 0.25 | SCALE | 1:1 | |
| .XX ± 0.10 | Draw by: | Jenny | |
| ANGLE TOLERANCE | Check by: | | KLS P/N: L-KLS1-SMA022A-L25 |
| .X $\pm 5^\circ$ | Date | 2018-03-01 | NingBo KLS ELECTRONIC CO.,L TD. |
| .X $\pm 3^\circ$ | SHEET | 1 OF 1 | |
| .XX $\pm 2^\circ$ | | | |