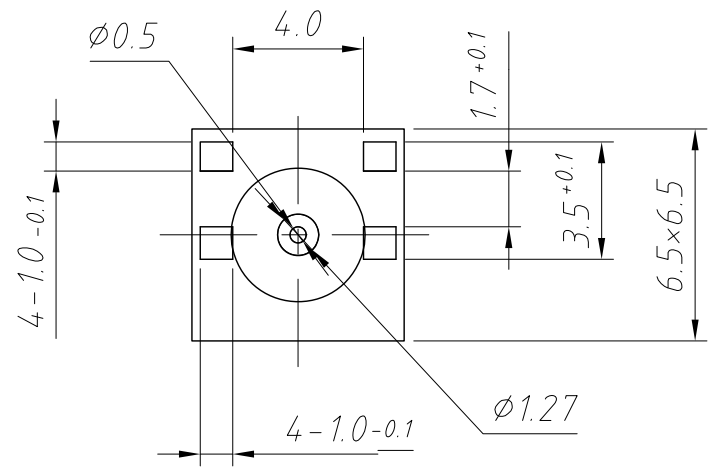
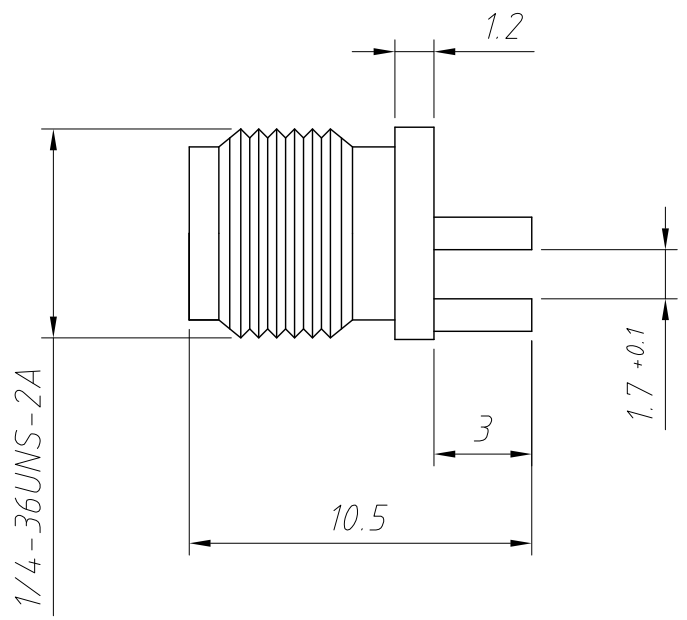
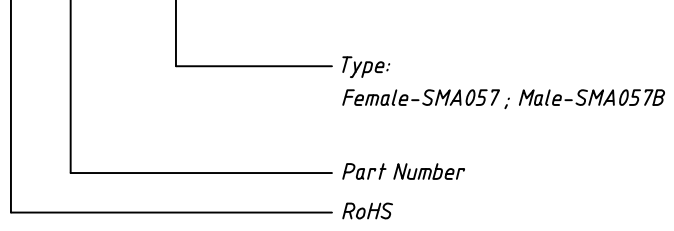


1
RoHS Compliance



Order Information
L-KLS1-SMA057



Material:
Body:RoHS Brass
Plating:Gold plated

Electrical Specifications:
Impedance:50Ω
Working frequency:0-3GHz
Durability:500Cycles Min.

ANGLE TOLERANCE	PROJECTION	Description:	PCB Edge Mount End Launch SMA Connector Straight (Jack, Female & Male,50Ω)
±3°			
GENERAL TOLERANCE	UNITS	mm	KLS P/N: L-KLS1-SMA057 & L-KLS1-SMA057B
x.x ±0.30	SHEET SIZE	A4	
x.xx ±0.20	Draw:	Daniel	2020-11-11
x.xxx ±0.10	Check:	Daniel	2020-11-11

