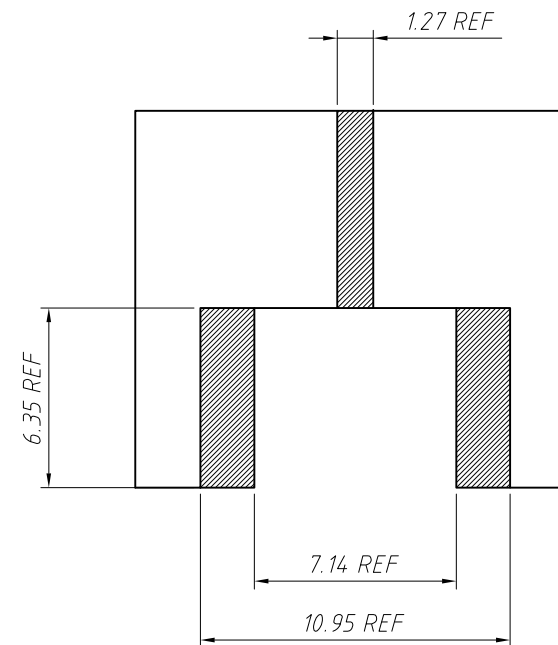
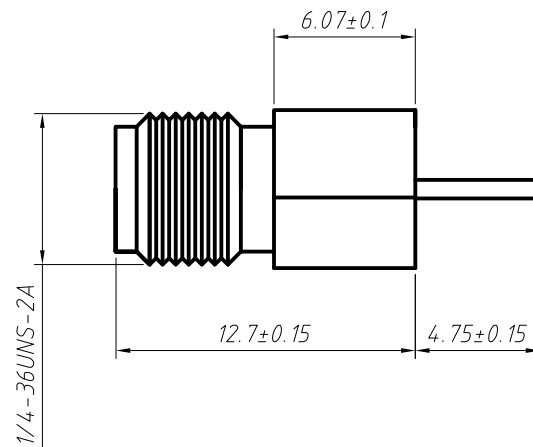
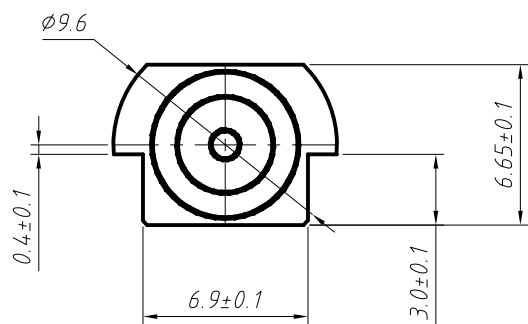


All burrs must be removed unless otherwise specified. Other



Material:
Insulator: PTFE
Connector: Gold-plated

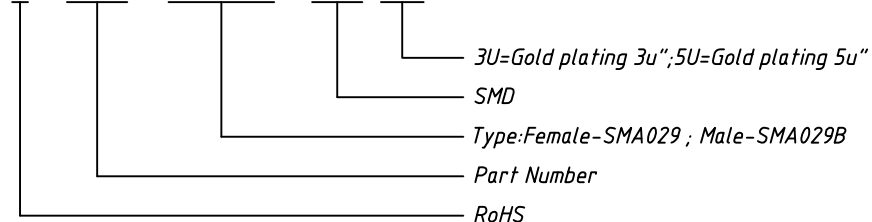
Electrical:
Impedance: 50 Ω
Durability: 500 Cycles Min.



RECOMMENDED PCB LAYOUT

Order Information

L - KLS1 - SMA029 - SMD-XX



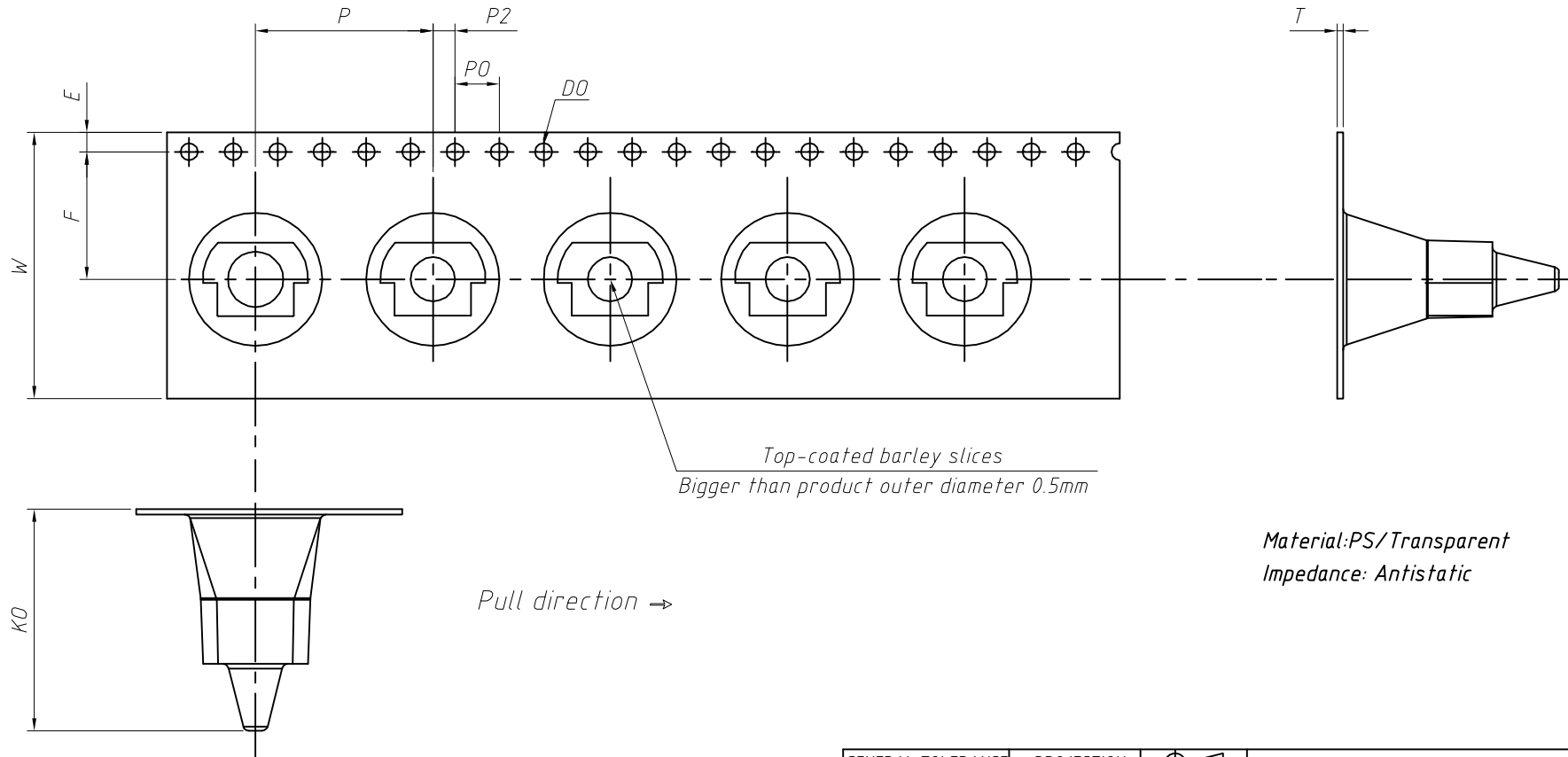
GENERAL TOLERANCE	PROJECTION	
.X ±0.50	UNITS	mm
.X ±0.25	SCALE	1:1
.XX ±0.10	Draw by:	Jenny
ANGLE TOLERANCE	Check by:	
.X ±5°	Date	2018-03-01
.X ±3°	SHEET	1 OF 1
.XX ±2°		

PCB Mount SMA Connector SMD
(Jack, Female & Male, 50Ω)

KLS P/N: L-KLS1-SMA029 & L-KLS1-SMA029B

NingBo KLS ELECTRONIC CO., L TD.

ITRM	W	A0	B0	K0	K1	P	F	E	DO	PO	P2	T
DIM	24.00	/	/	19.5	--	16.00	11.50	1.75	1.50	4.00	2.00	0.50
TOLE	±0.05	±0.15	±0.10	±0.10	±0.10	±0.10	±0.10	±0.10	±0.10	±0.10	±0.15	±0.05



GENERAL TOLERANCE	PROJECTION		
.X ±0.20	UNITS		mm
.X ±0.10	SCALE		1:1
.XX ±0.05	Draw by:	Jenny	
ANGLE TOLERANCE	Check by:		
.X ±4°	Date	2018-03-01	
.X ±2°	SHEET	1 OF 1	
.XX ±1°			

PCB Mount SMA Connector SMD
(Jack, Female & Male, 50Ω)

KLS P/N: L-KLS1-SMA029 & L-KLS1-SMA029B

NingBo KLS ELECTRONIC CO., L TD.