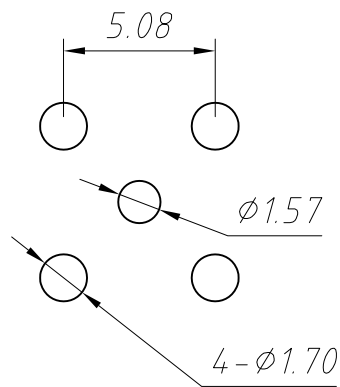
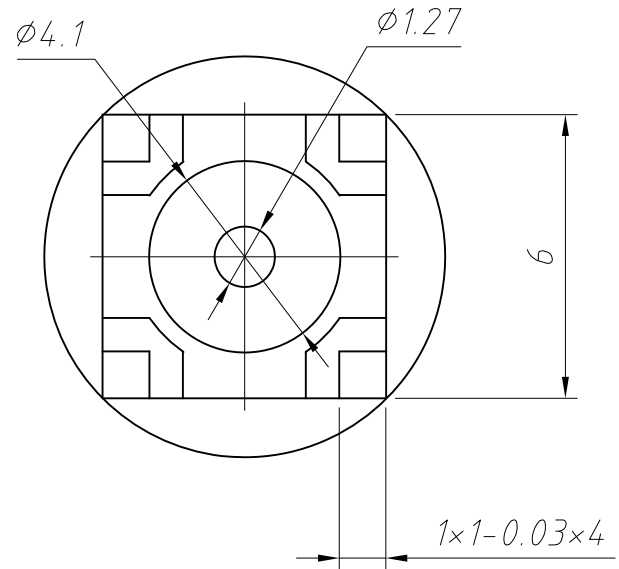
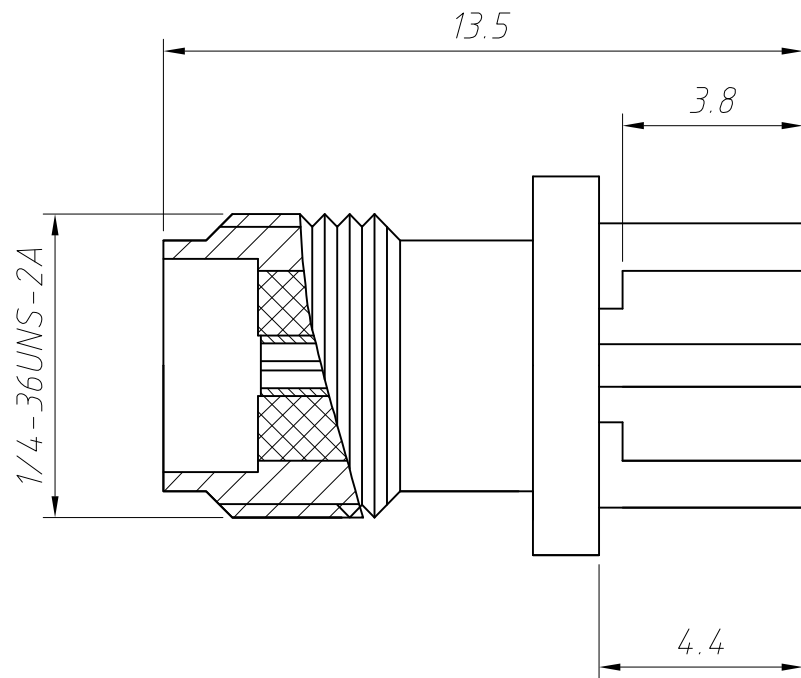


1  
RoHS Compliance



Mounting Hole Layout

Specifications:  
Impedance: 50  $\Omega$   
Material: Brass  
Insulation material: Teflon  
Durability: 500Cycles Min

ANGLE TOLERANCE	PROJECTION	Description:	PCB Mount SMA Connector With Jack Female Straight Type	
$\pm 3^\circ$				
GENERAL TOLERANCE	UNITS	mm	KLS P/N:	L-KLS1-SMA023
x.x $\pm 0.30$	SHEET SIZE	A4		
x.xx $\pm 0.20$	Draw:	Daniel	2018-07-10	NingBo KLS ELECTRONIC CO.,L TD.
x.xxx $\pm 0.10$	Check:	Daniel	2018-07-10	