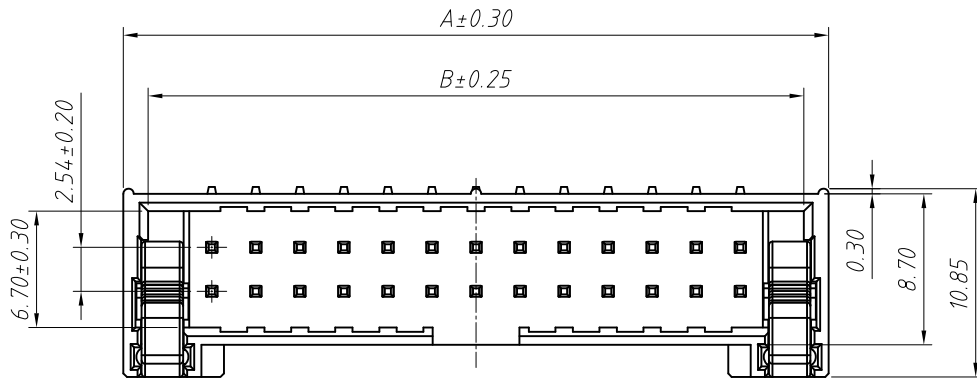


RoHS Compliance

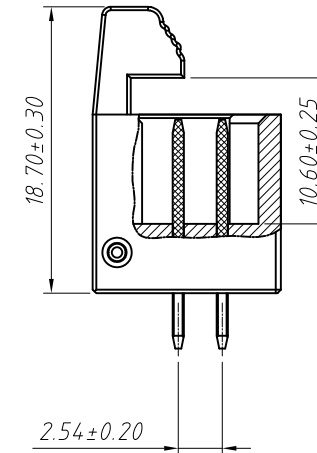
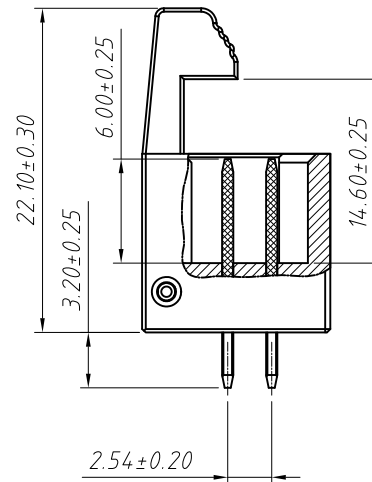
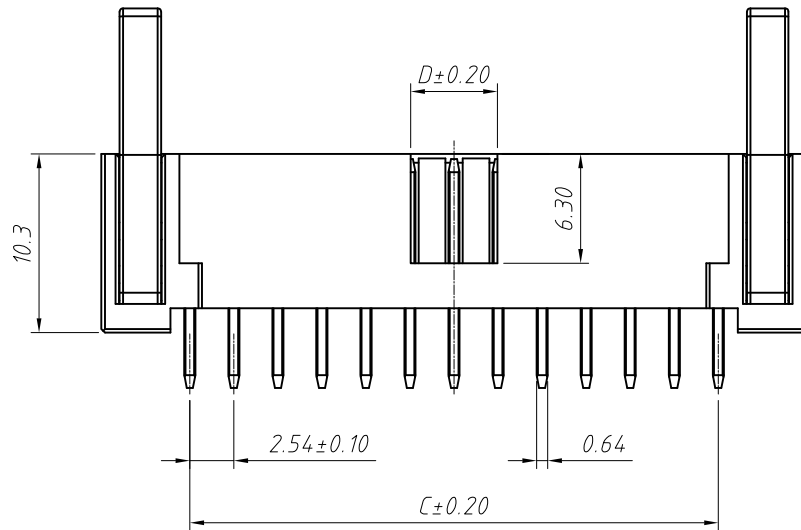


PINS	A	B	C	D
6	15.28	12.42	5.08	2.30
8	17.82	14.96	7.62	2.30
10	20.36	17.50	10.16	5.00
12	22.90	20.04	12.70	5.00
14	25.44	22.58	15.24	5.00
16	27.98	25.12	17.78	5.00
20	33.06	30.20	22.86	5.00
24	37.14	35.28	27.94	5.00
26	40.68	37.82	30.48	5.00
30	45.76	42.90	35.56	5.00
34	50.84	47.98	40.64	5.00
40	71.16	55.60	48.26	5.00
50	71.16	68.30	60.96	5.00
60	83.86	81.00	73.66	5.00
64	88.94	86.08	78.74	5.00

**Material:**  
Housing: PBT, UL 94V-0  
Contact: Brass  
Plating: Au or Sn Over Ni

**Electrical Characteristics:**  
Rated Current: 3.0AMP  
Contact Resistance: 20mΩ Max  
Withstand Voltage: 500V AC/DC  
Insulator Resistance: 1000MΩ Min

**Mechanical**  
Operating Temperature: -40°C ~ +105°C  
Max. Processing Temp: 180°C for 30-60 seconds (200°C for 10 seconds)

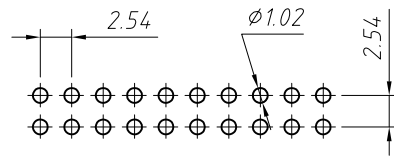


**Order Information:**  
L-KLS1-202F-XX-S-B-D-A

L: RoHS  
Box Header Series  
202F: 2.54mm Pitch  
XX-No. of 06 ~ 64 pin  
Type: S-Straight pin  
R-Right Angle Pin T-SMT  
Color: B-Black G-Gray  
Latch Type: D=Long Latch  
D1=Short Latch  
Material: A=PBT B=PA6T

D=Long Latch

D1=Short Latch



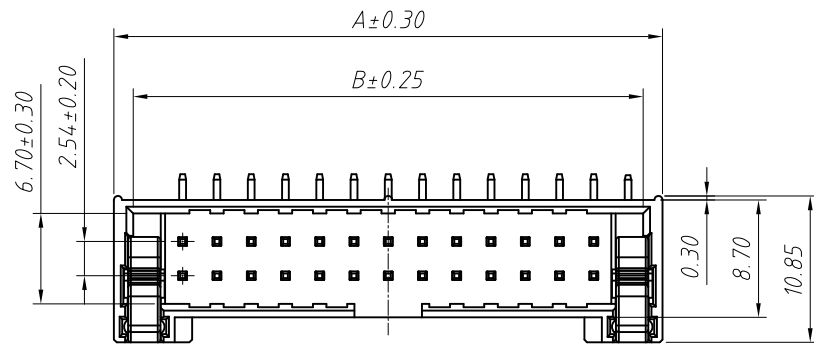
Recommended P.C.B Layout (Top Side)  
(PCB BOARD TOLERANCE ±0.05)

ANGLE TOLERANCE	PROJECTION	Description:
±3°		2.54mm Pitch Box Header Connector
GENERAL TOLERANCE	UNITS	mm
x.x ±0.30	SHEET SIZE	A4
x.xx ±0.20	Draw:	Daniel 2018-07-10
x.xxx ±0.10	Check:	Daniel 2018-07-10



NingBo KLS ELECTRONIC CO.,LTD.

RoHS Compliance



PINS	A	B	C	D
6	15.28	12.42	5.08	2.30
8	17.82	14.96	7.62	2.30
10	20.36	17.50	10.16	5.00
12	22.90	20.04	12.70	5.00
14	25.44	22.58	15.24	5.00
16	27.98	25.12	17.78	5.00
20	33.06	30.20	22.86	5.00
24	37.14	35.28	27.94	5.00
26	40.68	37.82	30.48	5.00
30	45.76	42.90	35.56	5.00
34	50.84	47.98	40.64	5.00
40	71.16	55.60	48.26	5.00
50	71.16	68.30	60.96	5.00
60	83.86	81.00	73.66	5.00
64	88.94	86.08	78.74	5.00

Material:

Housing: PBT, UL 94V-0

Contact: Brass

Plating: Au or Sn Over Ni

Electrical Characteristics:

Rated Current: 3.0AMP

Contact Resistance: 20mΩ Max

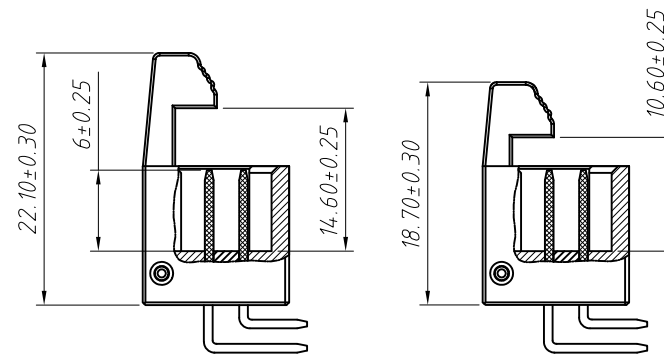
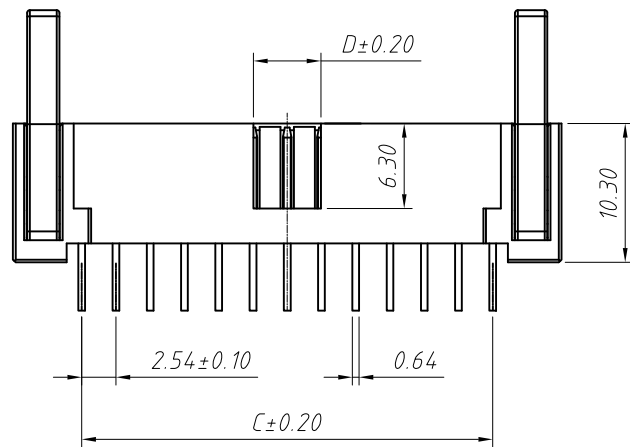
Withstand Voltage: 500V AC/DC

Insulator Resistance: 1000MΩ Min

Mechanical

Operating Temperature: -40°C ~ +105°C

Max. Processing Temp: 180°C for 30-60 seconds (200°C for 10 seconds)

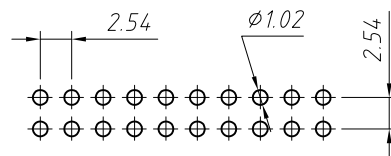
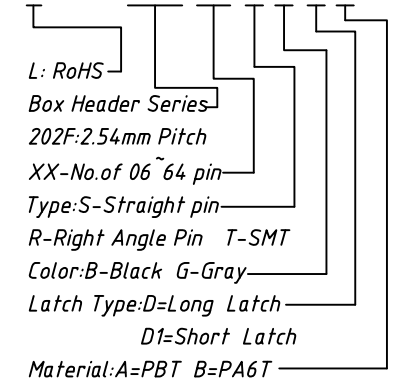


D=Long Latch

D1=Short Latch

Order Information:

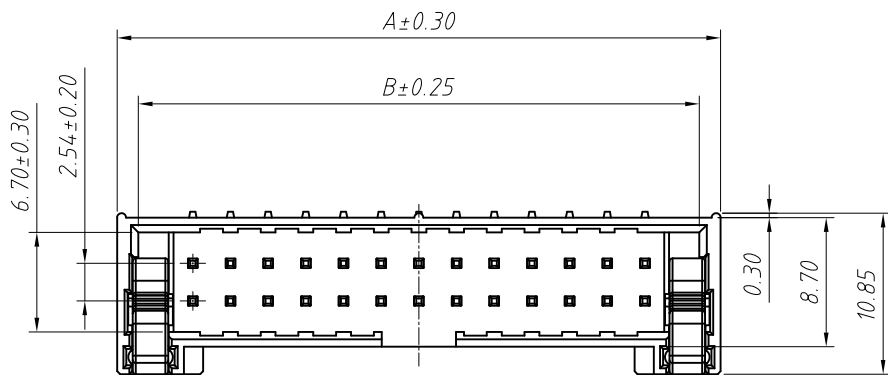
L-KLS1-202F-XX-R-B-D-A



Recommended P.C.B Layout (Top Side)  
(PCB BOARD TOLERANCE ±0.05)

ANGLE TOLERANCE	PROJECTION	Description:		
±3°		2.54mm Pitch Box Header Connector		
GENERAL TOLERANCE	UNITS	mm	KLS P/N:	L-KLS1-202F-XX-R-B-D-A
x.x ±0.30	SHEET SIZE	A4		
x.xx ±0.20	Draw:	Daniel	2018-07-10	NingBo KLS ELECTRONIC CO.,LTD.
x.xxx ±0.10	Check:	Daniel	2018-07-10	

RoHS Compliance



PINS	A	B	C	D
6	15.28	12.42	5.08	2.30
8	17.82	14.96	7.62	2.30
10	20.36	17.50	10.16	5.00
12	22.90	20.04	12.70	5.00
14	25.44	22.58	15.24	5.00
16	27.98	25.12	17.78	5.00
20	33.06	30.20	22.86	5.00
24	37.14	35.28	27.94	5.00
26	40.68	37.82	30.48	5.00
30	45.76	42.90	35.56	5.00
34	50.84	47.98	40.64	5.00
40	71.16	55.60	48.26	5.00
50	71.16	68.30	60.96	5.00
60	83.86	81.00	73.66	5.00
64	88.94	86.08	78.74	5.00

Material:

Housing:PA6T,UL94V-0

Contact:Brass

Plating:Au or Sn Over Ni

Electrical Characteristics:

Rated Current: 3.0AMP

Contact Resistance: 20mΩ Max

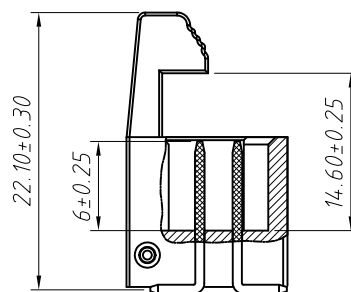
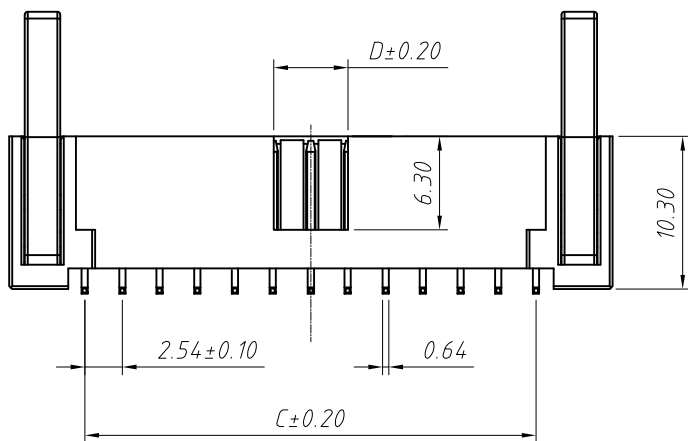
Withstand Voltage: 500V AC/DC

Insulator Resistance: 1000MΩ Min

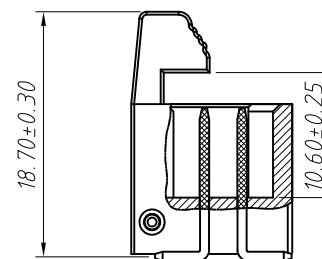
Mechanical

Operating Temperature: -40°C ~ +105°C

Max.Processing Temp:180°C for 30-60 seconds (200°C for 10 seconds)



D=Long Latch



D1=Short Latch

Order Information:

L-KLS1-202F-XX-T-B-D-B-T

L: RoHS

Box Header Series

202F:2.54mm Pitch

XX-No.of 06 ~ 64 pin

Type:S-Straight pin

R-Right Angle Pin T-SMT

Color:B-Black G-Gray

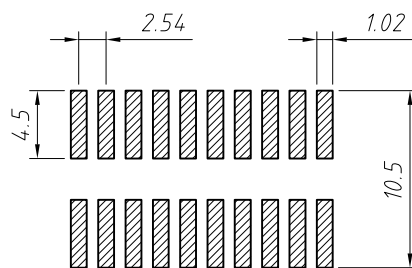
Latch Type:D=Long Latch

D1=Short Latch

Material:B=PA6T

Packing:

T=Tube P=Tube+Cap R=Reel+Cap



Recommended P.C.B Layout (Top Side)

(PCB BOARD TOLERANCE±0.05)

ANGLE TOLERANCE	PROJECTION	Description:		
±3°		2.54mm Pitch Box Header Connector		
GENERAL TOLERANCE	UNITS	mm	KLS P/N:	L-KLS1-202F-XX-T-B-D-B-T
x.x ±0.30	SHEET SIZE	A4		
x.xx ±0.20	Draw:	Daniel	2018-07-10	
x.xxx ±0.10	Check:	Daniel	2018-07-10	



NingBo KLS ELECTRONIC CO.,L TD.