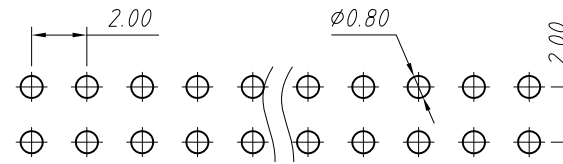
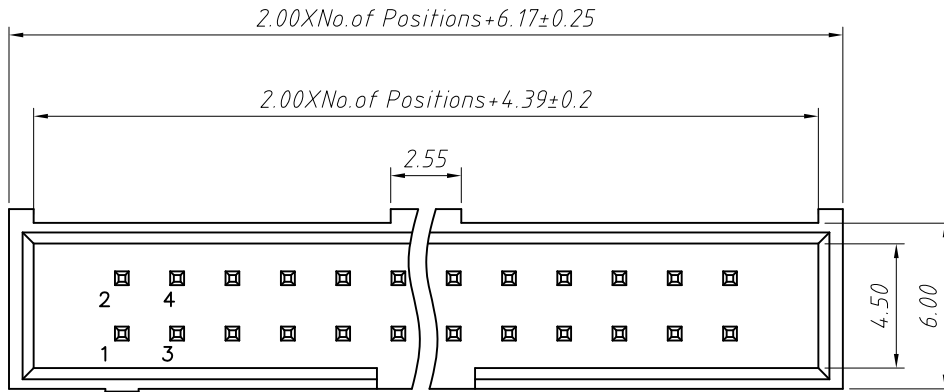


1 RoHS Compliance

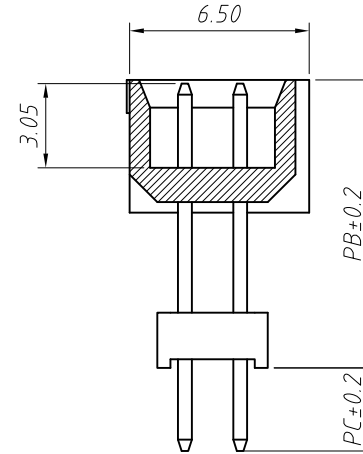
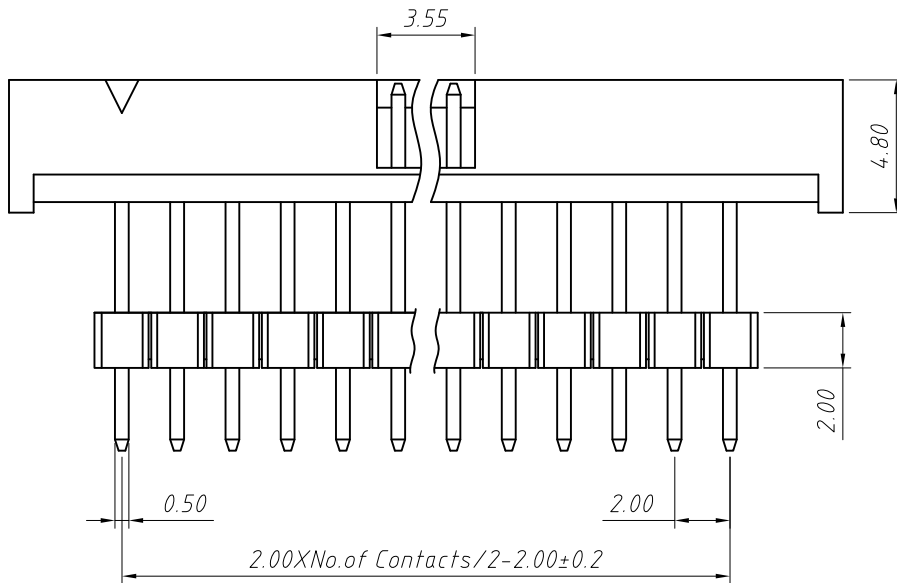


Recommended P.C.B Layout (Top Side)
(PCB BOARD TOLERANCE±0.05)

Material:
Housing:PA6T+30%G.F UL94V-0,Color:Black
Contact:Brass,0.8u"Min Gold Plating Over All
30u" Min Nickel Underplating Over All

Electrical Characteristics:
Rated Current: 2.0AMP
Contact Resistance: 20mΩ Max
Withstand Voltage: 500V AC/DC
Insulator Resistance: 1000MΩ Min

Mechanical
Operating Temperature: -40°C~+105°C
Max.Processing Temp:230°C for 30-60
seconds (260°C for 10 seconds)



Order Information:
L-KLS1-202JA-XX-S-B-PB×PC-B

L: RoHS
Box Header Series
202JA:2.00mm Pitch
XX-No.of 06~64 pin
Type:S-Straight pin
T-SMT
Color:B-Black G-Gray
Size:PB×PC
Material:B=PA6T C=LCP

Dimension antitheses list

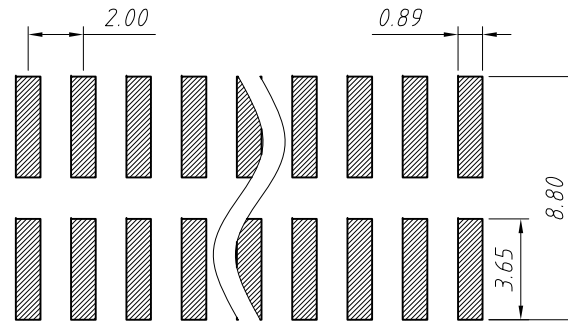
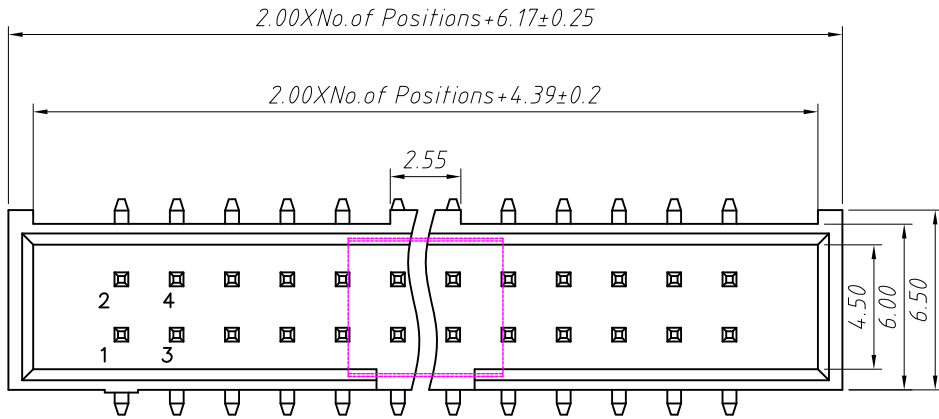
ITEM	PC	PB
Standard	3.0	---
Alternate	---	---

ANGLE TOLERANCE	PROJECTION	Description:
±3°		2.00mm Pitch Box Header Connector
GENERAL TOLERANCE	UNITS	mm
x.x ±0.30	SHEET SIZE	A4
x.xx ±0.20	Draw:	Daniel 2018-07-10
x.xxx ±0.10	Check:	Daniel 2018-07-10
KLS P/N:		L-KLS1-202JA-XX-S-B-PB×PC-B



NingBo KLS ELECTRONIC CO.,LTD.

1 RoHS Compliance

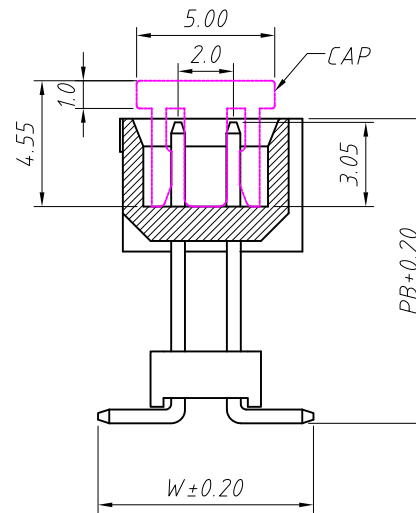
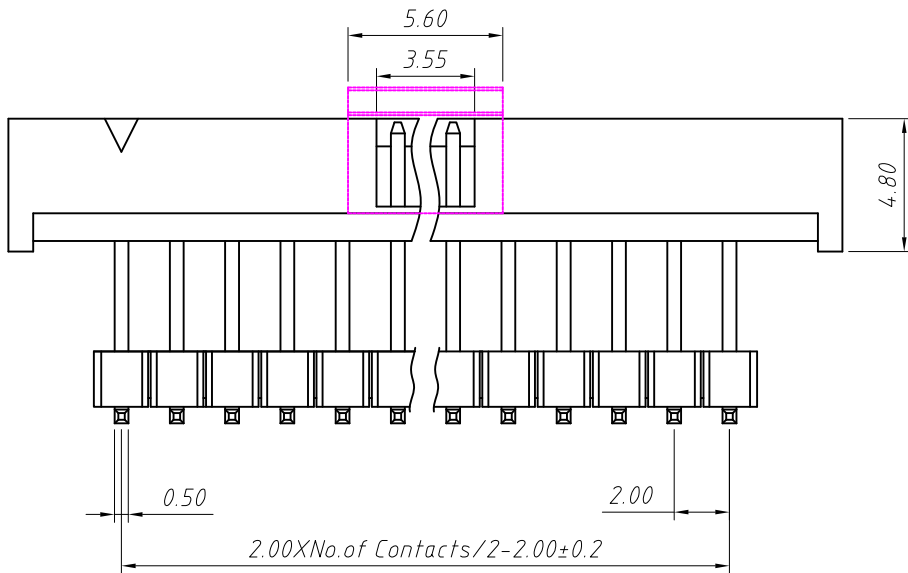


Recommended P.C.B Layout (Top Side)
(PCB BOARD TOLERANCE±0.05)

Material:
Housing:PA6T+30%G.F UL94V-0,Color:Black
Contact:Brass,0.8u"Min Gold Plating Over All
30u" Min Nickel Underplating Over All

Electrical Characteristics:
Rated Current: 2.0AMP
Contact Resistance: 20mΩ Max
Withstand Voltage: 500V AC/DC
Insulator Resistance: 1000MΩ Min

Mechanical
Operating Temperature: -40°C~+105°C
Max.Processing Temp:230°C for 30-60
seconds (260°C for 10 seconds)



Order Information:

L-KLS1-202JA-XX-T-B-PBxW-B-T

L: RoHS
Box Header Series
202JA:2.00mm Pitch
XX-No. of 06~64 pin
Type:S-Straight pin
T-SMT
Color:B-Black G-Gray
Size:PBxW
Material:B=PA6T C=LCP
Packing:
T=Tube P=Tube+Cap R=Reel+Cap

Dimension antitheses list

ITEM	W	PB
Standard	7.8	2.6
Alternate	---	---

ANGLE TOLERANCE	PROJECTION	Description:
±3°		2.00mm Pitch Box Header Connector
GENERAL TOLERANCE	UNITS	mm
x.x ±0.30	SHEET SIZE	A4
x.xx ±0.20	Draw:	Daniel 2018-07-10
x.xxx ±0.10	Check:	Daniel 2018-07-10



NingBo KLS ELECTRONIC CO.,LTD.