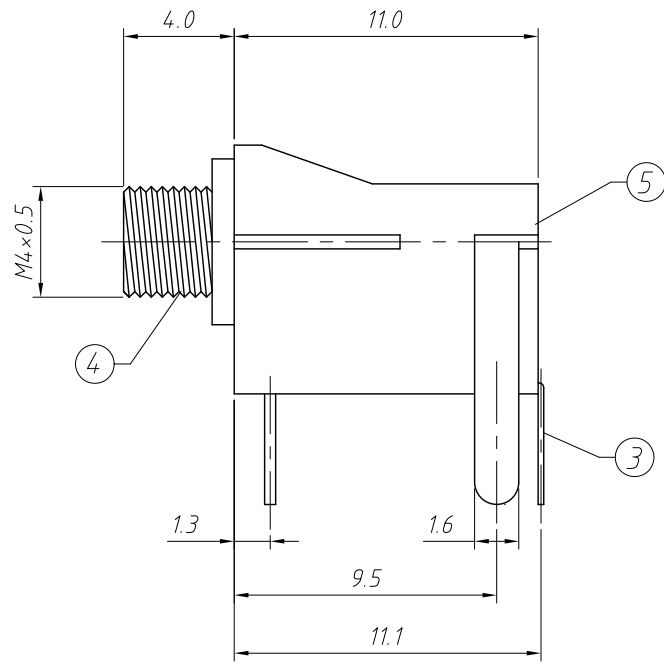
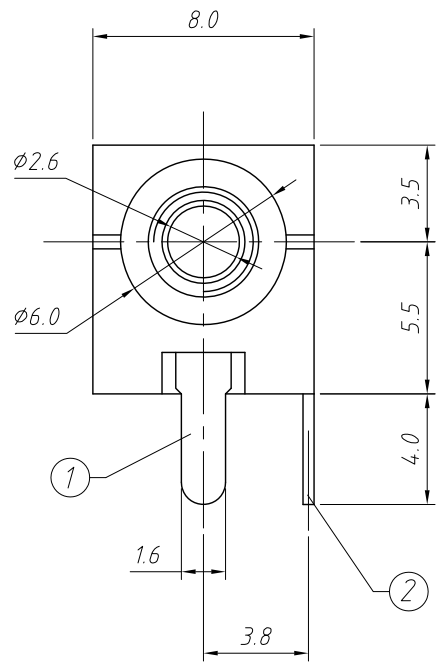
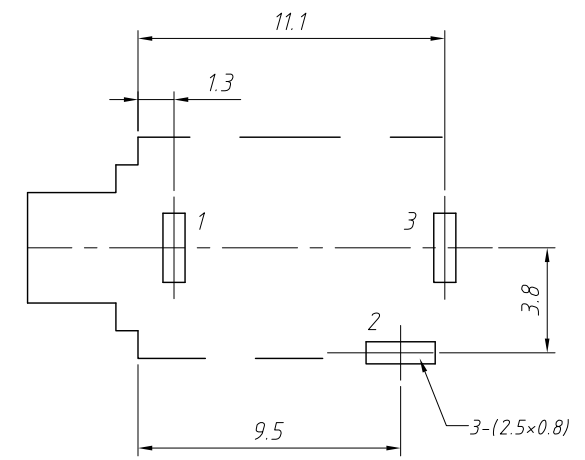


1
RoHS Compliance



P.C.B LAYOUT
TOP VIEW



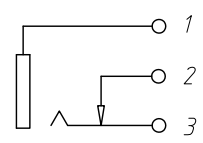
Material:

- 1.Flat Piece:H62 Brass,Cu-Sn-Plating
- 2.Curve Piece:H62 Brass,Sn-Sb-Plating
- 3.Spring Piece:65Mn Steel,Sn-Sb-Plating
- 4.Axis Support:H59 Brass,Ni-Plating
- 5.Housing:ABS

SPECIFICATION

- 1.Rating:DC 30V 0.5A;
- 2.Contact resistance: $\leq 0.03\Omega$;
- 3.Insulation resistance: $\geq 100M\Omega$ (DC250V);
- 4.Withstand voltage:500VAC;
- 5.Insertion and extraction force:3-20N;
- 6.life test:5,000 cycles.

P.C.B LAYOUT



ANGLE TOLERANCE	PROJECTION	Description:	
$\pm 3^\circ$		2.5mm Mono Jack For Panel Mount	
GENERAL TOLERANCE	UNITS	mm	KLS P/N:
x.x ± 0.30	SHEET SIZE	A4	L-KLS1-TG2.5-004A
x.xx ± 0.20	Draw:	Daniel	2018-07-10
x.xxx ± 0.10	Check:	Daniel	2018-07-10

