

**Material:**

Housing: PPS UL 94 V-0

Contacts: Beryllium copper or Phosphor Bronze

Plating: Gold 1u" over 50u" nickel

**Electrical Characteristics:**

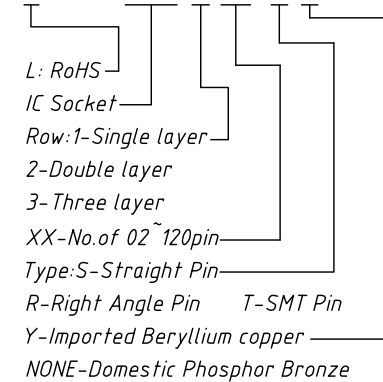
Current Rating: 1.0 AMP

Contact Resistance: 20mΩ max.

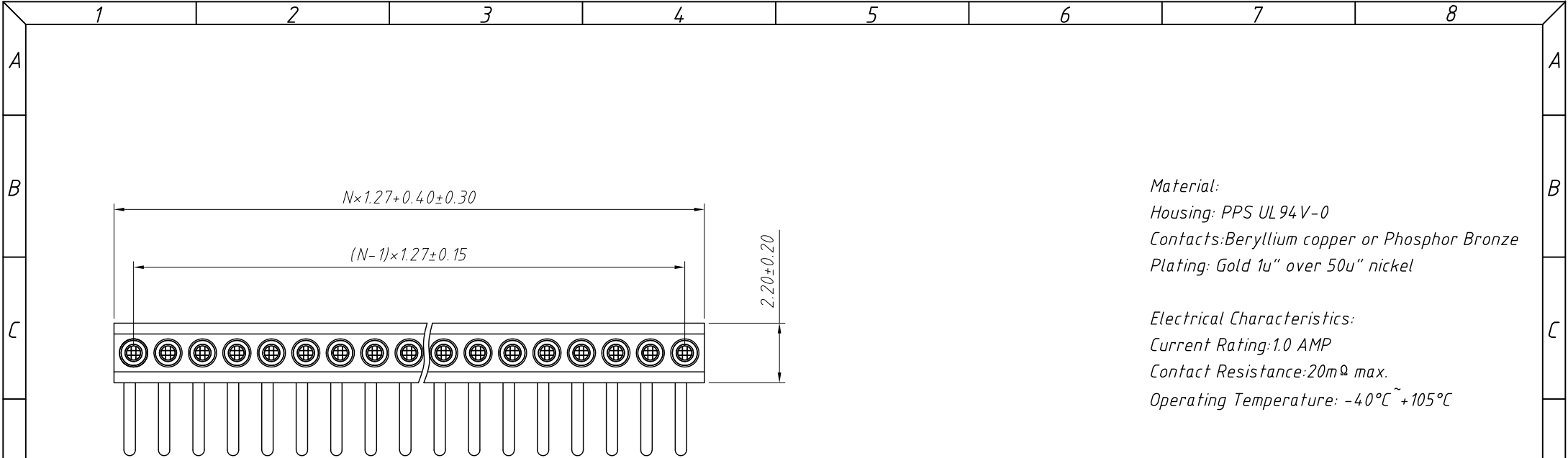
Operating Temperature: -40°C ~ +105°C

**Order Information:**

L-KLS1-209D-1-XX-S-Y

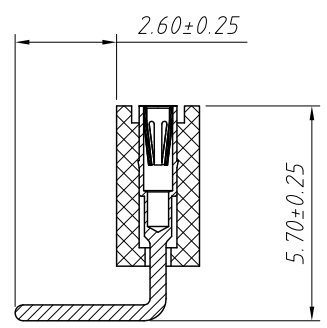
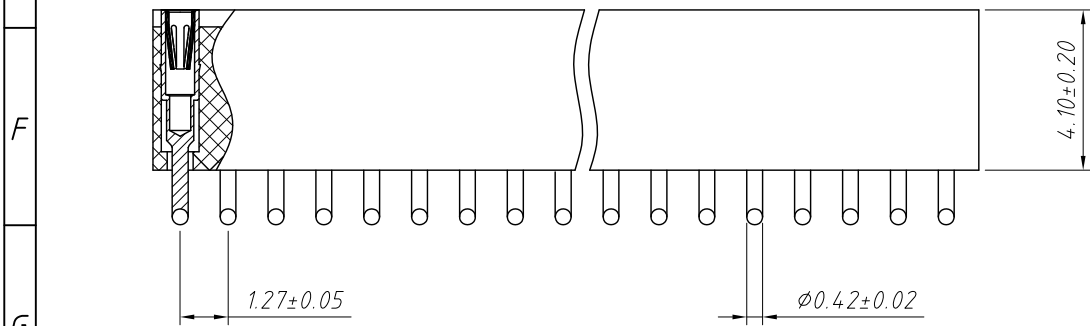


GENERAL TOLERANCE	PROJECTION		Description:
X. ±0.50	UNITS	mm	1.27mm Pitch SIP Socket Connector
.X ±0.25	SCALE	1:1	
.XX ±0.10	Draw by:	Jenny	
ANGLE TOLERANCE	Check by:		KLS P/N: L-KLS1-209D-1-XX-S-Y
X. ±5°	Date	2018-03-01	NingBo KLS ELECTRONIC CO.,L TD.
.X ±3°	SHEET	1 OF 1	
.XX ±2°			



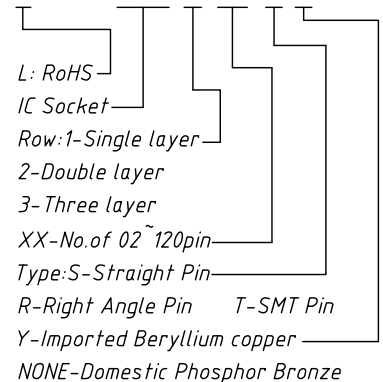
Material:  
Housing: PPS UL 94 V-0  
Contacts: Beryllium copper or Phosphor Bronze  
Plating: Gold 1u" over 50u" nickel

Electrical Characteristics:  
Current Rating: 1.0 AMP  
Contact Resistance: 20mΩ max.  
Operating Temperature: -40°C ~ +105°C

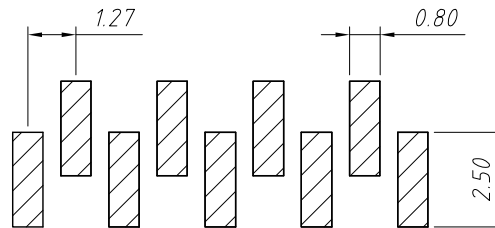
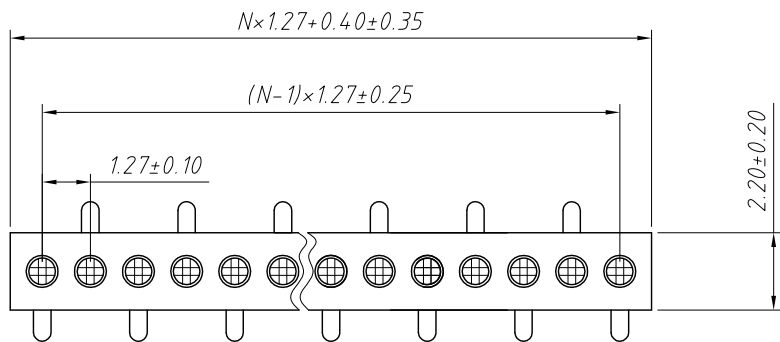


Order Information:

L-KLS1-209D-1-XX-R-Y



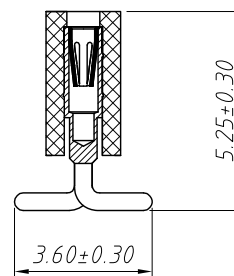
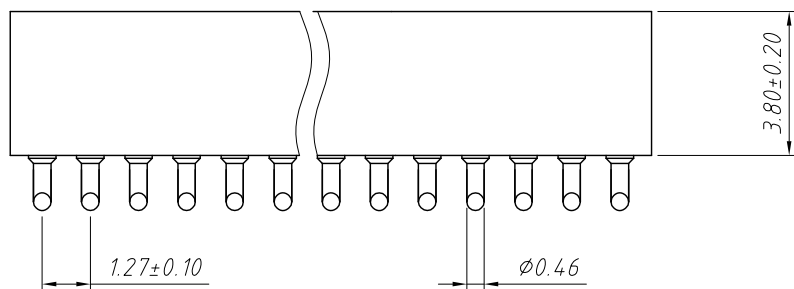
GENERAL TOLERANCE	PROJECTION		Description:
X. ±0.50	UNITS	mm	1.27mm Pitch SIP Socket Connector
.X ±0.25	SCALE	1:1	
.XX ±0.10	Draw by:	Jenny	
ANGLE TOLERANCE	Check by:		KLS P/N: L-KLS1-209D-1-XX-R-Y
X. ±5°	Date	2018-03-01	NingBo KLS ELECTRONIC CO.,L TD.
.X ±3°	SHEET	1 OF 1	
.XX ±2°			



Recommended P.C.Board Layout

Material:  
 Housing: PPS UL 94V-0  
 Contacts: Beryllium copper or Phosphor Bronze  
 Plating: Gold 1u" over 50u" nickel

Electrical Characteristics:  
 Current Rating: 1.0 AMP  
 Contact Resistance: 20mΩ max.  
 Operating Temperature: -40°C ~ +105°C

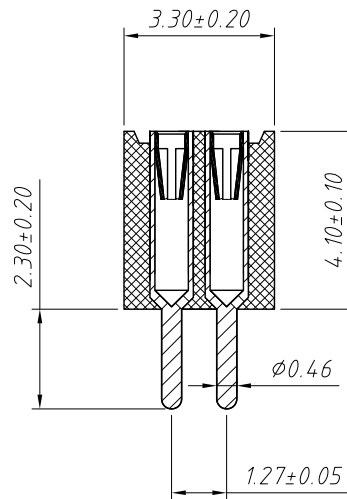
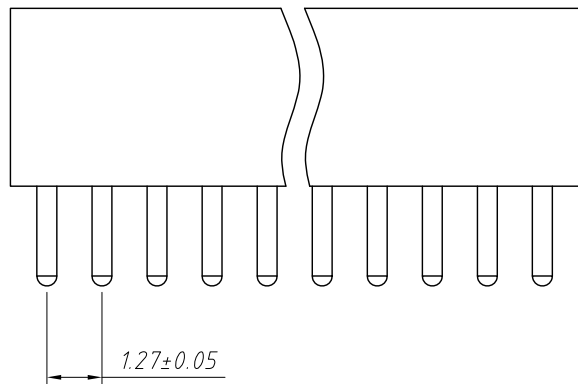
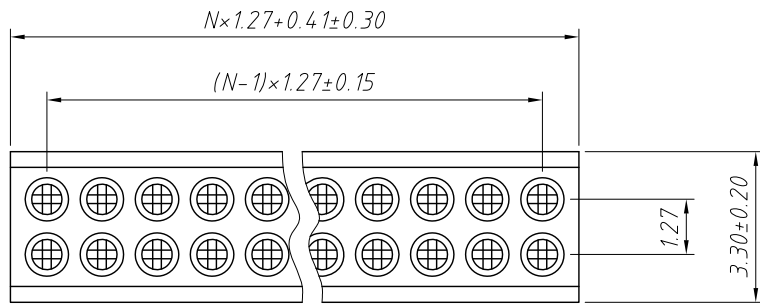


Order Information:

L-KLS1-209D-1-XX-T2-Y

- L: RoHS
- IC Socket
- Row: 1-Single layer
- 2-Double layer
- 3-Three layer
- XX-No. of 02 ~ 120pin
- Type: S-Straight Pin
- R-Right Angle Pin
- T2-SMT Pin
- Y-Imported Beryllium copper
- NONE-Domestic Phosphor Bronze

GENERAL TOLERANCE	PROJECTION		Description:
X. ±0.50	UNITS	mm	1.27mm Pitch SIP Socket Connector
.X ±0.25	SCALE	1:1	
.XX ±0.10	Draw by:	Jenny	
ANGLE TOLERANCE	Check by:		L-KLS P/N: L-KLS1-209D-1-XX-T2-Y
X. ±5°	Date	2018-03-01	NingBo KLS ELECTRONIC CO.,L TD.
.X ±3°	SHEET	1 OF 1	
.XX ±2°			



**Material:**

Housing: PPS UL94 V-0

Contacts: Beryllium copper or Phosphor Bronze

Plating: Gold 1u" over 50u" nickel

**Electrical Characteristics:**

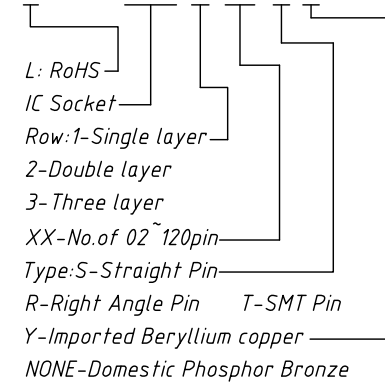
Current Rating: 1.0 AMP

Contact Resistance: 20mΩ max.

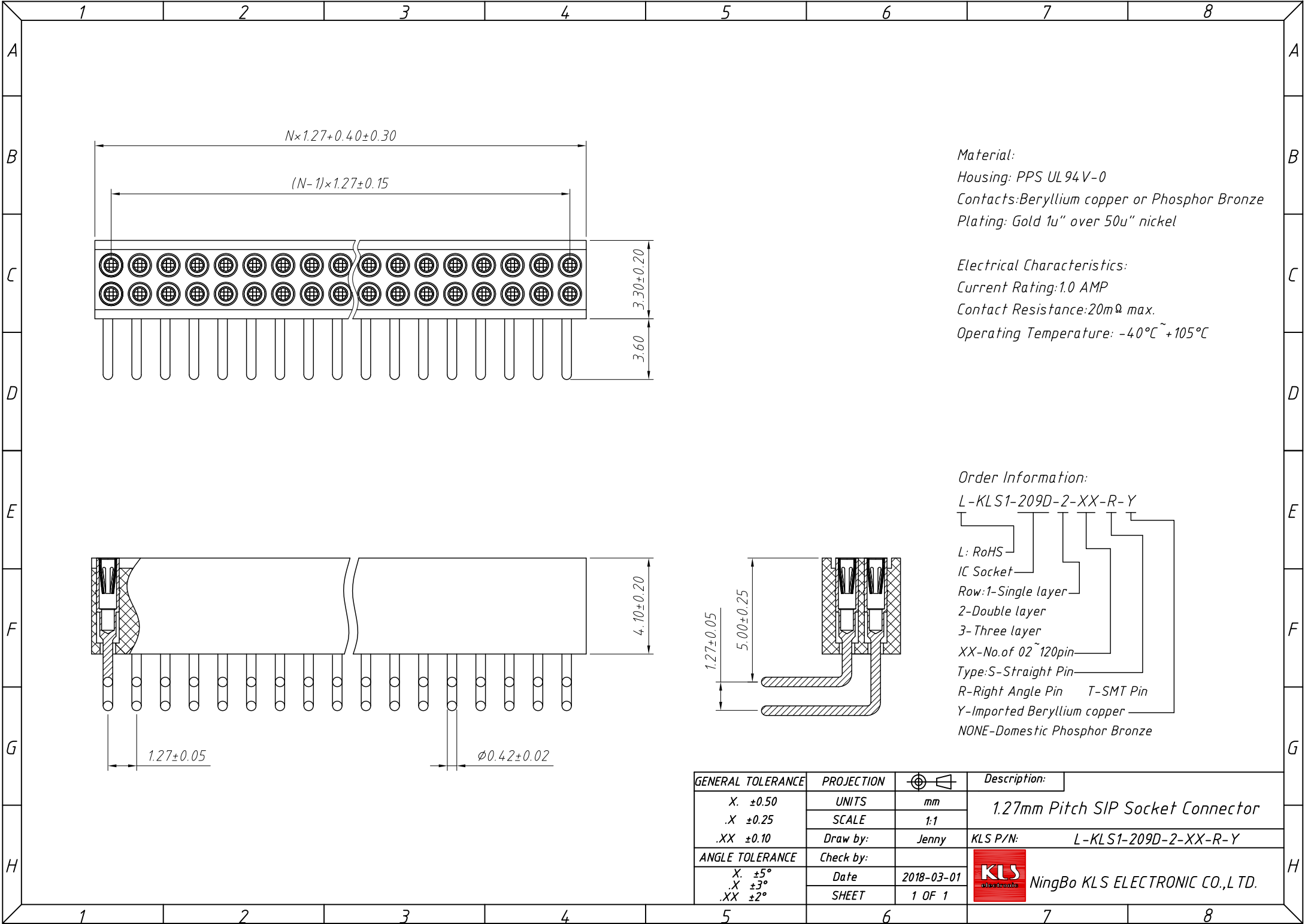
Operating Temperature: -40°C ~ +105°C

**Order Information:**

L-KLS1-209D-2-XX-S-Y



GENERAL TOLERANCE	PROJECTION		Description:
X. ±0.50	UNITS	mm	1.27mm Pitch SIP Socket Connector
.X ±0.25	SCALE	1:1	
.XX ±0.10	Draw by:	Jenny	
ANGLE TOLERANCE	Check by:		L-KLS1-209D-2-XX-S-Y
X. ±5°	Date	2018-03-01	NingBo KLS ELECTRONIC CO.,L TD.
.X ±3°	SHEET	1 OF 1	
.XX ±2°			



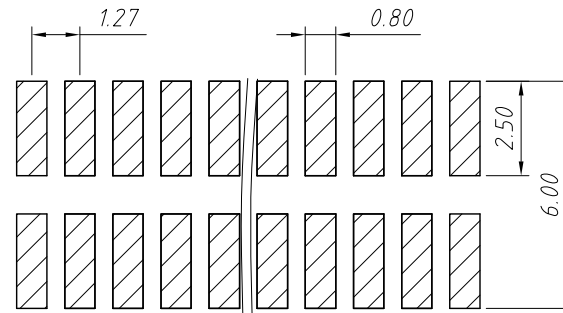
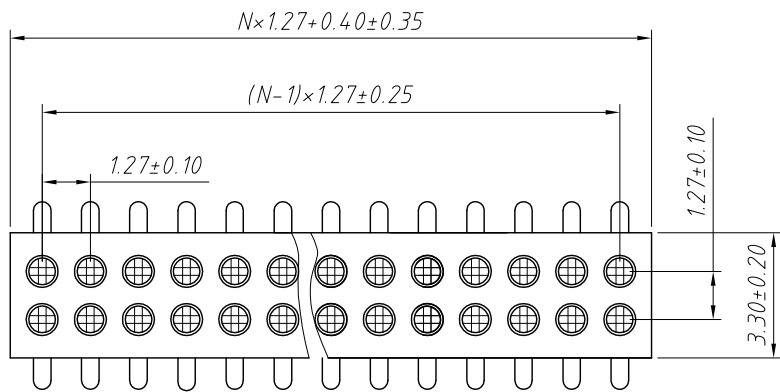
Material:  
 Housing: PPS UL 94V-0  
 Contacts: Beryllium copper or Phosphor Bronze  
 Plating: Gold 1u" over 50u" nickel

Electrical Characteristics:  
 Current Rating: 1.0 AMP  
 Contact Resistance: 20mΩ max.  
 Operating Temperature: -40°C ~ +105°C

Order Information:  
 L-KLS1-209D-2-XX-R-Y

- L: RoHS
- IC Socket
- Row: 1-Single layer
- 2-Double layer
- 3-Three layer
- XX-No. of 02 120pin
- Type: S-Straight Pin
- R-Right Angle Pin
- T-SMT Pin
- Y-Imported Beryllium copper
- NONE-Domestic Phosphor Bronze

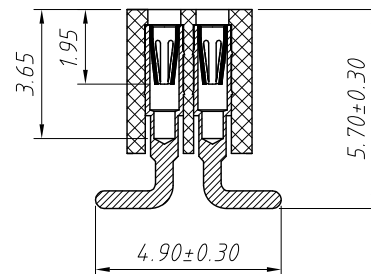
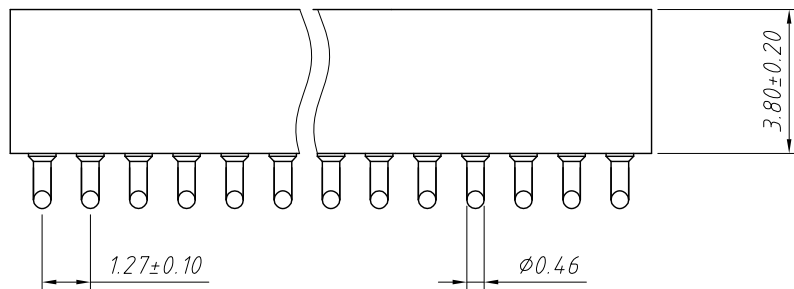
GENERAL TOLERANCE	PROJECTION		Description:
X. ±0.50	UNITS	mm	1.27mm Pitch SIP Socket Connector
.X ±0.25	SCALE	1:1	
.XX ±0.10	Draw by:	Jenny	
ANGLE TOLERANCE	Check by:		KLS P/N: L-KLS1-209D-2-XX-R-Y
X. ±5°	Date	2018-03-01	NingBo KLS ELECTRONIC CO.,L TD.
.X ±3°	SHEET	1 OF 1	
.XX ±2°			



Recommended P.C. Board Layout

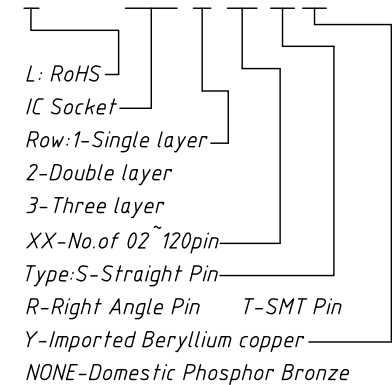
Material:  
 Housing: PPS UL 94V-0  
 Contacts: Beryllium copper or Phosphor Bronze  
 Plating: Gold 1u" over 50u" nickel

Electrical Characteristics:  
 Current Rating: 1.0 AMP  
 Contact Resistance: 20mΩ max.  
 Operating Temperature: -40°C ~ +105°C



Order Information:

L-KLS1-209D-2-XX-T-Y



L: RoHS  
 IC Socket  
 Row: 1-Single layer  
 2-Double layer  
 3-Three layer  
 XX-No. of 02 120pin  
 Type: S-Straight Pin  
 R-Right Angle Pin T-SMT Pin  
 Y-Imported Beryllium copper  
 NONE-Domestic Phosphor Bronze

GENERAL TOLERANCE	PROJECTION		Description:
X. ±0.50	UNITS	mm	1.27mm Pitch SIP Socket Connector
.X ±0.25	SCALE	1:1	
.XX ±0.10	Draw by:	Jenny	
ANGLE TOLERANCE	Check by:		KLS P/N: L-KLS1-209D-2-XX-T-Y
X. ±5°	Date	2018-03-01	NingBo KLS ELECTRONIC CO.,L TD.
.X ±3°	SHEET	1 OF 1	
.XX ±2°			