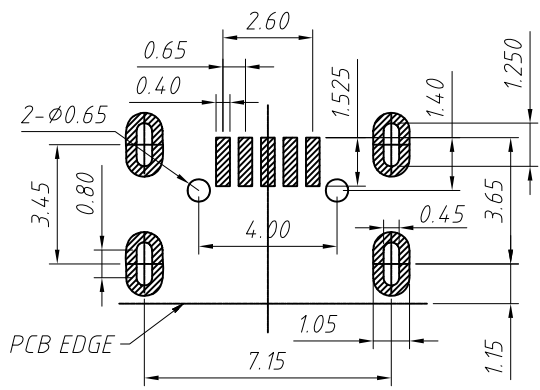
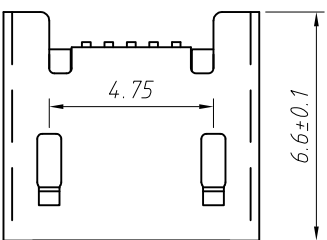
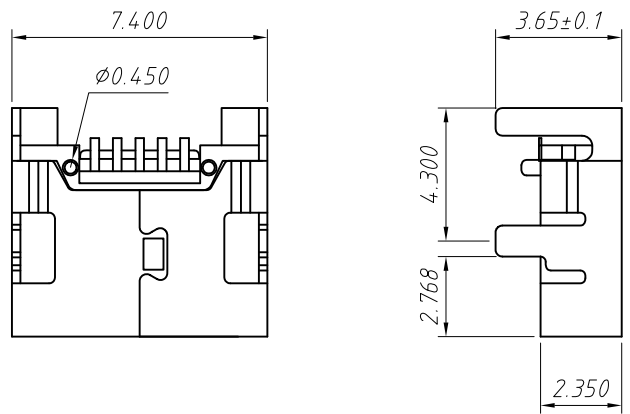


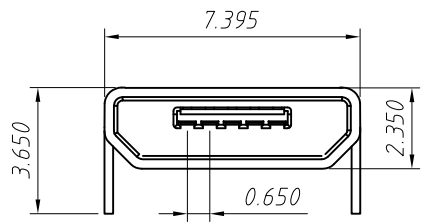
Material
 Housing: High Temperature Thermoplastics, UL 94 V-0 LCP, Black.
 Contact: Copper Alloy C5191.
 Shell: Copper Alloy C2680.

Finish:
 Contact: Plated Gold In Mating Area; Tin On Solder Talls.
 Shell: Nickel Plating.

Electrical:
 Current Rating: 1.0A/Contact Terminal.
 Voltage Rating: 30V DC
 Contact Resistance: 50mΩ Max.
 Dielectric Withstanding Voltage: 300 V AC AT Sea Level.
 Insulation Resistance: 100MΩ Min.
 Connector Mate and Unmated Force
 Mate Force: 3.0kgf Max.
 Unmated Force: 0.7kgf Min.
 Terminal Retention: 0.5kgf Min.



RECOMMENDED PCB LAYOUT
 TOL: ±0.05



Order Information
 L-KLS1- 4244 - B - R
 R-Reel packing
 Color: B=Black
 Micro USB
 RoHS

GENERAL TOLERANCE	PROJECTION		Description:
X. ±0.50	UNITS	mm	CONN RCPT 5POS MICRO USB SMD
.X ±0.25	SCALE	1:1	
.XX ±0.10	Draw by:	Jenny	KLS P/N: L-KLS1-4244-B-R
ANGLE TOLERANCE	Check by:		NingBo KLS ELECTRONIC CO.,L TD.
X. ±5°	Date	2018-03-01	
.X ±3°	SHEET	1 OF 1	
.XX ±2°			