

DC Power Connectors

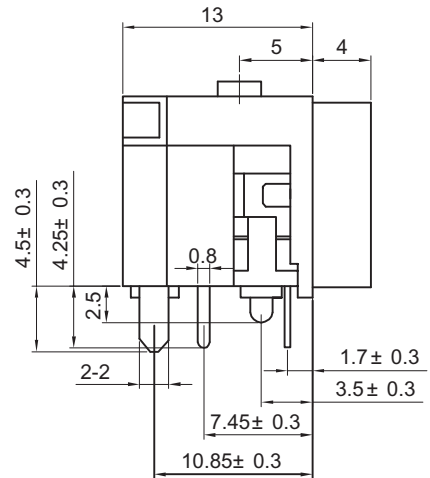
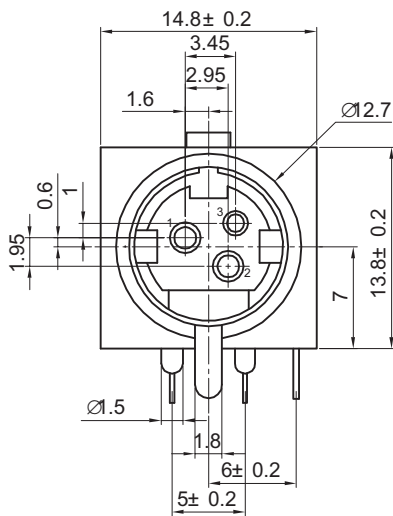
KLS1-288A (DC Power Jack)

Material:

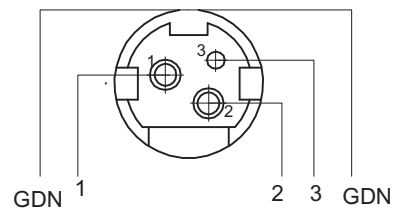
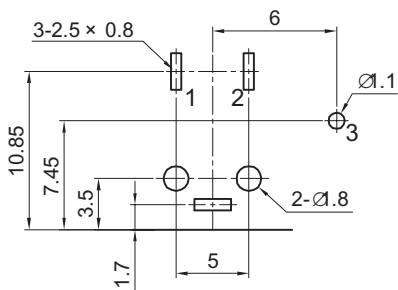
Housing Material: PBT+15%G.F
Contact: Brass, Tin plated

Technical parameters:

Contact Resistance: $\leq 30m\Omega$
Insulation Resistance: $\geq 100M\Omega$
Withstanding Voltage: 500V AC (50Hz) 1min
Rated load: 1&2 : 20V DC 7.5A MAX ; 3 : 20V DC 1A
Life: ≥ 5000 times
Actuating Force: 10~50N
Operating Temperature: $-25^{\circ}C \sim 70^{\circ}C$



PCB 板安装孔图



电路图

ORDER INFORMATION

Product NO.: L-KLS1-288A-03-B



DC Power Connectors

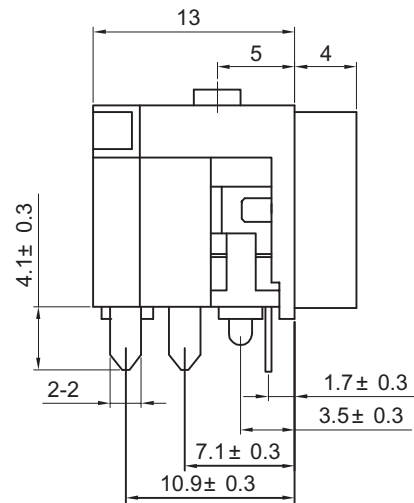
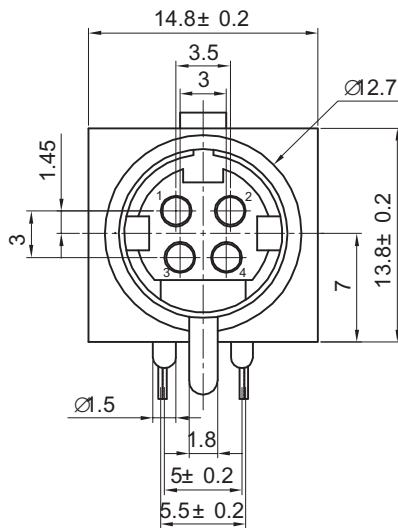
KLS1-288A (DC Power Jack)

Material:

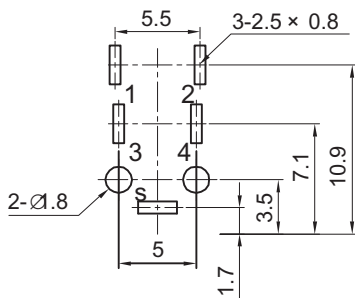
Housing Material: PBT+15%G.F
Contact: Brass, Tin plated

Technical parameters:

Contact Resistance: $\leq 30m\Omega$
Insulation Resistance: $\geq 100M\Omega$
Withstanding Voltage: 500V AC (50Hz) 1min
Rated load: 7.5A 20V DC
Life: ≥ 5000 times
Actuating Force: 10~50N
Operating Temperature: $-25^{\circ}C \sim 70^{\circ}C$



PCB 板安装孔图



ORDER INFORMATION

Product NO.: L-KLS1-288A-04-B

