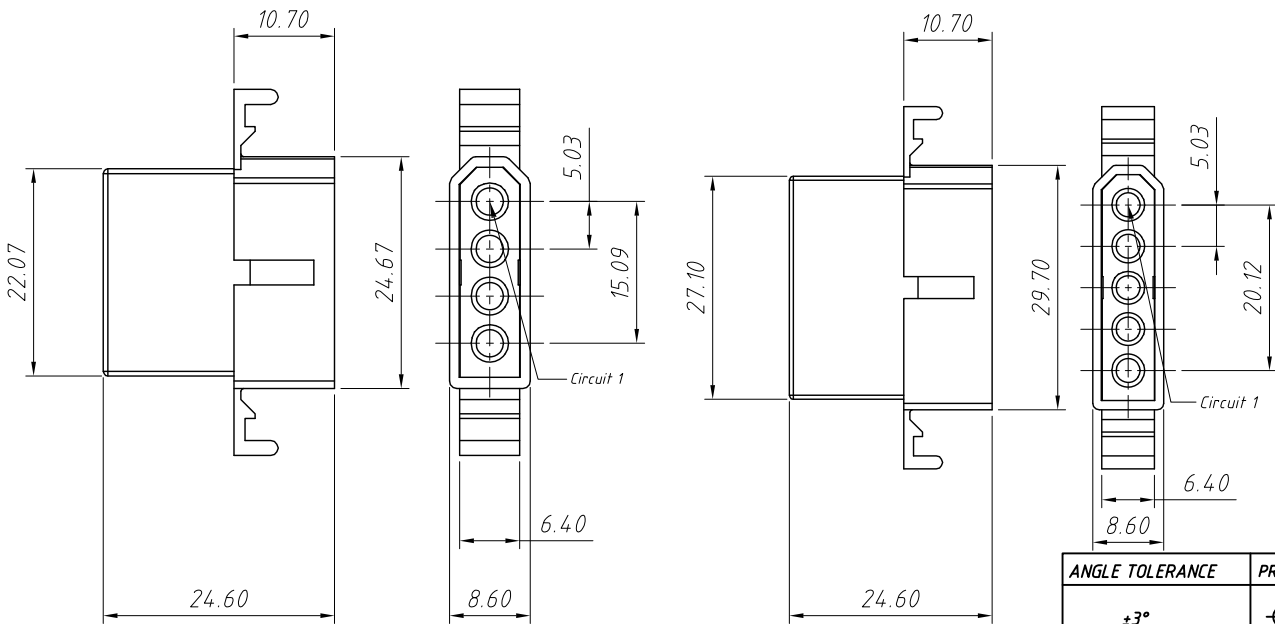
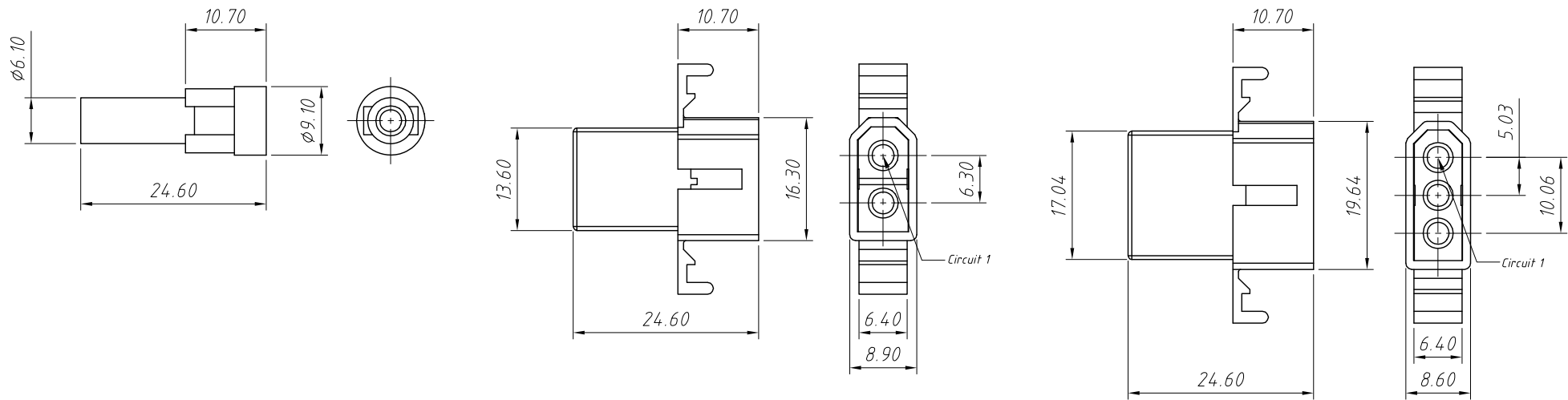


RoHS Compliance



Material:
Housing: PA66, UL 94 V-2

Electrical Characteristics:
Rated Current: 12.0AMP
Voltage rating: 250V AC, DC
Temperature range: -25°C ~ +85°C
Insulator Resistance: 1000MΩ Min
Withstanding Voltage: 1500V AC
Contact Resistance: 10mΩ Max

Order Information:
L-KLS1-5.03-1×XX-FH

L: RoHS
Pitch: 5.03mm
Row: 1-Single layer
2-Double layer
3-Three layer
XX-No. of 01~05pins
Type:
FH-Female Housing
MH-Male Housing
FT-Female Terminal
MT-Male Terminal

ANGLE TOLERANCE	PROJECTION	Description:		
±3°		5.03mm Pitch Wire To Wire Connector		
GENERAL TOLERANCE	UNITS	mm	KLS P/N:	L-KLS1-5.03-1×XX-FH
x.x ±0.30	SHEET SIZE	A4		
x.xx ±0.20	Draw:	Daniel	2021-01-11	
x.xxx ±0.10	Check:	Daniel	2021-01-11	

NingBo KLS ELECTRONIC CO.,L TD.

1
RoHS Compliance

2

3

4

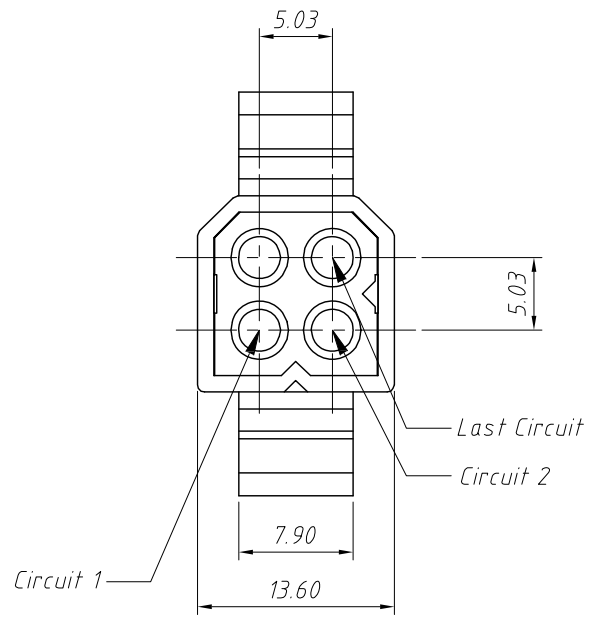
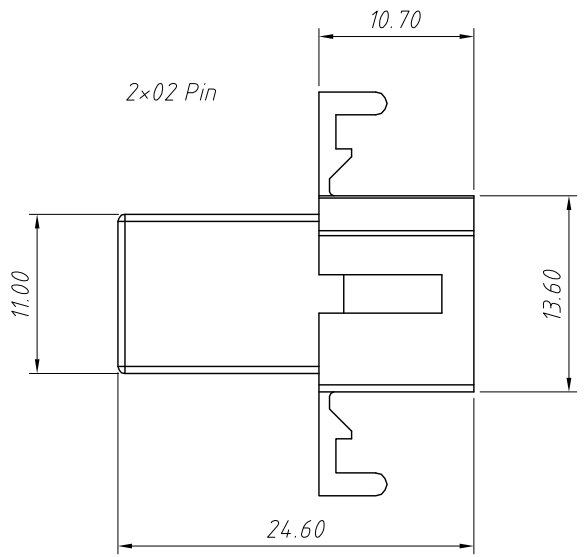
5

6

7

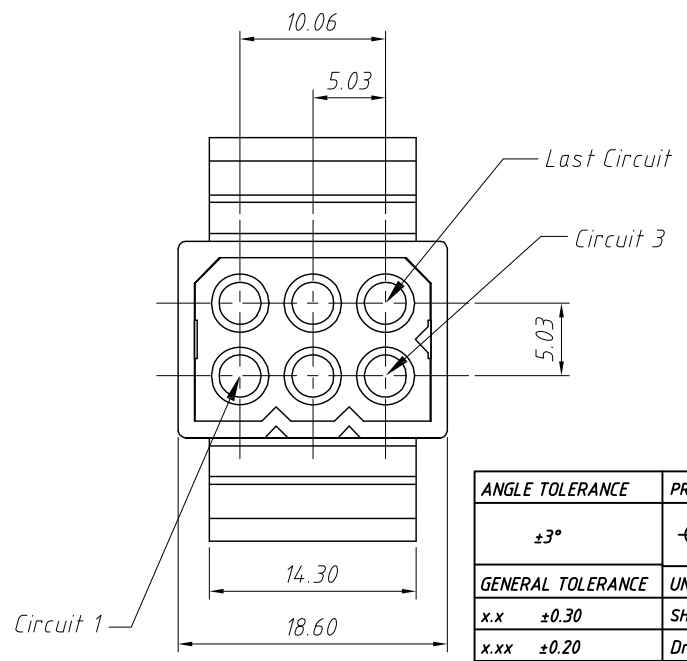
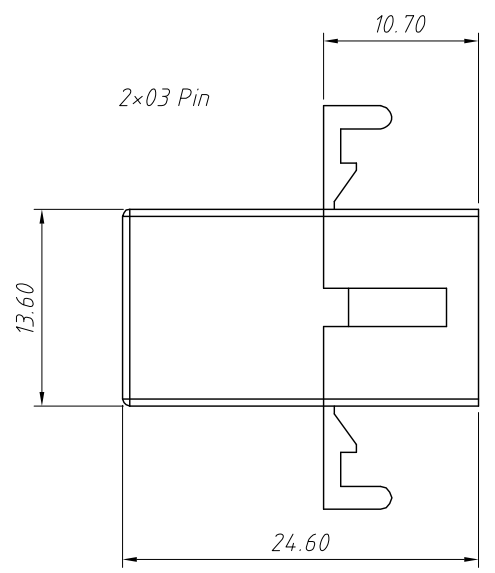
8

A
B
C
D
E
F
G
H

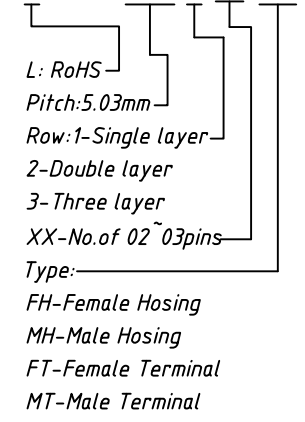


Material:
Housing:PA66,UL94V-2

Electrical Characteristics:
Rated Current:12.0AMP
Voltage rating:250V AC,DC
Temperature range:-25°C ~ + 85°C
Insulator Resistance:1000M Ω Min
Withstanding Voltage:1500V AC/minute
Contact Resistance:10m Ω Max



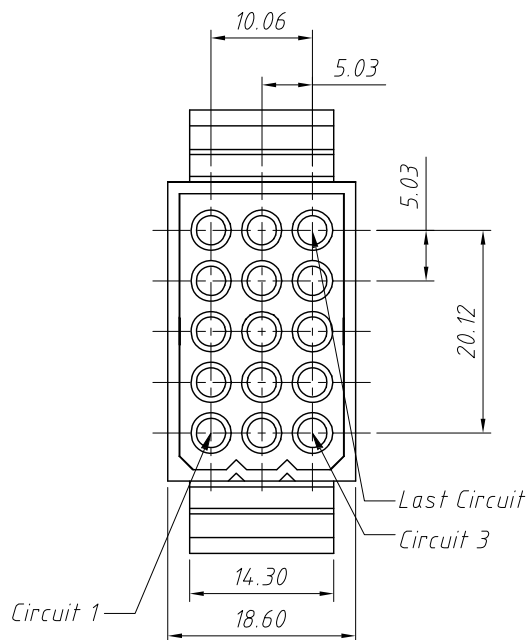
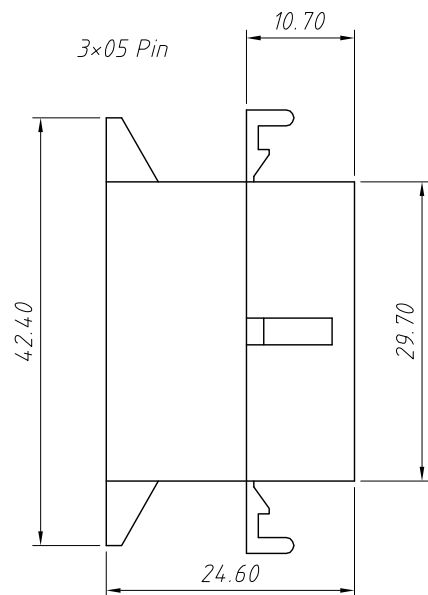
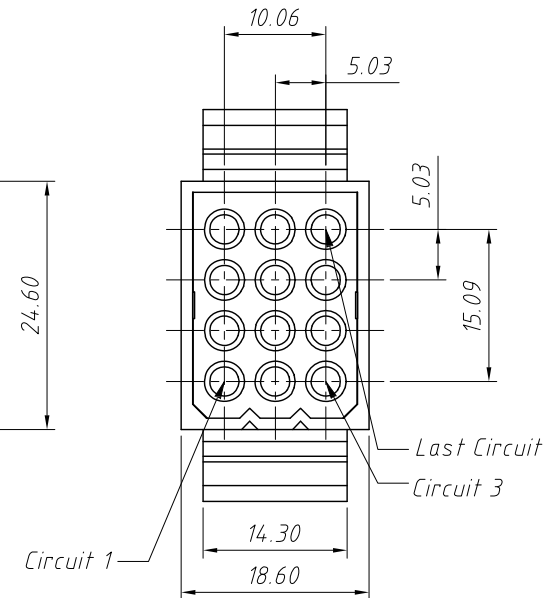
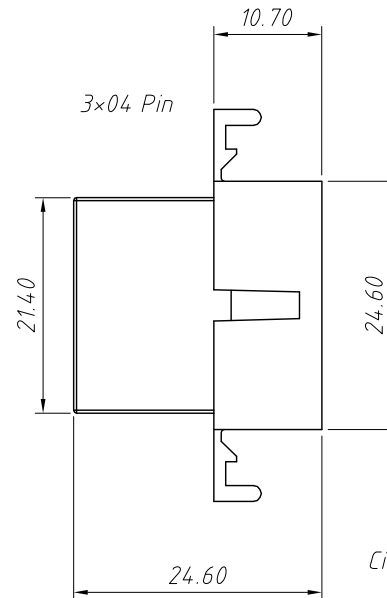
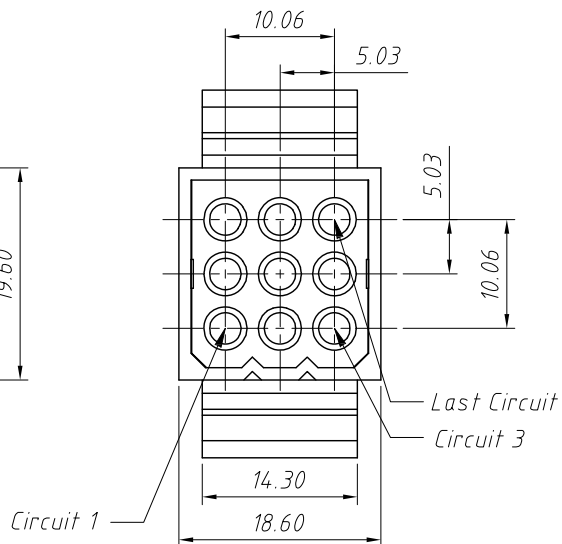
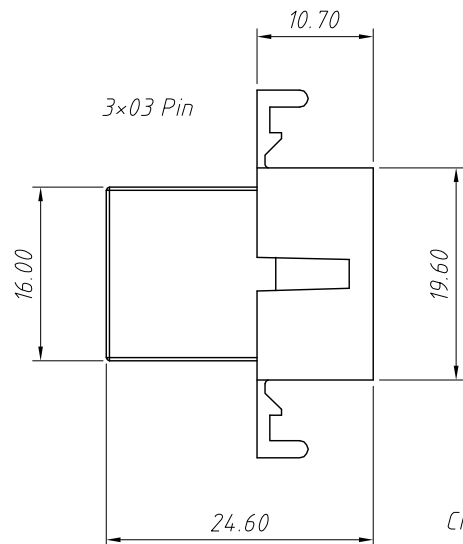
Order Information:
L-KLS1-5.03-2×XX-FH



ANGLE TOLERANCE	PROJECTION	Description:		
$\pm 3^\circ$		5.03mm Pitch Wire To Wire Connector		
GENERAL TOLERANCE	UNITS	mm	KLS P/N:	L-KLS1-5.03-2×XX-FH
x.x ± 0.30	SHEET SIZE	A4		
x.xx ± 0.20	Draw:	Daniel	2021-01-11	NingBo KLS ELECTRONIC CO.,L TD.
x.xxx ± 0.10	Check:	Daniel	2021-01-11	

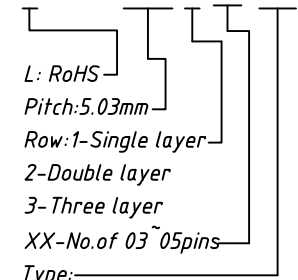
1 2 3 4 5 6 7 8

RoHS Compliance



Order Information:

L-KLS1-5.03-3×XX-FH



Material:
Housing: PA66, UL 94 V-2

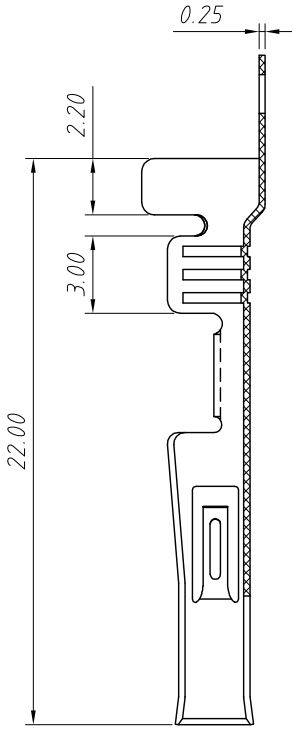
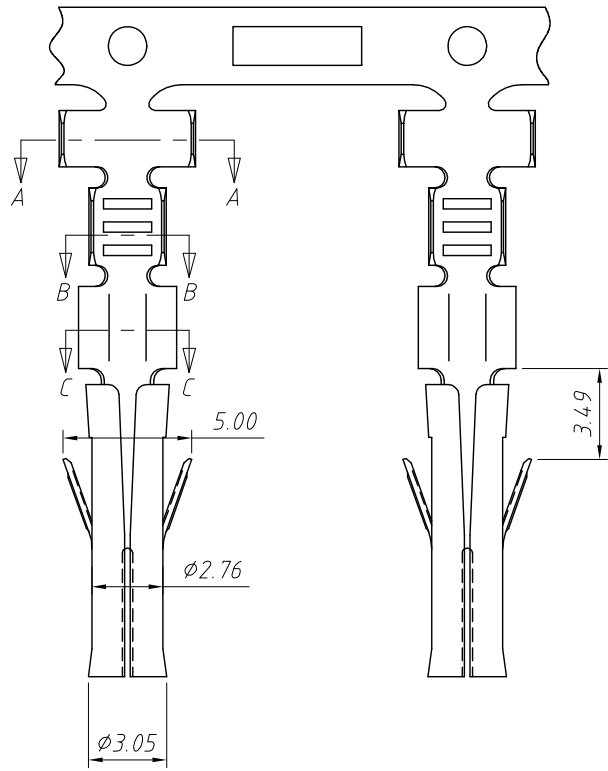
Electrical Characteristics:
Rated Current: 12.0AMP
Voltage rating: 250V AC, DC
Temperature range: -25°C ~ 85°C
Insulator Resistance: 1000MΩ Min
Withstanding Voltage: 1500V AC/minute
Contact Resistance: 10mΩ Max

ANGLE TOLERANCE	PROJECTION	Description:
±3°		5.03mm Pitch Wire To Wire Connector
GENERAL TOLERANCE	UNITS	mm
x.x ±0.30	SHEET SIZE	A4
x.xx ±0.20	Draw:	Daniel 2021-01-11
x.xxx ±0.10	Check:	Daniel 2021-01-11



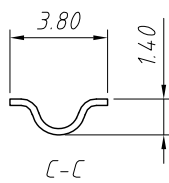
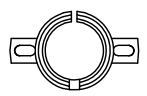
NingBo KLS ELECTRONIC CO., L TD.

1
RoHS Compliance



Material:
Terminal: Brass
Plating: Tin plated
Applicable wires: AWG #14 ~ # 20
Insulation O.D: 4.10mm
Qty/reel: 4000 pcs

Electrical Characteristics:
Rated Current: 12.0AMP
Voltage rating: 250V AC, DC
Temperature range: -25°C ~ + 85°C
Insulator Resistance: 1000MΩ Min
Withstanding Voltage: 1500V AC/minute
Contact Resistance: 10mΩ Max



Order Information:

L-KLS1-5.03-FT

L: RoHS

Pitch: 5.03mm

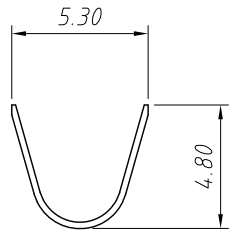
Type:

FH-Female Hosing

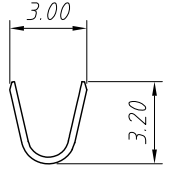
MH-Male Hosing

FT-Female Terminal

MT-Male Terminal



A-A

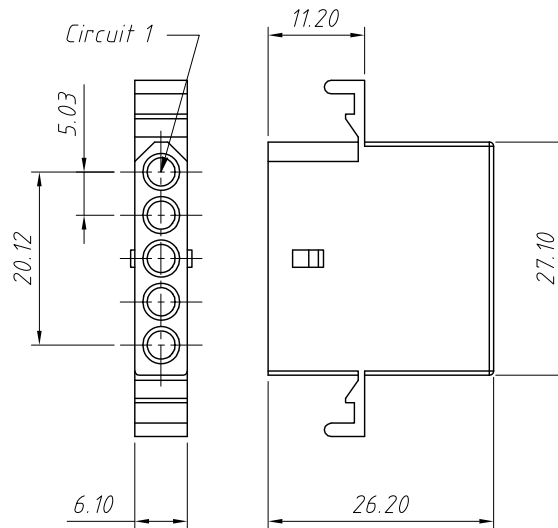
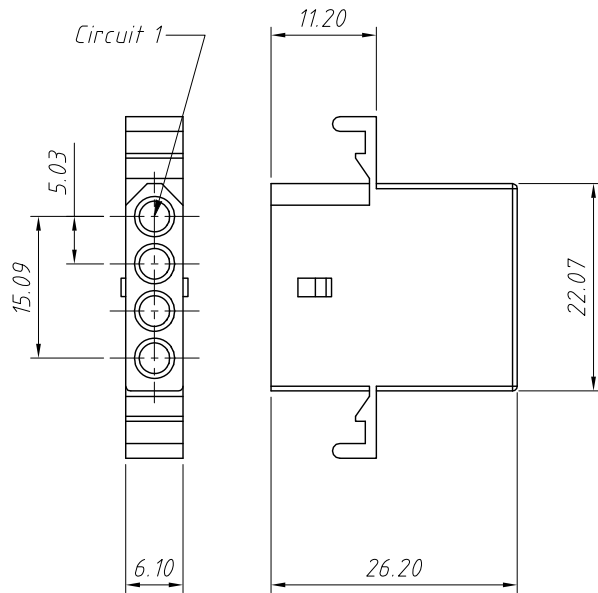
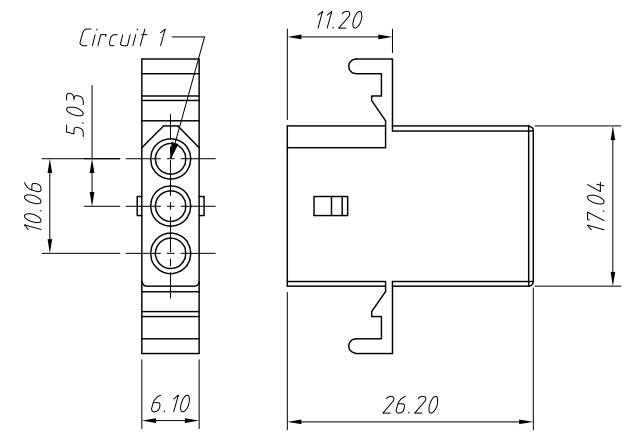
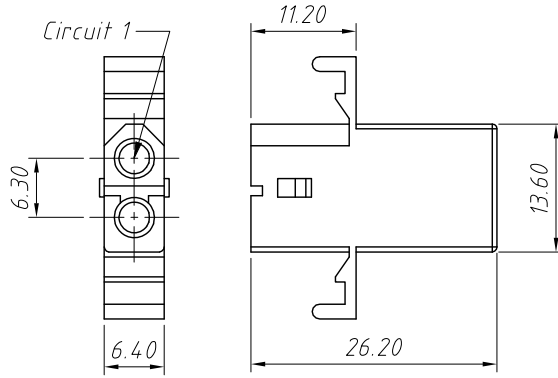
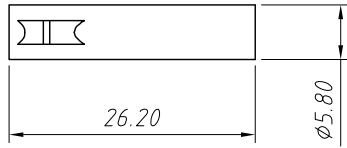


B-B

ANGLE TOLERANCE	PROJECTION	Description:		
±3°		5.03mm Pitch Wire To Wire Connector		
GENERAL TOLERANCE	UNITS	mm	KLS P/N:	L-KLS1-5.03-FT
x.x ±0.30	SHEET SIZE	A4		
x.xx ±0.20	Draw:	Daniel	2021-01-11	
x.xxx ±0.10	Check:	Daniel	2021-01-11	

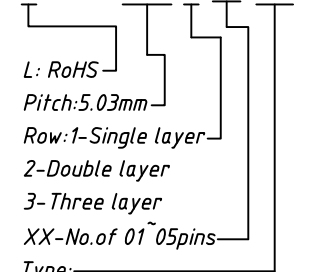
KLS NingBo KLS ELECTRONIC CO.,L TD.

1 RoHS Compliance



Order Information:

L-KLS1-5.03-1×XX-MH



L: RoHS

Pitch: 5.03mm

Row: 1-Single layer

2-Double layer

3-Three layer

XX-No. of 01~05pins

Type:

FH-Female Hosing

MH-Male Hosing

FT-Female Terminal

MT-Male Terminal

Material:

Housing: PA66, UL 94 V-2

Electrical Characteristics:

Rated Current: 12.0AMP

Voltage rating: 250V AC, DC

Temperature range: -25°C ~ + 85°C

Insulator Resistance: 1000MΩ Min

Withstanding Voltage: 1500V

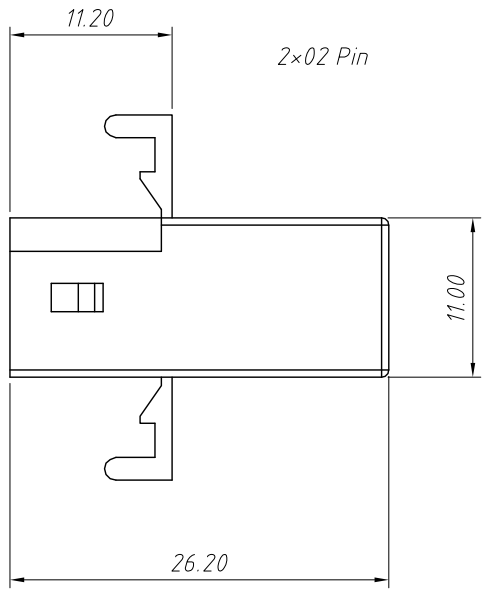
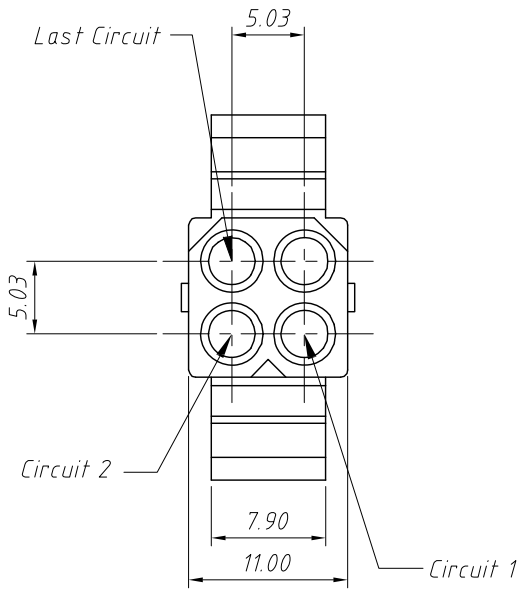
Contact Resistance: 10mΩ Max

ANGLE TOLERANCE	PROJECTION	Description:
±3°		5.03mm Pitch Wire To Wire Connector
GENERAL TOLERANCE	UNITS	mm
x.x ±0.30	SHEET SIZE	A4
x.xx ±0.20	Draw:	Daniel 2021-01-11
x.xxx ±0.10	Check:	Daniel 2021-01-11



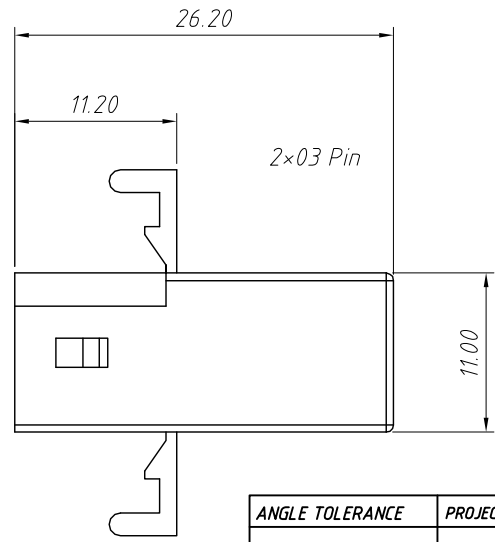
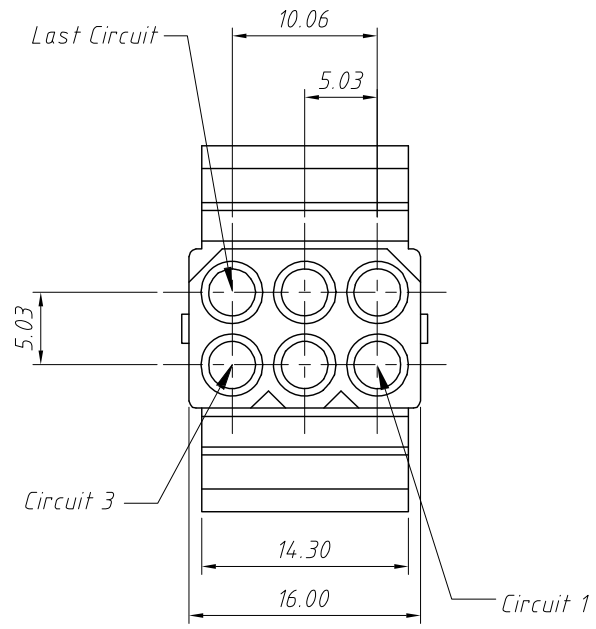
NingBo KLS ELECTRONIC CO.,LTD.

1
RoHS Compliance



Material:
Housing:PA66,UL 94V-2

Electrical Characteristics:
Rated Current:12.0AMP
Voltage rating:250V AC,DC
Temperature range:-25°C ~ + 85°C
Insulator Resistance:1000MΩ Min
Withstanding Voltage:1500V AC/minute
Contact Resistance:10mΩ Max

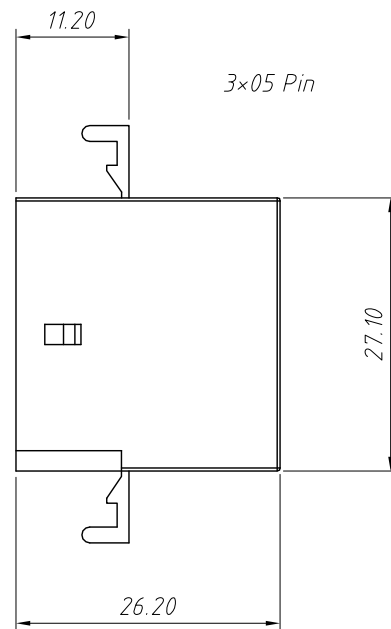
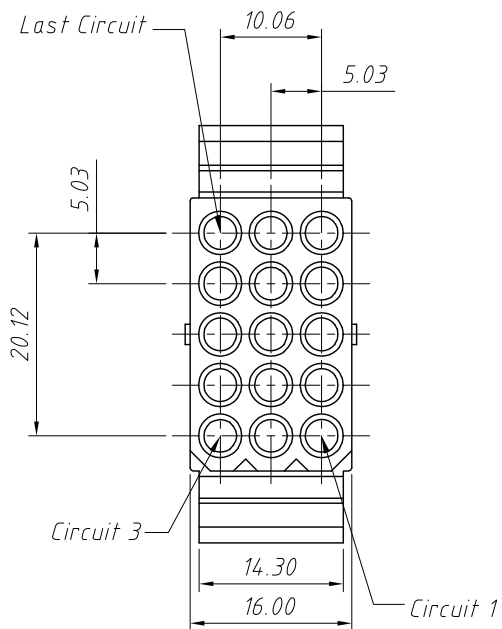
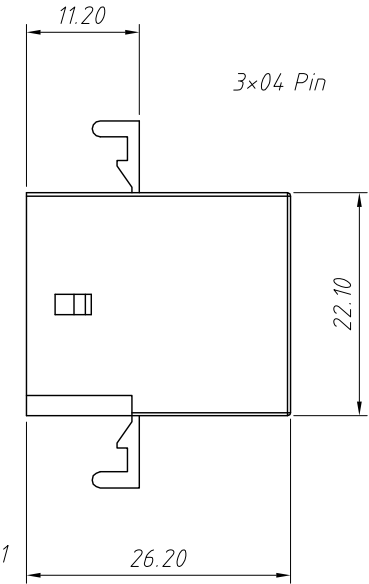
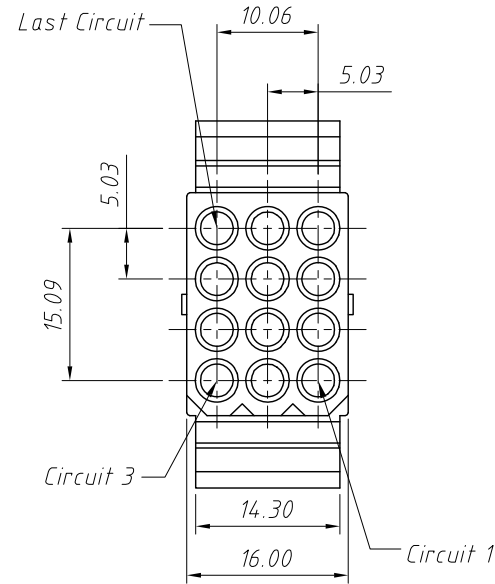
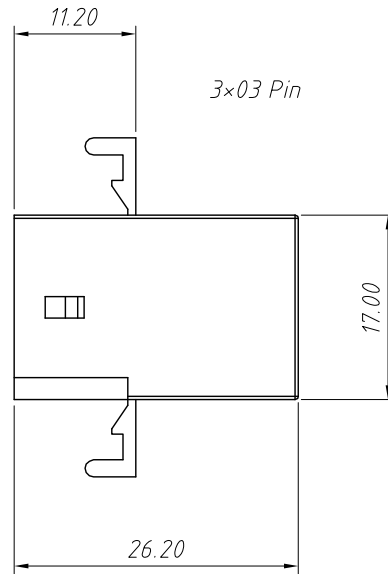
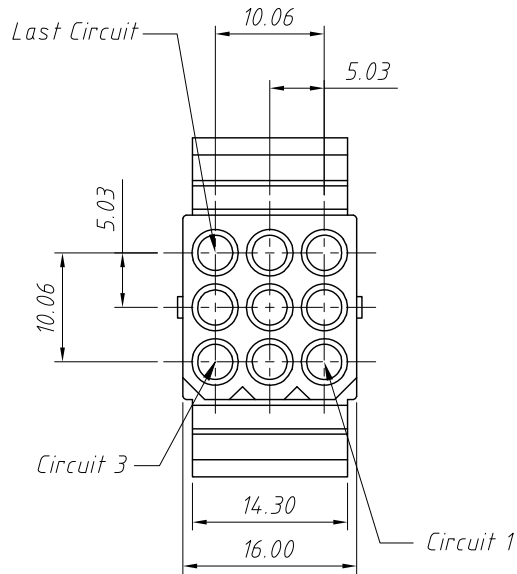


Order Information:
L-KLS1-5.03-2×XX-MH

L: RoHS
Pitch:5.03mm
Row:1-Single layer
2-Double layer
3-Three layer
XX-No.of 02~03pins
Type:
FH-Female Hosing
MH-Male Hosing
FT-Female Terminal
MT-Male Terminal

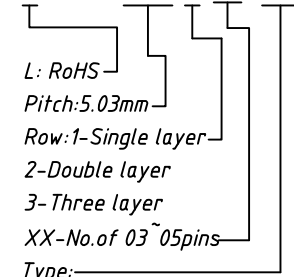
ANGLE TOLERANCE	PROJECTION	Description:		
±3°		5.03mm Pitch Wire To Wire Connector		
GENERAL TOLERANCE	UNITS	mm	KLS P/N:	L-KLS1-5.03-2×XX-MH
x.x ±0.30	SHEET SIZE	A4		NingBo KLS ELECTRONIC CO.,LTD.
x.xx ±0.20	Draw:	Daniel	2021-01-11	
x.xxx ±0.10	Check:	Daniel	2021-01-11	

RoHS Compliance



Order Information:

L-KLS1-5.03-3×XX-MH



Material:

Housing:PA66,UL 94 V-2

Electrical Characteristics:

Rated Current:12.0AMP

Voltage rating:250V AC,DC

Temperature range:-25°C ~ + 85°C

Insulator Resistance:1000MΩ Min

Withstanding Voltage:1500V AC/minute

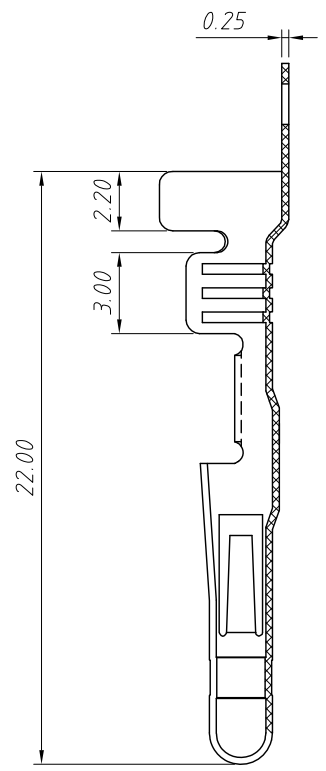
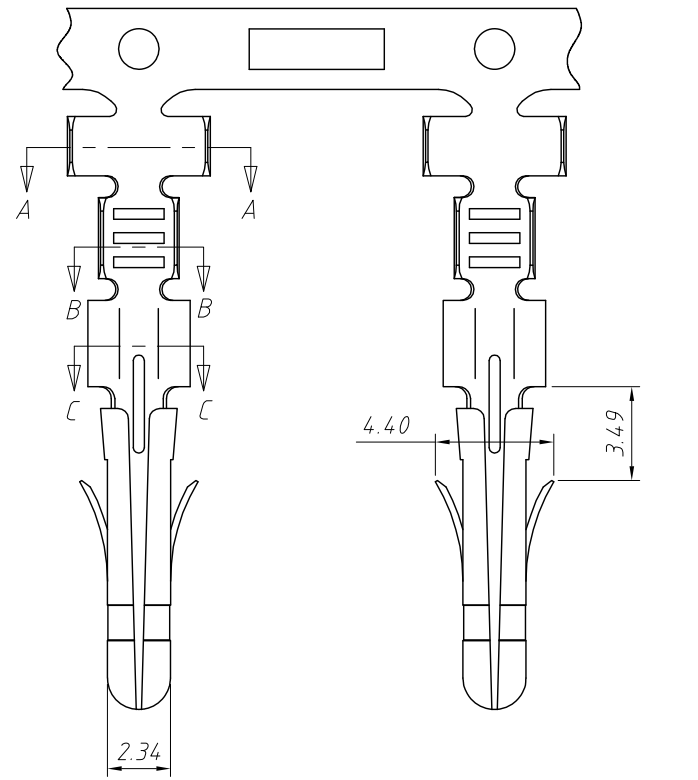
Contact Resistance:10mΩ Max

ANGLE TOLERANCE	PROJECTION	Description:
±3°		5.03mm Pitch Wire To Wire Connector
GENERAL TOLERANCE	UNITS	mm
x.x ±0.30	SHEET SIZE	A4
x.xx ±0.20	Draw:	Daniel 2021-01-11
x.xxx ±0.10	Check:	Daniel 2021-01-11



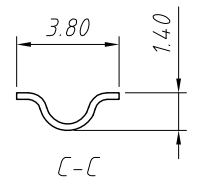
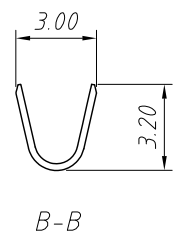
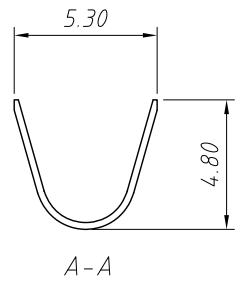
NingBo KLS ELECTRONIC CO.,LTD.

1
RoHS Compliance



Material:
 Terminal: Brass
 Plating: Tin plated
 Applicable wires: AWG #14 ~ # 20
 Insulation O.D: 4.10mm
 Qty/reel: 4000 pcs

Electrical Characteristics:
 Rated Current: 12.0AMP
 Voltage rating: 250V AC,DC
 Temperature range: -25°C ~ + 85°C
 Insulator Resistance: 1000MΩ Min
 Withstanding Voltage: 1500V AC/minute
 Contact Resistance: 10mΩ Max



Order Information:
 L-KLS1-5.03-MT

L: RoHS
 Pitch: 5.03mm
 Type: _____
 FH-Female Hosing
 MH-Male Hosing
 FT-Female Terminal
 MT-Male Terminal

ANGLE TOLERANCE	PROJECTION	Description:		
±3°		5.03mm Pitch Wire To Wire Connector		
GENERAL TOLERANCE	UNITS	mm	KLS P/N:	L-KLS1-5.03-MT
x.x ±0.30	SHEET SIZE	A4		
x.xx ±0.20	Draw:	Daniel	2021-01-11	
x.xxx ±0.10	Check:	Daniel	2021-01-11	

NingBo KLS ELECTRONIC CO.,L TD.