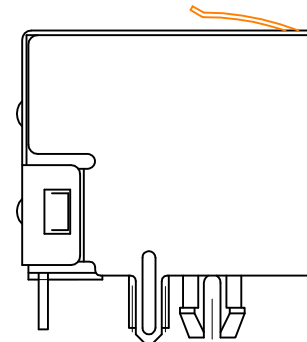


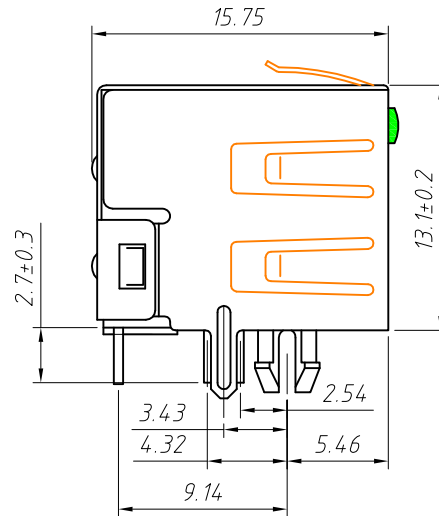
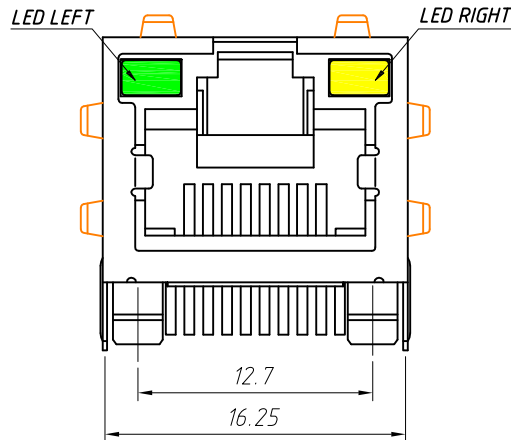
With Shield



TOP EMI Shield

Material:
Housing: PBT+Glass Filled Polyester
Flammability Rating: UL 94V-0
Contacts: Phosphor Bronze $\phi 0.46\text{mm}$
Plating: Gold Plating
Shield: Brass, Tin Plating

Electrical:
Voltage Rating: 125VAC
Current Rating: 1.5A
Contact Resistance: 30m Ω Max.
Insulation Resistance: 500M Ω Min.
Dielectric Strength: 1000VAC Rms
 50Hz, 1 Min.
Durability: 600 cycles Min.
Operation Temperature: -40°C ~ +70°C



With EMI Shield

Order Information

L-KLS12-108-8P8C- 1x1 -X- G/Y-0-XX

RoHS

Contacts: 8P8C

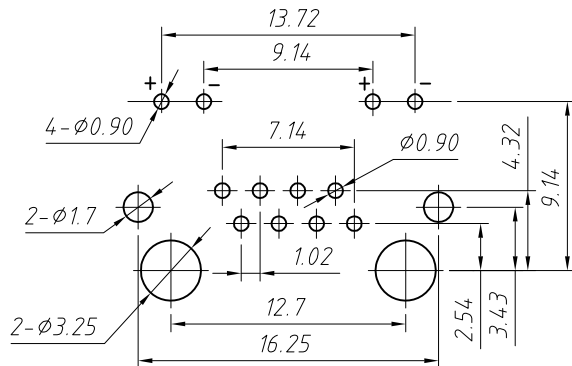
Shield Code:

- 1-with Shield
- 2-with EMI Shield
- 3-TOP EMI Shield

LED Code: LEFT/RIGHT
 G/Y-Green/Yellow
 Y/G- Yellow/Green

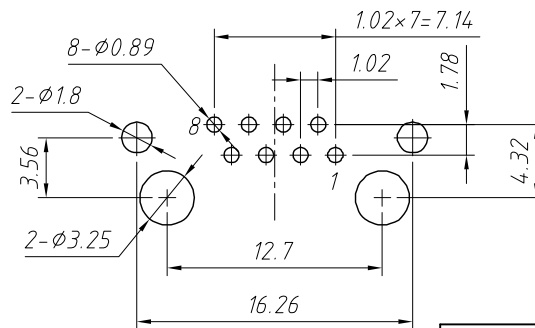
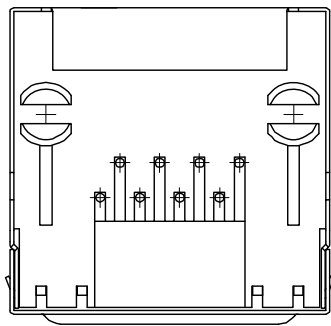
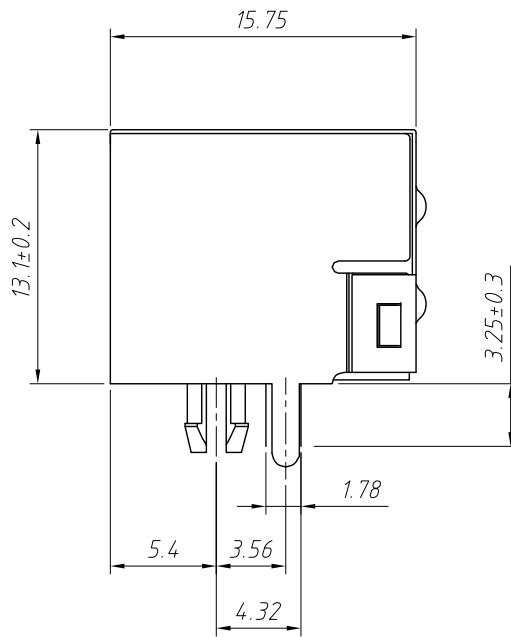
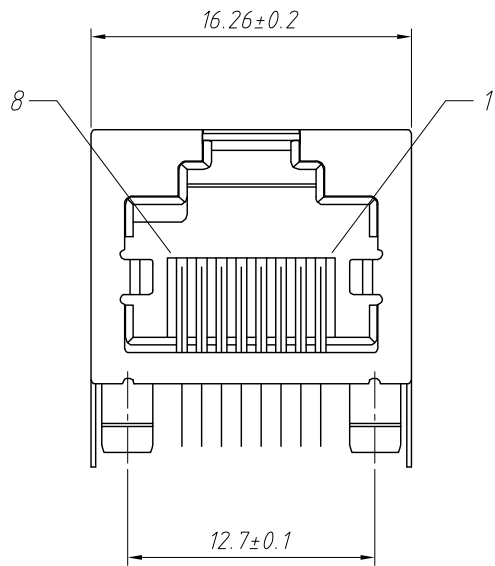
Plating Code:

- 01-Fu" Gold Plating
- 02-3u" Gold Plating
- 03-6u" Gold Plating
- 04-15u" Gold Plating
- 05-30u" Gold Plating



PCB Layout

GENERAL TOLERANCE	PROJECTION		Description:
X. ± 0.30	UNITS	mm	Modular jacks with LED, RJ45-8P8C 1x1 with SHELL
.X ± 0.25	SCALE	1:1	
.XX ± 0.20	Draw by:	Jenny	KLS P/N: L-KLS12-108-8P8C-1x1-X-X/X-0-XX
ANGLE TOLERANCE	Check by:	Daniel	NingBo KLS ELECTRONIC CO.,LTD.
X. $\pm 3^\circ$	Date	2019-12-26	
.X $\pm 2^\circ$	SHEET	1 OF 1	
.XX $\pm 1^\circ$			



PC Board Layout

Material:

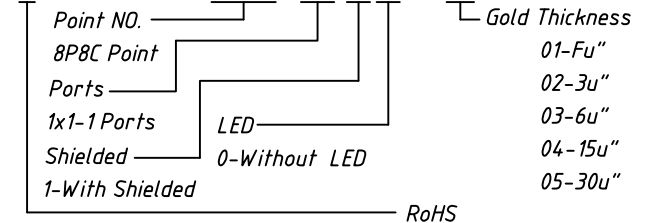
- 1.Housing:PBT,PA66,PA46, UL94V-0
- 2.Contact:Phosphor Bronze $\phi 0.46\text{mm}$
- 3.Shield:0.20mm Thickness Copper Alloy,Nickel Plated
- 4.Plating: Gold plating over nickel.

Electrical:

- 1.Current Rating:1.5A
- 2.Voltage Rating:125VAC
- 3.Contact Resistance: $30\text{M}\Omega$ Max.
- 4 Insulation Resistance: $500\text{M}\Omega$ Min @500VDC
- 5.Withstanding Voltage:1000VAC 50Hz or 60Hz 1min
- 6.Durability:750 cycles Min
- 7.Operation: $-40^{\circ}\text{C} \sim +85^{\circ}\text{C}$

Order Information

L-KLS12-108-8P8C-1x1-1-0-0-01



GENERAL TOLERANCE	PROJECTION		Description:
X. ± 0.30	UNITS	mm	Modular jacks,RJ45-8P8C Jack
.X ± 0.25	SCALE	1:1	
.XX ± 0.20	Draw by:	Jenny	
ANGLE TOLERANCE	Check by:		KLS P/N: L-KLS12-108-8P8C-1x1-1-0-0-01
X. $\pm 3^{\circ}$	Date	2018-03-01	NingBo KLS ELECTRONIC CO.,LTD.
.X $\pm 2^{\circ}$	SHEET	1 OF 1	
.XX $\pm 1^{\circ}$			