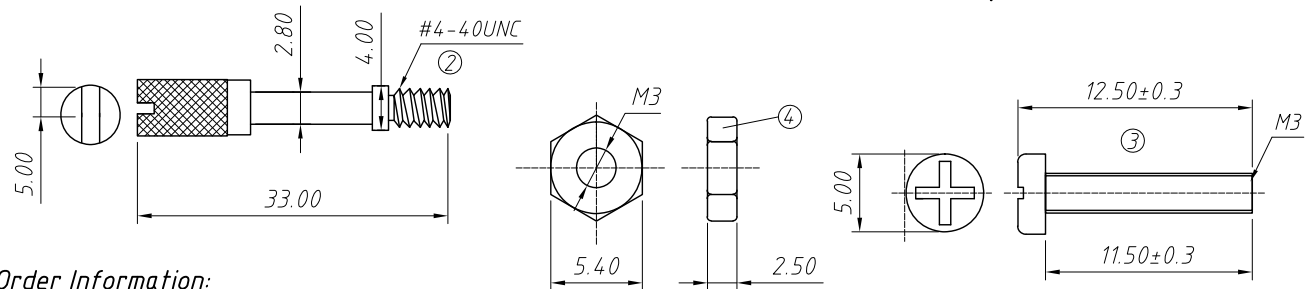
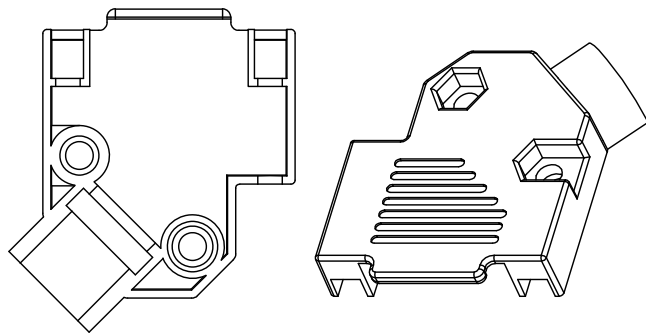
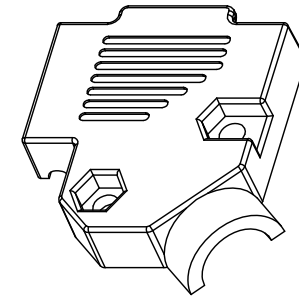
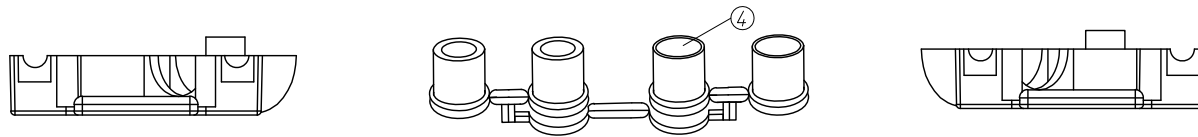
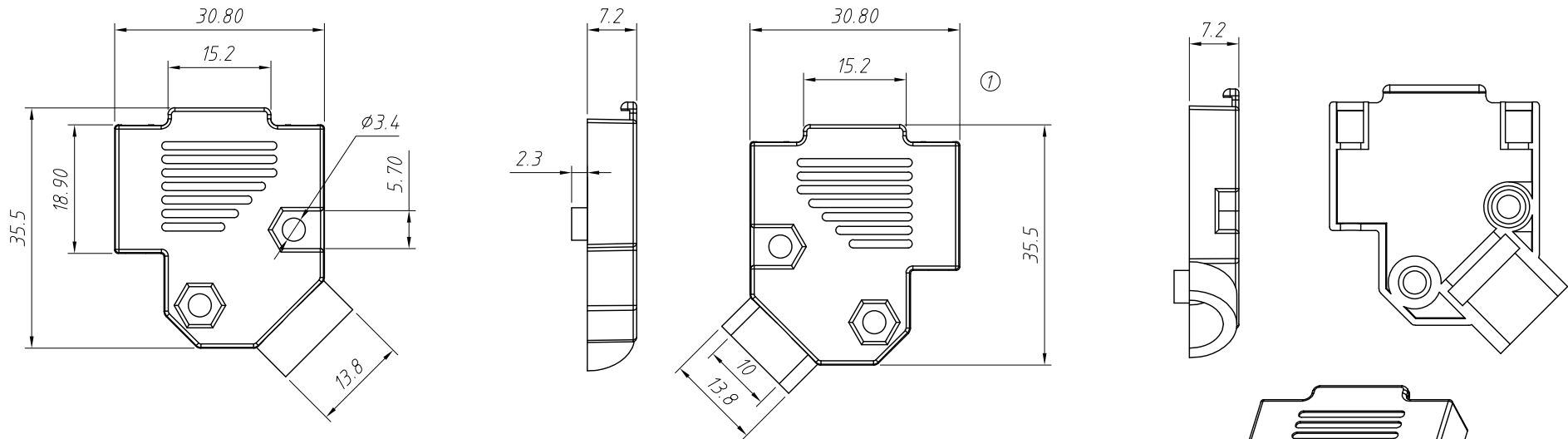


RoHS Compliance



Order Information:

L-KLS1-DBXCC-09P-L-G-8

L: RoHS

XXP-No.of

DB TYPE 09,15,25,37pins,

HDB TYPE 15 26 44 62pins

Screw:L-Long screw

Color:G-Gray B-Black

PVC black:
 $\phi 5$ mm, 6mm, 7mm, 8mm, 9mm

Note: the tolerance not noted is ± 0.3 mm

1.45° D-SUB9pin plastic assembly shell, upper and lower cover, black or gray, 10mm ABS material

2. Screw #4-40 UNC, L=33.00mm, nickel plated iron

3. M3x2.50 screw, nickel plated iron

4. Round plastic sheath, PVC black, $\phi 5$ mm, 6mm, 7mm, 8mm, 9mm (one out of five)

ANGLE TOLERANCE	PROJECTION	Description:
$\pm 3^\circ$		D-SUB Plastic Hood
GENERAL TOLERANCE	UNITS	mm
x.x ± 0.30	SHEET SIZE	A4
x.xx ± 0.20	Draw:	Daniel 2020-11-11
x.xxx ± 0.10	Check:	Daniel 2020-11-11



KLS ELECTRONIC CO.,LTD.