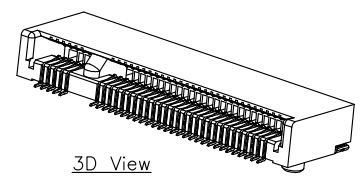
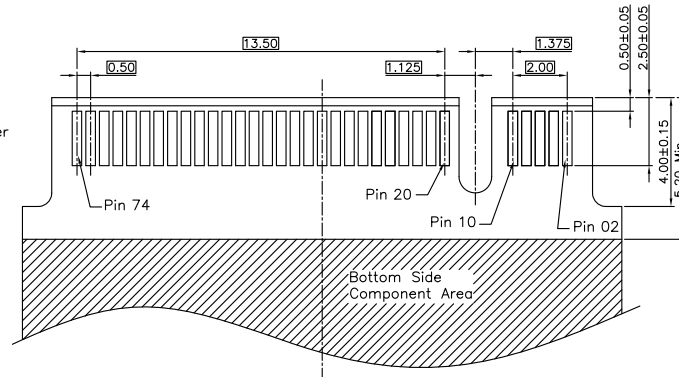
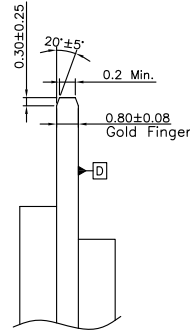
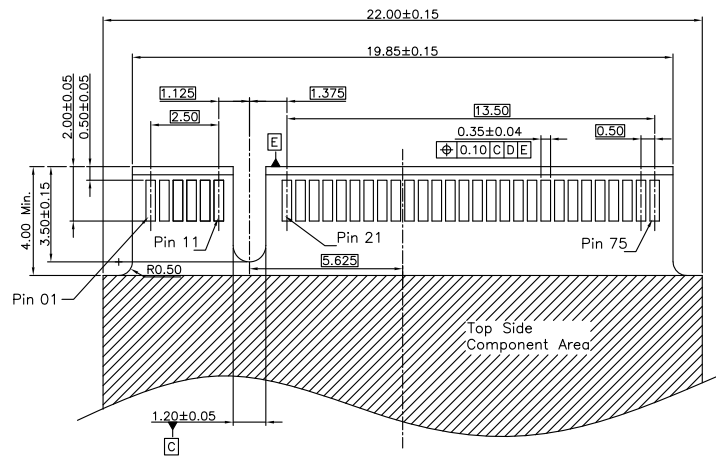


- Notes:
- Material Specification:
    - Housing: LCP+30% G.F UL94 V-0.
    - Contact: Copper Alloy (C5210) T=0.15mm.
    - Leg: Stainless Steel.
  - Plating Specification:
    - Contact: see P/N.
    - Leg: Matte Tin 50μ" min. overall, Nickel 50μ" min. underplated.
  - Mechanical Performance:
    - Insertion force: 20N max.
    - Withdrawal force: 20N max.
    - Durability: 60 cycles min.
    - Vibration:
      - No electrical discontinuity greater than 1u second shall occur;
    - Mechanical shock: 285G half sine/6 axis. no electrical discontinuity greater than 1u second shall occur;
  - Electrical Performance:
    - Current Rating: 0.5A (per pin).
    - Voltage Rating: 50V AC (per pin).
    - LLCR: Contact 55mΩ max.(initial), 20mΩ max. change allowed (final).
    - Insulation Resistance: 5,000MΩ min. at 500V DC.
    - Dielectric withstand voltage: 300V AC/60s.
  - IR Reflow:
    - The peak temperature on board shall be maintained for 10 seconds at 260±5°C.
  - Operating temperature range: -40°C~85°C(without loss function).
  - All parts RoHS and Reach compliant.

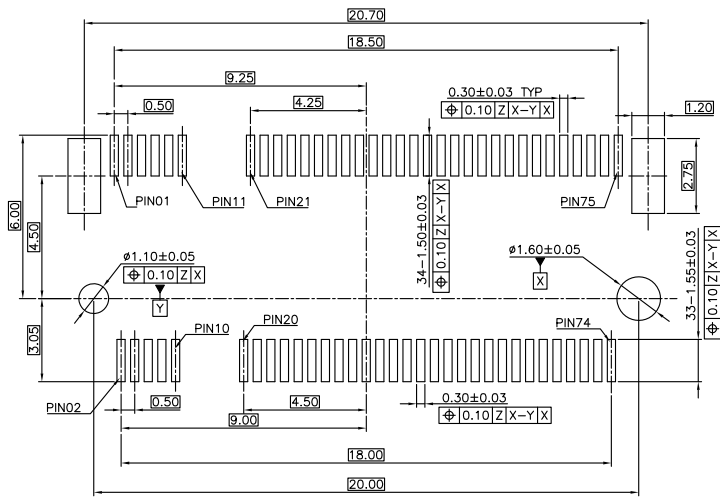
B & M Type Definition							
Name	DIM A	DIM B	DIM C	DIM D	DIM E	DIM F	DIM G
B	5.625	2.50	13.50	2.0	13.5	1.375	1.125
M	6.125	14.00	2.00	14.0	1.5	1.125	1.375




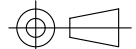
GENERAL TOLERANCES UNLESS SPECIFIED		 <b>NINGBO KLS ELECTRONIC CO; LTD</b> <small>WWW.KLS.ELE.COM</small>	<b>APPROVED BY</b> KYSIN		<b>TITLE</b> NGFF Socket (M.2 connector) 0.50mm Pitch, Top-Mount 3.1H, STD. Dual-SMT Type		
.X± 0.30	X.°± 3°						
.XX± 0.20	X.°± 2°	<b>CHECKED BY</b> HARRY		<b>DWG NO.</b> L-KLS1-NGFF01-3.2-67-B-G0			
.XXX± 0.10	.XX°± 1°						
<b>CUSTOMER DRAWING</b>		<b>DRAWN BY</b> LUCIE			<b>SHEET</b> 1 / 4	<b>SCALE</b> 1:1	<b>REV</b> B2
SIZE	UNITS						
A4	mm[inch]						

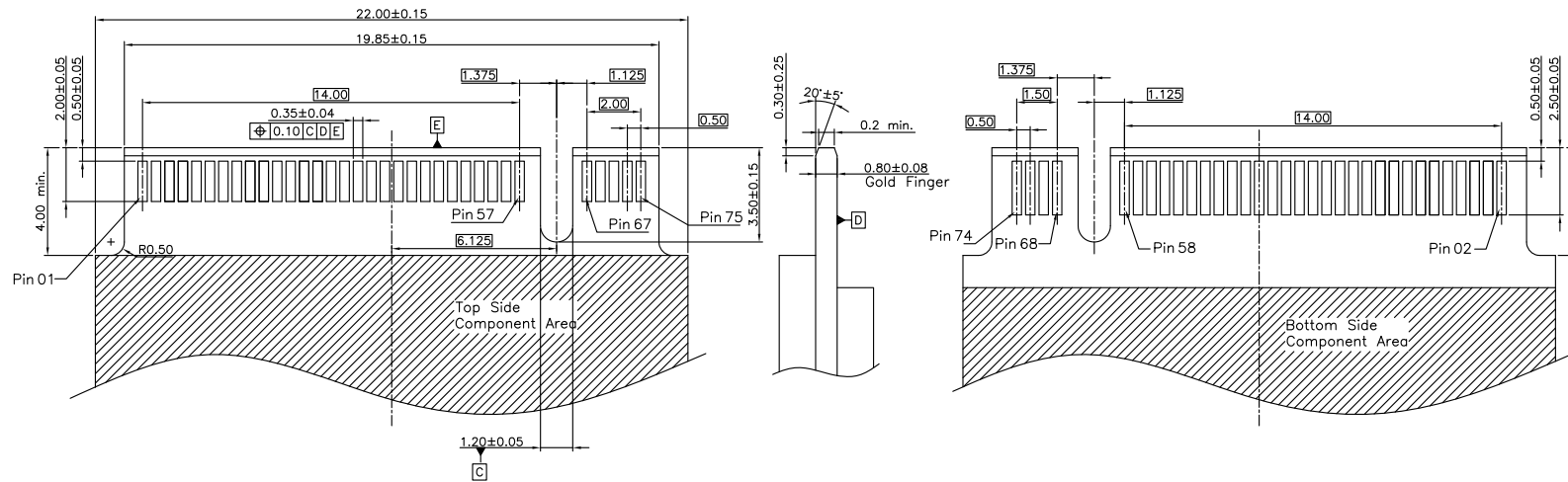


Recommended Mould Finger Layout  
Default Tolerance: ±0.05mm

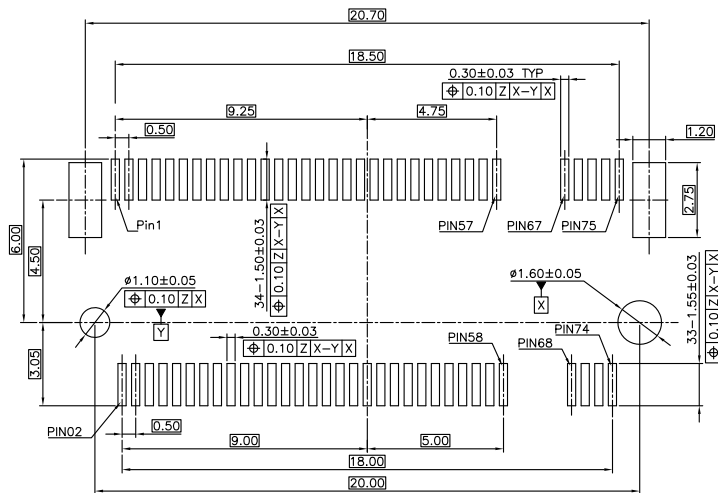


Recommended P.C.B Layout (Top View)  
Default Tolerance: ±0.05mm

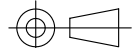
GENERAL TOLERANCES UNLESS SPECIFIED		 <b>NINGBO KLS ELECTRONIC CO; LTD</b> <small>WWW.KLSLE.COM</small>							
.X± 0.30	X.°± 3°								
.XX± 0.20	X.°± 2°	APPROVED BY KYSIN	TITLE NGFF Socket (M.2 Connector) 0.50mm Pitch, Top-Mount 3.1H, STD. B-Key, Dual-SMT Type, Layout						
.XXX± 0.10	.XX°± 1°	CHECKED BY HARRY	DWG NO. L-KLS1-NGFF01-3.2-67-B-G0						
SIZE A4	UNITS mm[inch]	DRAWN BY LUCIE	 <table border="1"> <tr> <td>SHEET</td> <td>SCALE</td> <td>REV</td> </tr> <tr> <td>2 / 4</td> <td>N/A</td> <td>B2</td> </tr> </table>	SHEET	SCALE	REV	2 / 4	N/A	B2
SHEET	SCALE	REV							
2 / 4	N/A	B2							

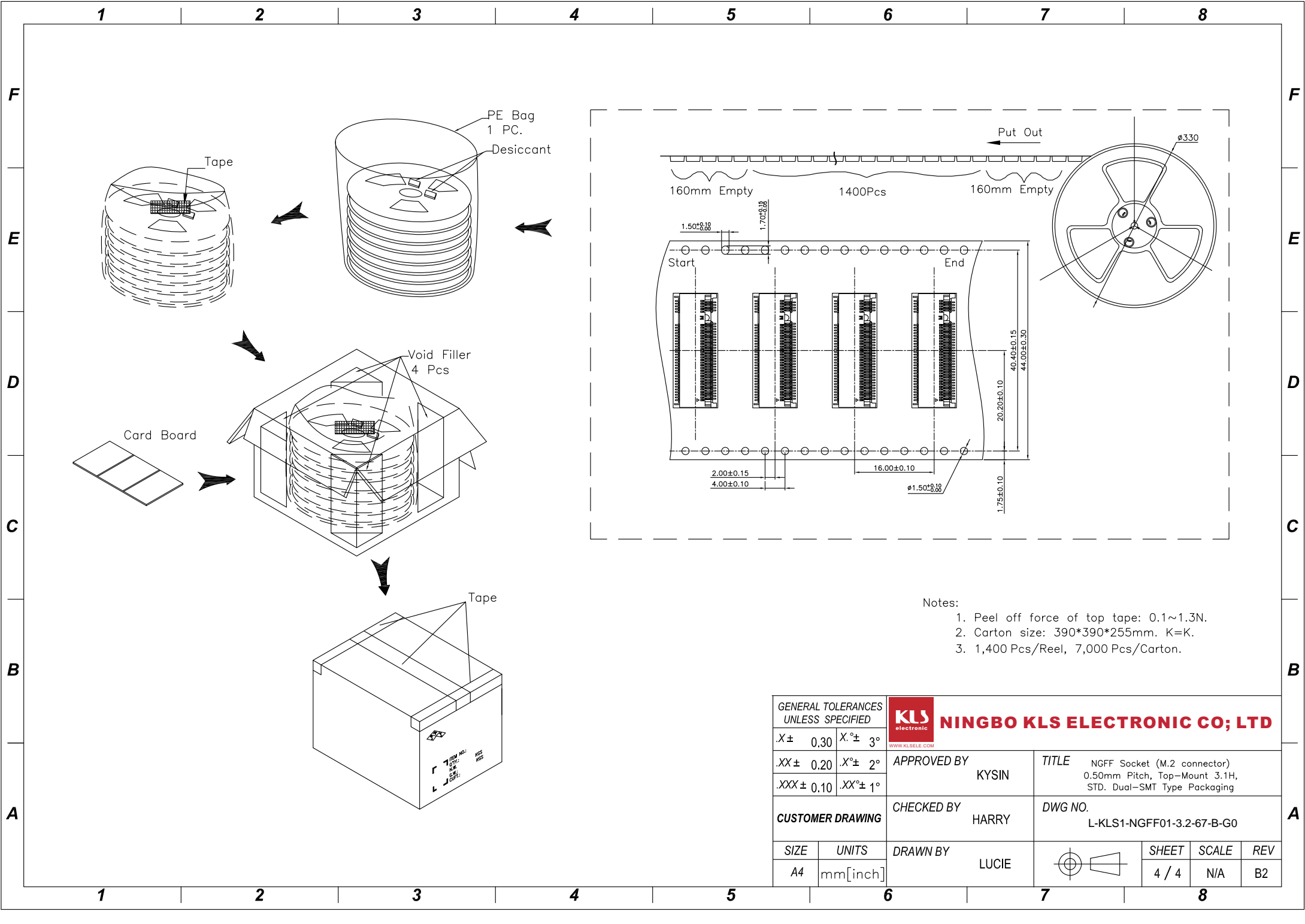


Recommended Mould Finger Layout  
Default Tolerance: ±0.05mm


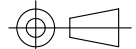


Recommended P.C.B Layout (Top View)  
Default Tolerance: ±0.05mm

GENERAL TOLERANCES UNLESS SPECIFIED		 <b>NINGBO KLS ELECTRONIC CO; LTD</b> <small>WWW.KLS.ELE.COM</small>							
.X± 0.30	X.°± 3°								
.XX± 0.20	X.°± 2°	APPROVED BY KYSIN	TITLE NGFF Socket (M.2 connector) 0.50mm Pitch, Top-Mount 3.1H, STD. M-Key, Dual-SMT Layout						
.XXX± 0.10	.XX°± 1°	CHECKED BY HARRY	DWG NO. L-KLS1-NGFF01-3.2-67-B-G0						
SIZE	UNITS	DRAWN BY LUCIE	 <table border="1"> <tr> <td>SHEET</td> <td>SCALE</td> <td>REV</td> </tr> <tr> <td>3 / 4</td> <td>N/A</td> <td>B2</td> </tr> </table>	SHEET	SCALE	REV	3 / 4	N/A	B2
SHEET	SCALE	REV							
3 / 4	N/A	B2							
A4	mm[inch]								



- Notes:
1. Peel off force of top tape: 0.1~1.3N.
  2. Carton size: 390\*390\*255mm. K=K.
  3. 1,400 Pcs/Reel, 7,000 Pcs/Carton.

GENERAL TOLERANCES UNLESS SPECIFIED		 <b>NINGBO KLS ELECTRONIC CO; LTD</b> <small>WWW.KLS.ELE.COM</small>							
.X ± 0.30	X.° ± 3°								
.XX ± 0.20	X.° ± 2°	APPROVED BY KYSIN	TITLE NGFF Socket (M.2 connector) 0.50mm Pitch, Top-Mount 3.1H, STD. Dual-SMT Type Packaging						
.XXX ± 0.10	.XX° ± 1°								
CUSTOMER DRAWING		CHECKED BY HARRY	DWG NO. L-KLS1-NGFF01-3.2-67-B-G0						
SIZE A4	UNITS mm[inch]	DRAWN BY LUCIE	 <table border="1"> <tr> <td>SHEET</td> <td>SCALE</td> <td>REV</td> </tr> <tr> <td>4 / 4</td> <td>N/A</td> <td>B2</td> </tr> </table>	SHEET	SCALE	REV	4 / 4	N/A	B2
SHEET	SCALE	REV							
4 / 4	N/A	B2							