

# TERMINAL BLOCK Connector



## Pluggable Terminal Blocks

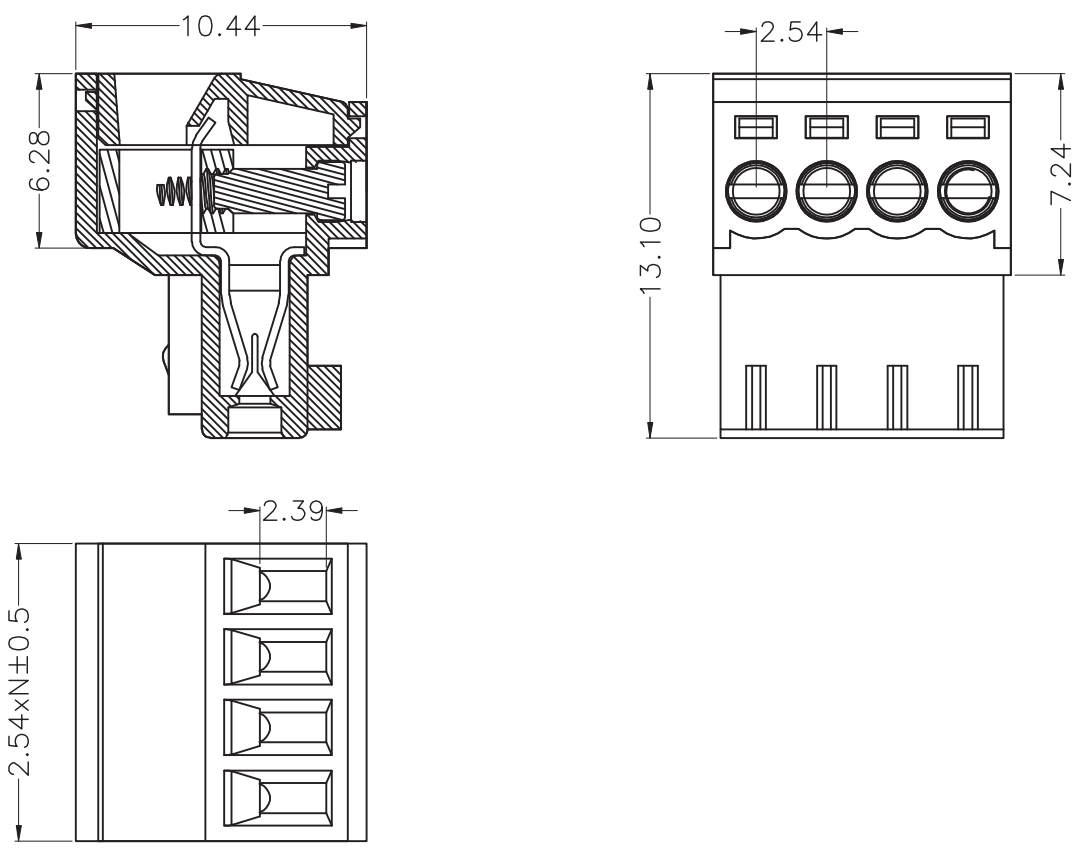
KLS2-EDK-2.54 Pluggable Terminal Block 2.54mm Pitch

### Electrical :

- Rated voltage: 125V
- Rated current: 4A
- Contact resistance: 20mΩ
- Insulator Resistance: 5000MΩ/1000V
- Withstanding Voltage: AC1250V/1Min
- Wire range: 28-20 AWG 0.5MM<sup>2</sup>
- Temp. Range: -40°C~+105°C

### Material:

- Housing: PA66, UL94V-0
- Pin header: Phosphor bronze, Zinc Plated



## ORDER INFORMATION

Product NO.: KLS2-EDK-2.54-XX-1

