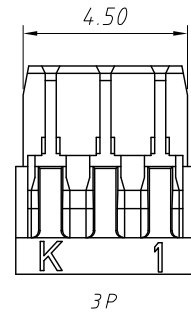
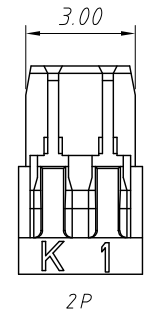
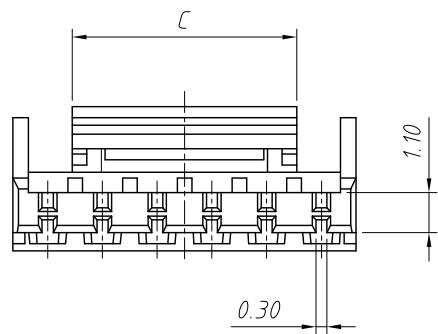


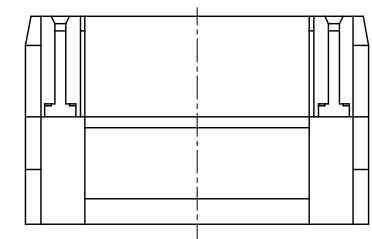
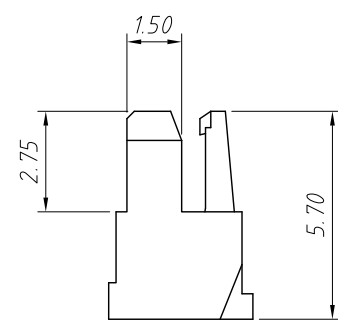
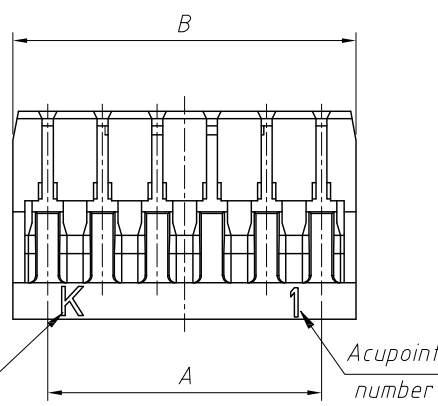
1  
RoHS Compliance



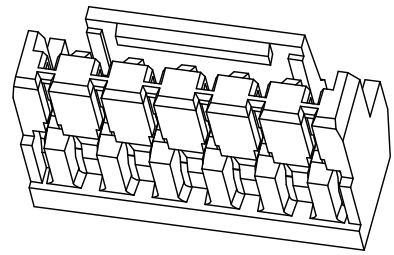
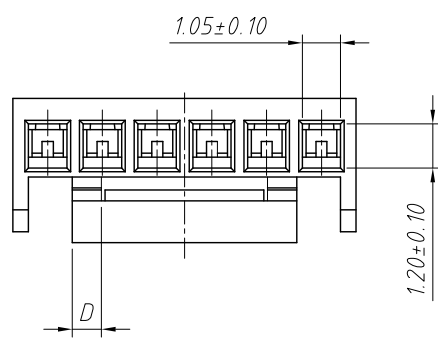
Pin	Dimensions(mm)			
	A	B	C	D
02	1.50	3.00	1.90	0.50
03	3.00	4.50	2.90	0.80
04	4.50	6.40	4.15	0.80
05	6.00	7.90	4.15	0.80
06	7.50	9.40	6.15	0.80

Material:  
Housing:PA66 ,UL94V-0

Electrical Characteristics:  
Current rating:1.0A AC,DC  
Voltage rating:50V AC,DC  
Temperature range:-40°C ~ + 105°C  
Insulation resistance:100MΩ/Min.  
Withstanding voltage:500V AC/minute  
Contact resistance:30mΩ/Max.

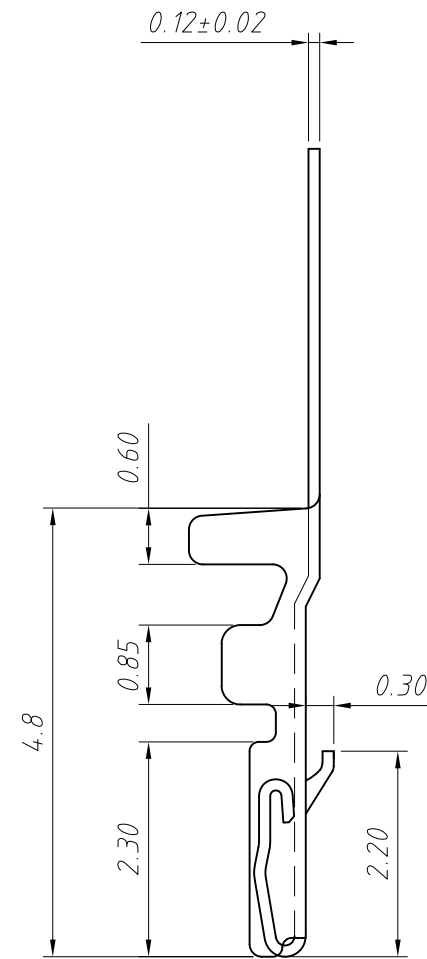
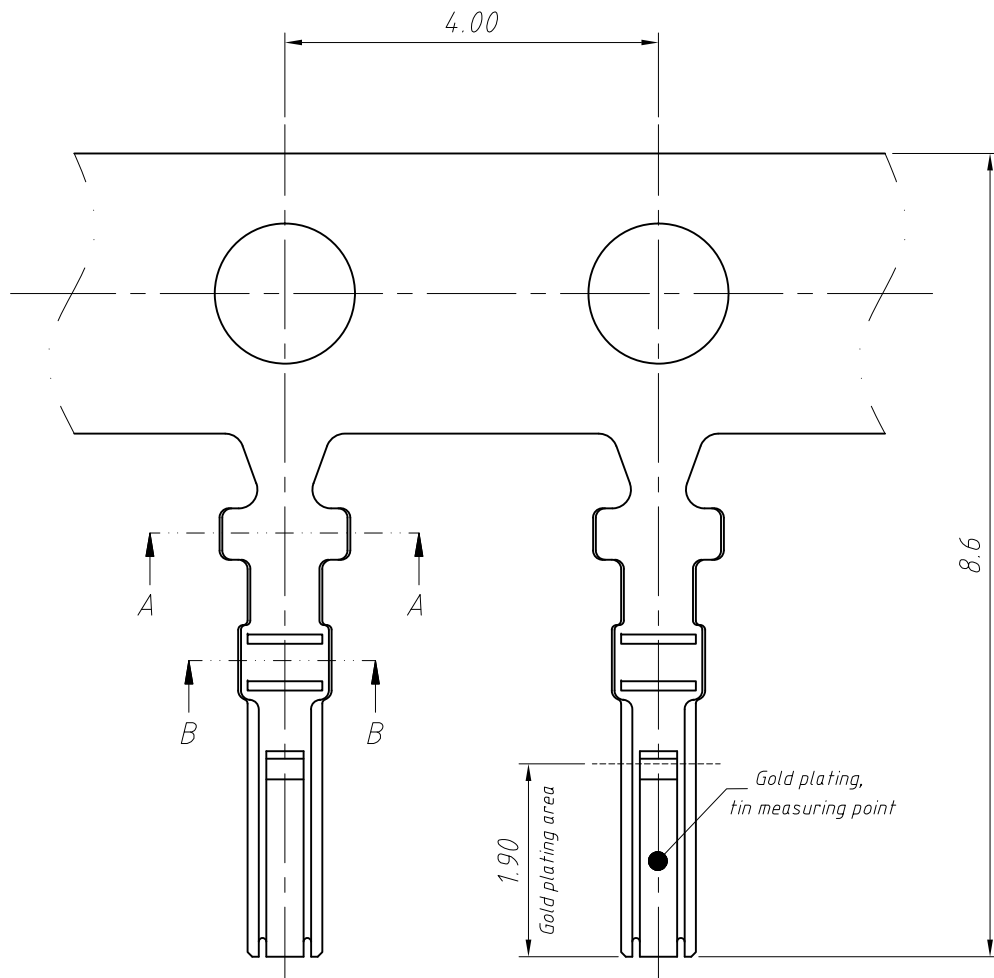


Order Information:  
L-KLS1-XL3-1.50-XX-H  
L: RoHS  
Pitch:1.50mm  
XX-No. of 02~06 pins  
Type:  
H-Hosing T-Terminal  
VM-Vertical SMT Pin  
RM-Horizontal SMT Pin



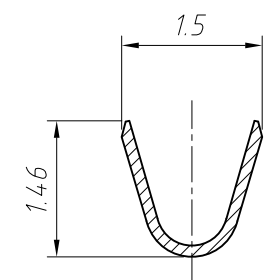
ANGLE TOLERANCE		PROJECTION		Description:	
±3°				1.50mm Pitch Wire To Board Connector	
GENERAL TOLERANCE		UNITS	mm	KLS P/N:	L-KLS1-XL3-1.50-XX-H
x.x	±0.30	SHEET SIZE	A4		
x.xx	±0.20	Draw:	Daniel	2020-11-11	
x.xxx	±0.10	Check:	Daniel	2020-11-11	



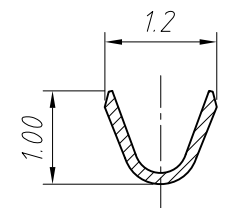
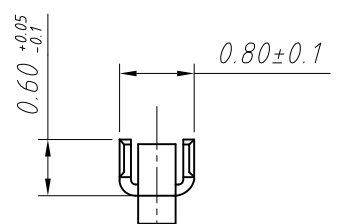


**Material:**  
 Terminal: Phosphor Bronze  
 Applicable wires:  
 Conductor size: AWG#26 ~ #32  
 Insulation O.D. : 1.0mm Max.  
 Finish: Tin plated or Gold plated contact area or Gold plated 40u"  
 Q'TY/Reel: 20,000PCS

**Electrical Specification:**  
 Current rating: 1A AC, DC  
 Voltage rating: 50V AC, DC  
 Contact resistance: 30mΩ Max  
 Insulation resistance: 100MΩ/min.  
 Withstanding voltage: 500V AC/ minute.  
 Temperature Range: -25°C ~ +85°C



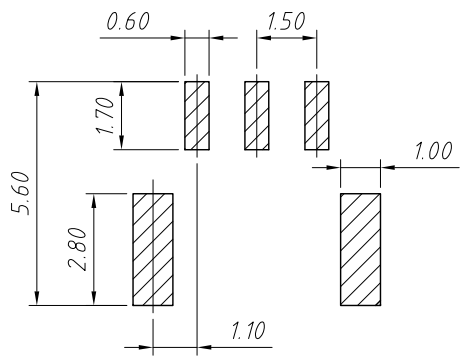
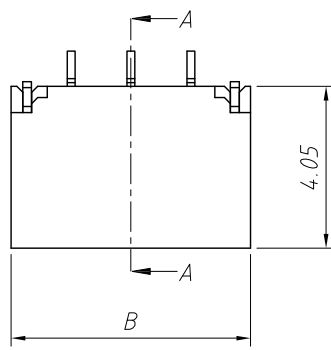
Section: A-A



Section: B-B

GENERAL TOLERANCE	PROJECTION		Description:
X. ±0.30	UNITS	mm	1.50mm Connectors Terminal
.X ±0.20	SCALE	1:1	
.XX ±0.10	Draw by:	Jenny	
ANGLE TOLERANCE	Check by:		KLS P/N: L-KLS1-XL3-1.50-T
X. ±5°	Date	2018-03-01	NingBo KLS ELECTRONIC CO.,L TD.
.X ±3°	SHEET	1 OF 1	
.XX ±2°			

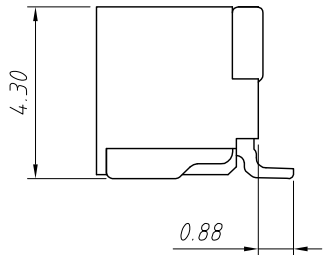
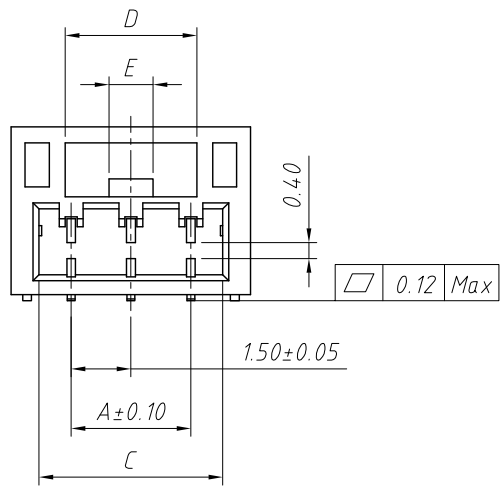
1  
RoHS Compliance



Recommended PCB Layout  
Total Tolerance ±0.05

Material:  
Insulator: PA6T or LCP, UL94V-0  
Contact: Copper alloy  
Plating: Matte Tin plated

Electrical Characteristics:  
Current rating: 1.0A AC, DC  
Voltage rating: 50V AC, DC  
Temperature range: -40°C ~ +105°C  
Insulation resistance: 100MΩ/Min.  
Withstanding voltage: 500V AC/minute  
Contact resistance: 30mΩ/Max.



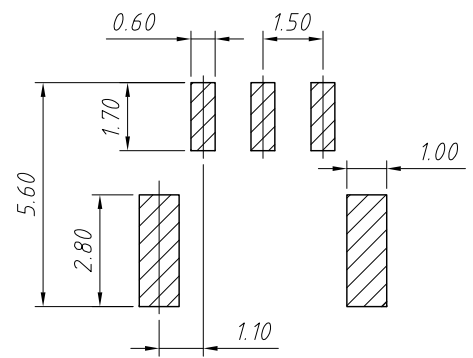
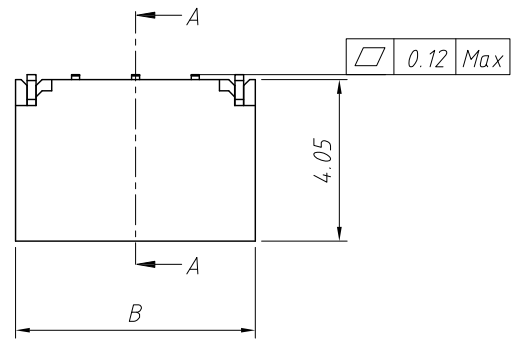
Order Information:  
L-KLS1-XL3-1.50-XX-VM  
L: RoHS  
Pitch: 1.50mm  
XX-No. of 02~06 pins  
Type:  
H-Hosing T-Terminal  
VM-Vertical SMT Pin  
RM-Horizontal SMT Pin

Pin	Dimensions (mm)				
	A	B	C	D	E
02	1.50	4.50	3.10	2.20	0.80
03	3.00	6.00	4.60	3.45	1.60
04	4.50	7.90	6.50	4.55	2.35
05	6.00	9.40	8.00	4.55	2.35
06	7.50	10.90	9.50	6.55	4.35

ANGLE TOLERANCE	PROJECTION	Description:
±3°		1.50mm Pitch Wire To Board Connector
GENERAL TOLERANCE	UNITS	mm
x.x ±0.30	SHEET SIZE	A4
x.xx ±0.20	Draw:	Daniel 2020-11-11
x.xxx ±0.10	Check:	Daniel 2020-11-11

NingBo KLS ELECTRONIC CO., L TD.

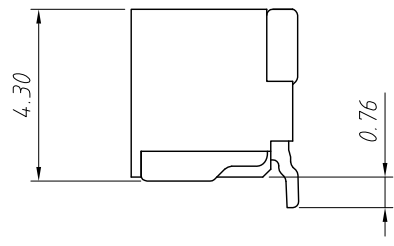
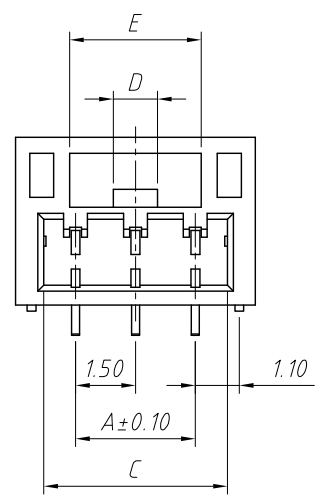
1  
RoHS Compliance



Recommended PCB Layout  
Total Tolerance ±0.05

Material:  
Insulator: PA6T, UL94V-0  
Contact: Copper alloy  
Plating: Matte Tin plated

Electrical Characteristics:  
Current rating: 1.0A AC, DC  
Voltage rating: 50V AC, DC  
Temperature range: -40°C ~ +105°C  
Insulation resistance: 100MΩ/Min.  
Withstanding voltage: 500V AC/minute  
Contact resistance: 30mΩ/Max.



Order Information:  
L-KLS1-XL3-1.50-XX-RM  
L: RoHS  
Pitch: 1.50mm  
XX-No. of 02~06 pins  
Type:  
H-Hosing T-Terminal  
VM-Vertical SMT Pin  
RM-Horizontal SMT Pin

Pin	Dimensions (mm)				
	A	B	C	D	E
02	1.50	4.50	3.10	2.20	0.80
03	3.00	6.00	4.60	3.45	1.60
04	4.50	7.90	6.50	4.55	2.35
05	6.00	9.40	8.00	4.55	2.35
06	7.50	10.90	9.50	6.55	4.35

ANGLE TOLERANCE	PROJECTION	Description:		
±3°		1.50mm Pitch Wire To Board Connector		
GENERAL TOLERANCE	UNITS	mm	KLS P/N:	L-KLS1-XL3-1.50-XX-RM
x.x ±0.30	SHEET SIZE	A4		
x.xx ±0.20	Draw:	Daniel	2020-11-11	
x.xxx ±0.10	Check:	Daniel	2020-11-11	

**KLS** NingBo KLS ELECTRONIC CO., L TD.