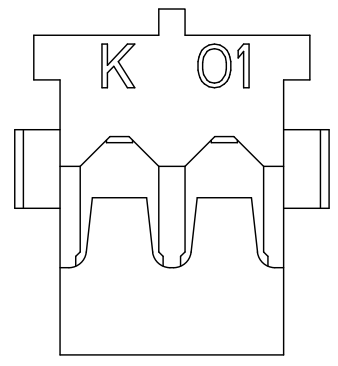
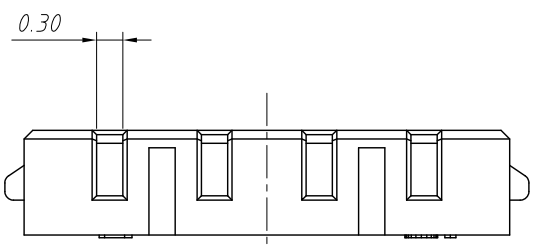
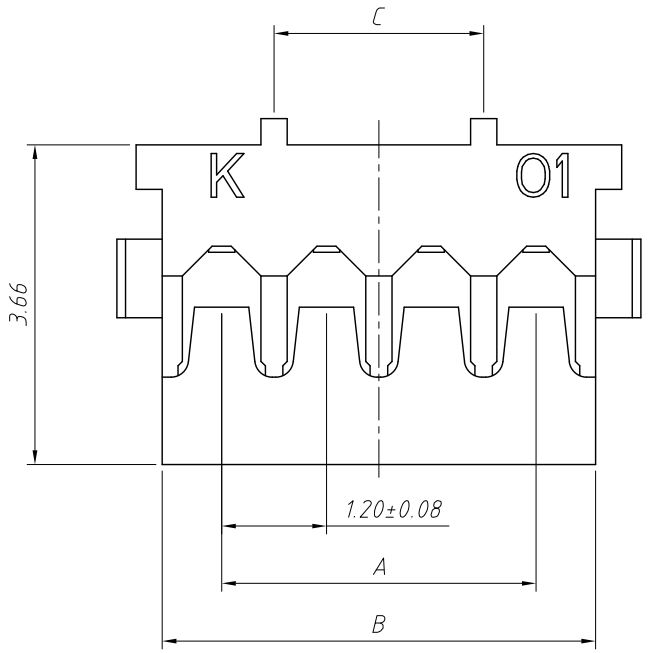


1
RoHS Compliance

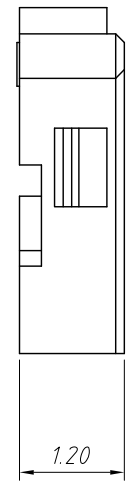


Material:
Housing:Nylon46 ,UL 94V-0
Colour:White

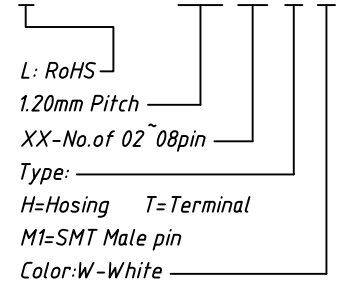
Electrical Characteristics:
Current rating:1.5A AC,DC
Voltage rating:50V AC,DC
Temperature range:-25°C ~ + 85°C
Insulationresistance:100MΩ/Min.
Withstanding voltage:500V AC/minute
Contact resistance:20mΩ/Max.



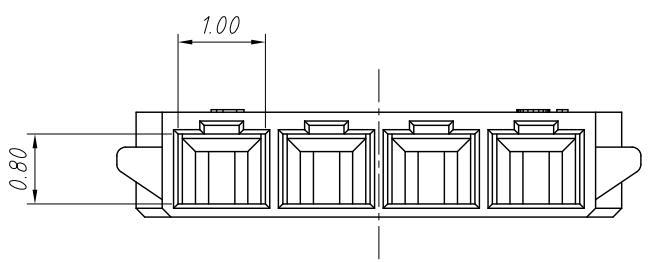
2 P



Order Information:
L-KLS1-XL2-1.20-XX-H-W

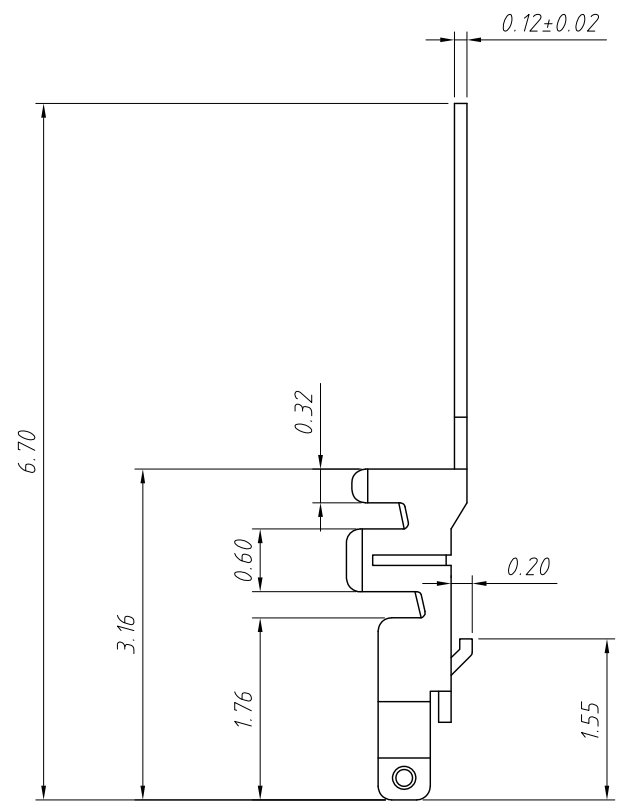
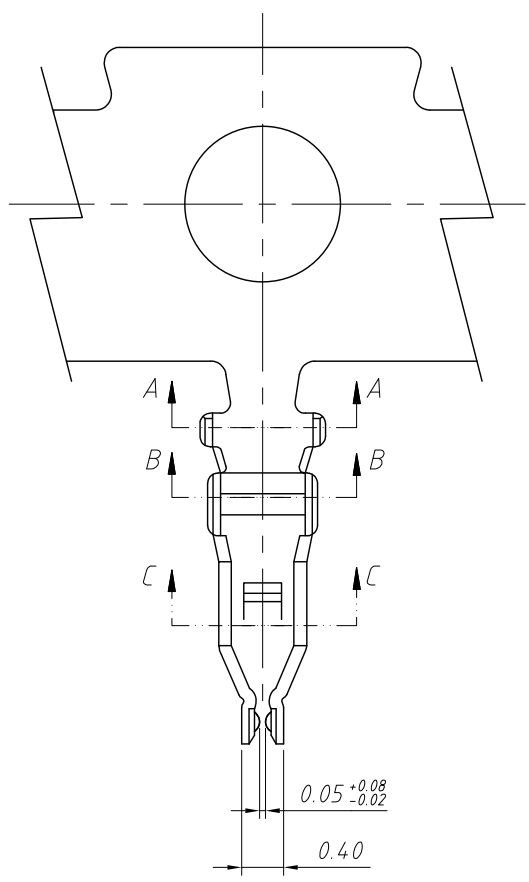


PIN.	Dimensions(mm)		
	A	B	C
02	1.20	2.60	---
03	2.40	3.80	1.20
04	3.60	5.00	2.40
05	4.80	6.20	3.60
06	6.00	7.40	4.80
07	7.20	8.60	6.00
08	8.40	9.80	7.20



ANGLE TOLERANCE	PROJECTION	Description:		
±3°		1.20mm Pitch JST ACH wire to board connector		
GENERAL TOLERANCE	UNITS	mm	KLS P/N:	L-KLS1-XL2-1.20-XX-H-W
x.x ±0.30	SHEET SIZE	A4		
x.xx ±0.20	Draw:	Daniel	2020-11-11	NingBo KLS ELECTRONIC CO.,L TD.
x.xxx ±0.10	Check:	Daniel	2020-11-11	

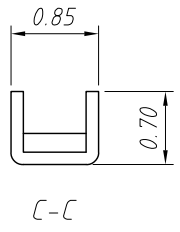
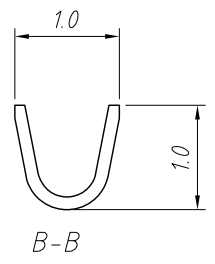
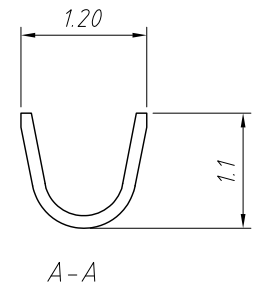
1
RoHS Compliance



Material:
Terminal: Phosphor Bronze
Finish: Gold-flash over Nickel
Applicable Wires: AWG#30 ~ #28
Insulation O.D. : 0.70mm MAX

Electrical Characteristics:
Current rating: 1.5A AC,DC
Voltage rating: 50V AC,DC
Temperature range: -25°C ~ +85°C
Insulation resistance: 100MΩ/Min.
Withstanding voltage: 500V AC/minute
Contact resistance: 20mΩ/Max.

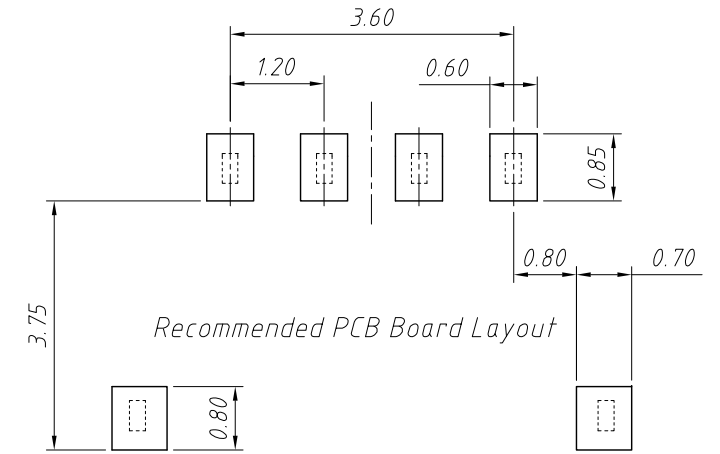
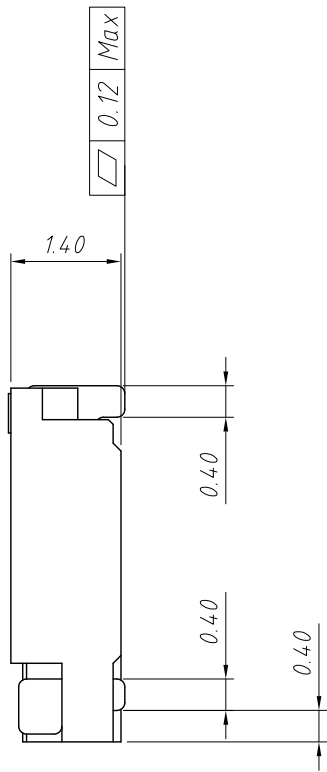
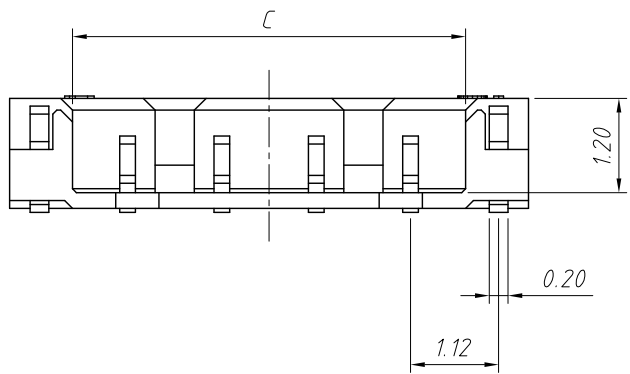
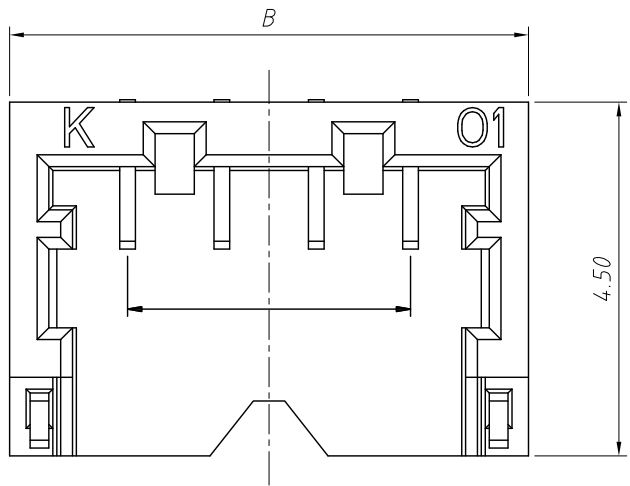
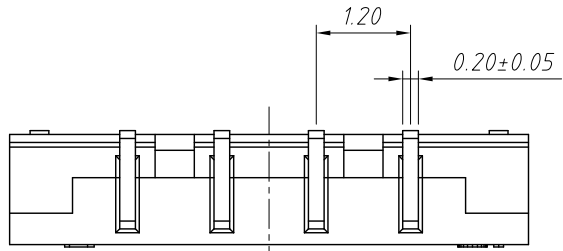
Order Information:
L-KLS1-XL2-1.20-T
 L: RoHS
 1.20mm Pitch
 Type:
 H=Hosing T=Terminal
 M1=SMT Male pin



ANGLE TOLERANCE		PROJECTION		Description:	
±3°				1.20mm Pitch Wire to board connector, Terminal	
GENERAL TOLERANCE		UNITS	mm	KLS P/N:	
x.x	±0.30	SHEET SIZE	A4	L-KLS1-XL2-1.20-T	
x.xx	±0.20	Draw:	Daniel	2020-11-11	
x.xxx	±0.10	Check:	Daniel	2020-11-11	

NingBo KLS ELECTRONIC CO.,L TD.

RoHS Compliance



Material:
 Insulator: PA9T, UL 94V-0, Black
 Contact: Phosphor bronze, Gold Flash plated
 Fitting Nail: Brass, Tin plated
Electrical Characteristics:
 Current rating: 1.5A AC, DC
 Voltage rating: 50V AC, DC
 Temperature range: -25°C ~ +85°C
 Insulation resistance: 100MΩ/Min.
 Withstanding voltage: 500V AC/minute
 Contact resistance: 20mΩ/Max.

Order Information:
 L-KLS1-XL2-1.20-XX-M1-W
 L: RoHS
 1.20mm Pitch
 XX-No. of 02~08pin
 Type: M1=SMT Male pin
 H=Hosing T=Terminal
 Color: W=White

PIN.	Dimensions(mm)		
	A	B	C
02	1.20	4.30	2.64
03	2.40	5.50	3.84
04	3.60	6.70	5.04
05	4.80	7.90	6.24
06	6.00	9.10	7.44
07	7.20	10.30	8.64
08	8.40	11.50	9.84

ANGLE TOLERANCE		PROJECTION		Description:	
±3°				1.20mm Pitch JST ACH wire to board connector	
GENERAL TOLERANCE		UNITS	mm	KLS P/N:	
x.x	±0.30	SHEET SIZE	A4	L-KLS1-XL2-1.20-XX-M1-W	
x.xx	±0.20	Draw:	Daniel	2020-11-11	
x.xxx	±0.10	Check:	Daniel	2020-11-11	

NingBo KLS ELECTRONIC CO.,LTD.