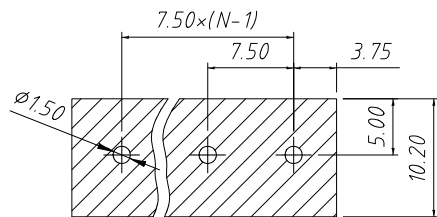
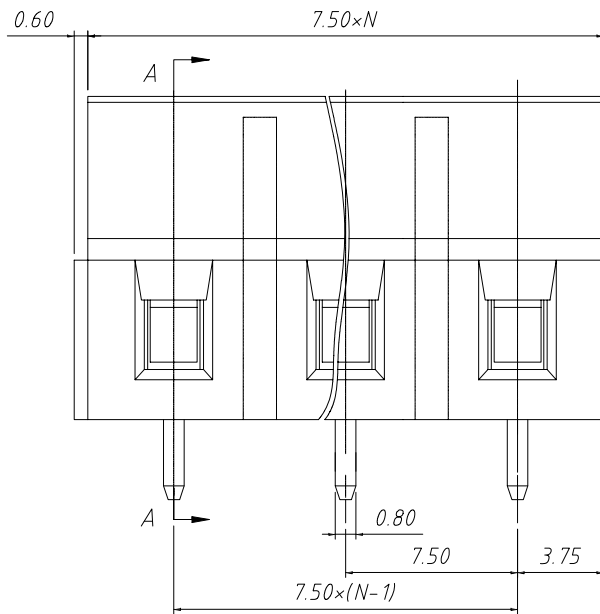
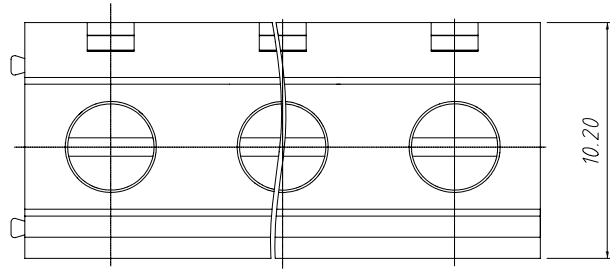
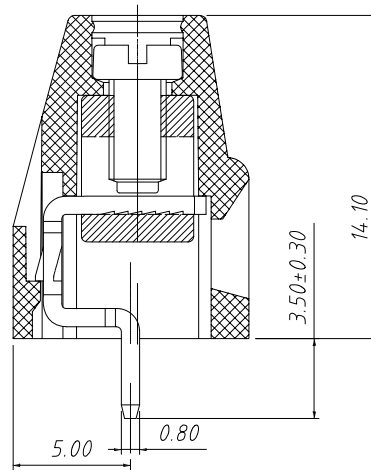


1 RoHS Compliance



PCB LAYOUT



SECTION A-A

Material

Screw: M2.5, Steel, Zn plated
 Cage: Brass, Nickel plated
 Pin header: Brass, Tin plated
 Housing: PA66, UL94V-0

Electrical

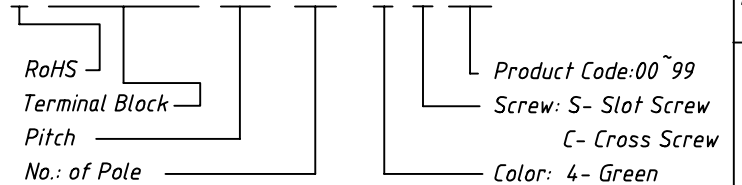
Rated voltage: 300V
 Rated current: 16A
 Wire range: 22 ~ 12AWG 2.5mm²
 Contact Resistance: 20 mΩ
 Insulation resistance: 500MΩ/DC500V
 Withstand voltage: AC2000V / 1 min

Mechanical

Temp. Range: -40 °C ~ +105 °C
 Soldering: 250 °C 5Sec. Max.
 Torque: 0.4 N.m (3.54 Lb. in)
 Strip length: 6 ~ 7 mm

Order Information

L-KLS2-128 -7.50-XXP-4 S XX



ANGLE TOLERANCE	PROJECTION	Description:
±3°		Screw CONN TERM BLOCK 7.50MM
GENERAL TOLERANCE	UNITS	mm
x.x ±0.30	SHEET SIZE	A4
x.xx ±0.20	Draw:	Daniel 2020-11-11
x.xxx ±0.10	Check:	Daniel 2020-11-11



NingBo KLS ELECTRONIC CO.,LTD.