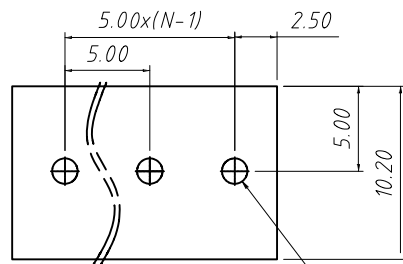
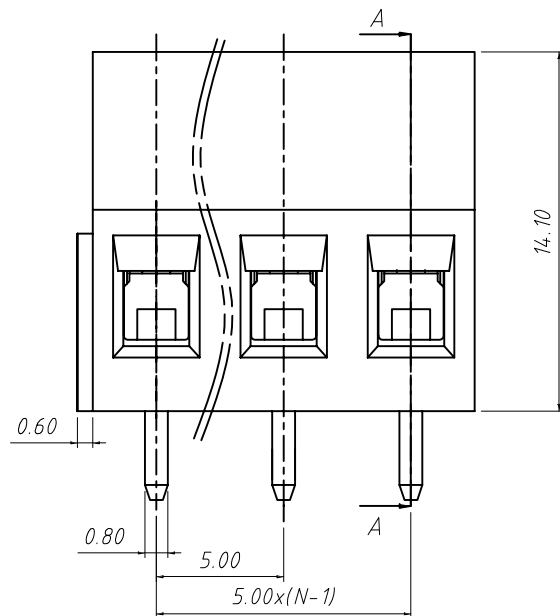
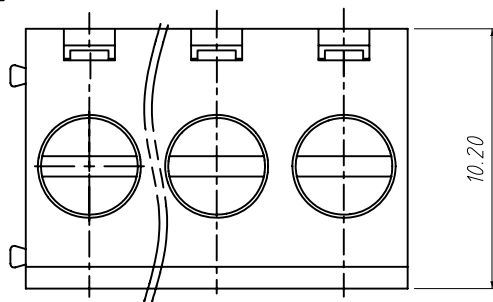
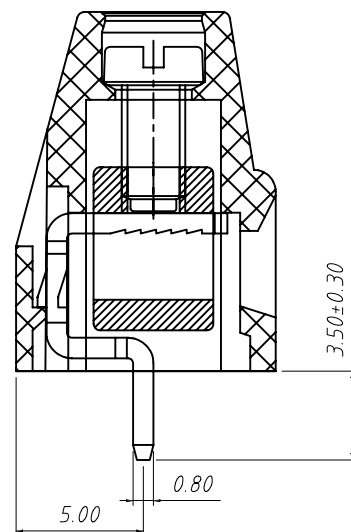


RoHS Compliance



PCB LAYOUT



SECTION A-A

Material

Screw: M2.5, Steel, Zn plated

Cage: Brass, Nickel plated

Pin header: Brass, Tin plated

Housing: PA66, UL 94V-0

Electrical

Rated voltage: 300V

Rated current: 16A

Wire range: 22~12AWG 2.5mm²

Contact Resistance: 20 mΩ

Insulation resistance: 500MΩ/DC500V

Withstand voltage: AC2000V / 1 min

Mechanical

Temp. Range: -40 °C ~ +105 °C

Soldering: 250 °C 5Sec. Max.

Torque: 0.4 N.m (3.54 Lb. in)

Strip length: 6~7 mm

Order Information

L-KLS2-128 -5.00-XXP-4 S XX

RoHS
Terminal Block
Pitch
No : of Pole

Product Code:00~99
Screw: S- Slot Screw
C- Cross Screw
Color: 4- Green

ANGLE TOLERANCE	PROJECTION	Description:
±3°		Screw CONN TERM BLOCK 5.0MM
GENERAL TOLERANCE	UNITS	mm
x.x ±0.30	SHEET SIZE	A4
x.xx ±0.20	Draw:	Daniel 2020-11-11
x.xxx ±0.10	Check:	Daniel 2020-11-11



NingBo KLS ELECTRONIC CO.,L TD.