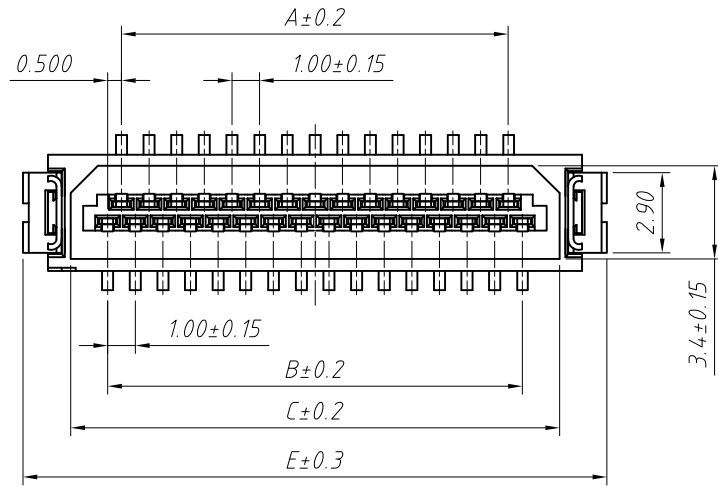


1 RoHS Compliance

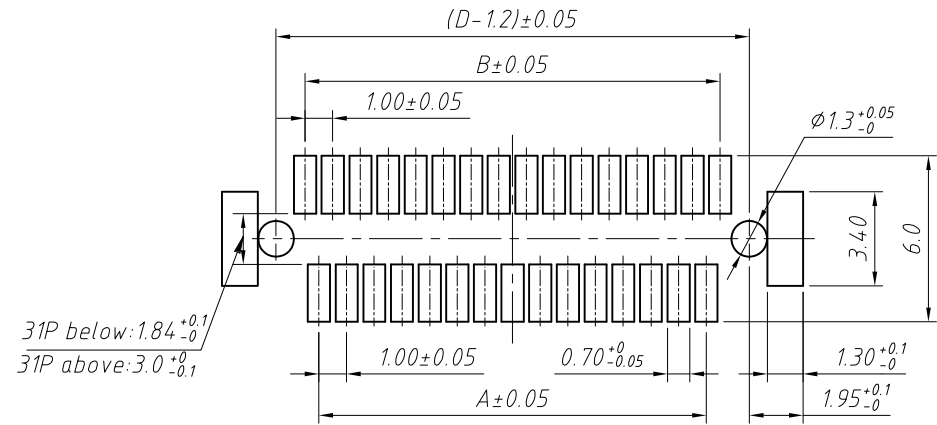
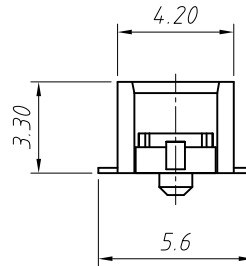
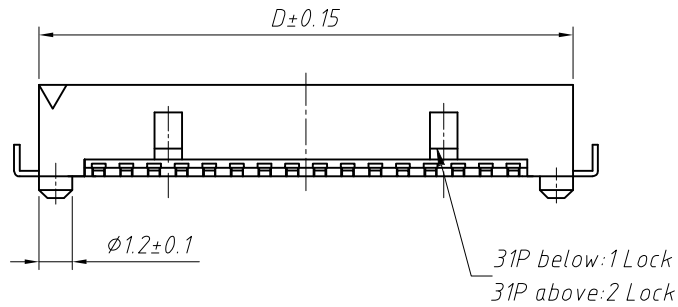


Dimension Manual

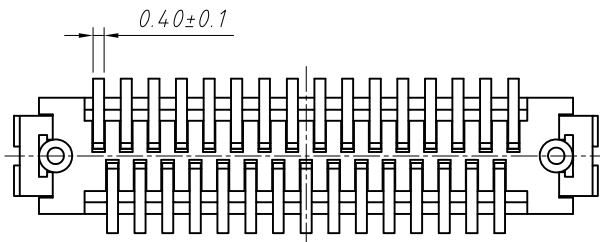
PIN	A	B	C	D	E
21	9.00	10.00	12.60	14.30	16.10
31	14.00	15.00	17.60	17.30	21.10
41	19.00	20.00	22.60	24.30	26.10
51	24.00	25.00	27.60	29.30	31.10

Material:
 Housing: Nylon 46 UL94V-0
 Contacts: Phosphor Bronze
 Solder Nail: Alloy copper
 Plating: Tin plated over Nickel

Electrical Specification:
 Current rating: 0.5A AC, DC
 Voltage rating: 150V AC, DC
 Temperature range: -25 °C - + 85°C
 Insulation resistance: 500MQ Min
 Withstanding voltage: 250V AC / minute
 Contact resistance: 50mΩ Max



Recommended PCB Layout



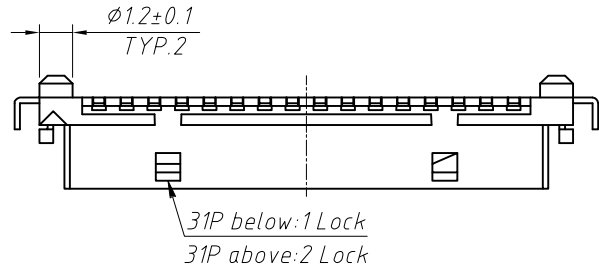
Order Information:
 L-KLS1-3721-XX-M
 L: RoHS
 XX-No. of
 21 31 41 51 pins
 Type:
 M-Male F-Female

ANGLE TOLERANCE	PROJECTION	Description:
±3°		1.00mm Pitch HRS DF9 type Board to Board Connector
GENERAL TOLERANCE	UNITS	mm
x.x ±0.30	SHEET SIZE	A4
x.xx ±0.20	Draw:	Daniel 2020-11-11
x.xxx ±0.10	Check:	Daniel 2020-11-11



NingBo KLS ELECTRONIC CO.,LTD.

RoHS Compliance



Dimension Manual

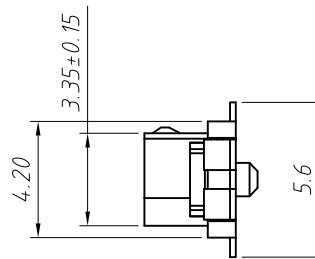
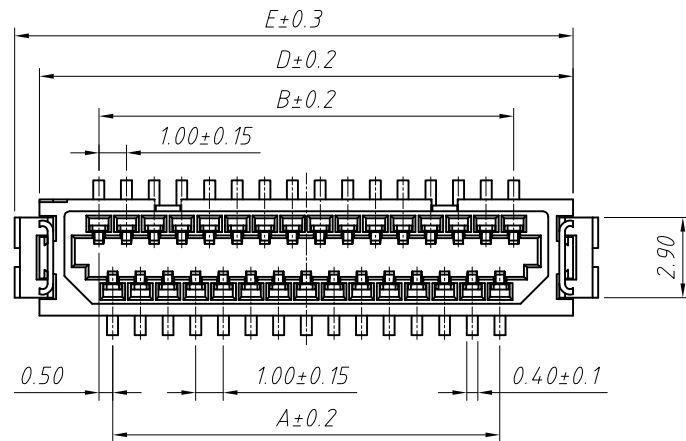
PIN	A	B	C	D	E
21	9.00	10.00	12.60	14.30	16.10
31	14.00	15.00	17.60	17.30	21.10
41	19.00	20.00	22.60	24.30	26.10
51	24.00	25.00	27.60	29.30	31.10

Material:

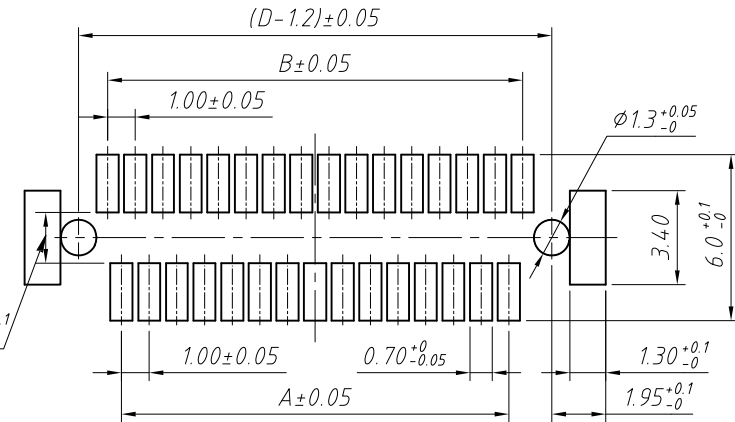
Housing: Nylon 46 UL 94V-0
 Contacts: Phosphor Bronze
 Solder Nail: Alloy copper
 Plating: Tin plated over Nickel

Electrical Specification:

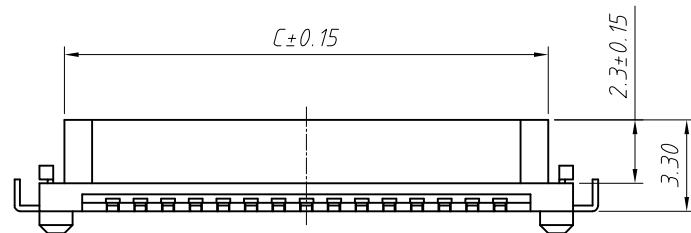
Current rating: 0.5A AC, DC
 Voltage rating: 150V AC, DC
 Temperature range: -25 °C - + 85°C
 Insulation resistance: 500MQ Min
 Withstanding voltage: 250V AC / minute
 Contact resistance: 50mΩ Max



31P below: 1.84^{+0.1}₋₀
 31P above: 3.0⁺⁰_{-0.1}



Recommended PCB Layout



Order Information:

L-KLS1-3721-XX-F

L: RoHS

XX-No. of

21 31 41 51 pins

Type:

M-Male F-Female

ANGLE TOLERANCE	PROJECTION	Description:
±3°		1.00mm Pitch HRS DF9 type Board to Board Connector
GENERAL TOLERANCE	UNITS	mm
x.x ±0.30	SHEET SIZE	A4
x.xx ±0.20	Draw:	Daniel 2020-11-11
x.xxx ±0.10	Check:	Daniel 2020-11-11



NingBo KLS ELECTRONIC CO.,LTD.