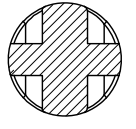
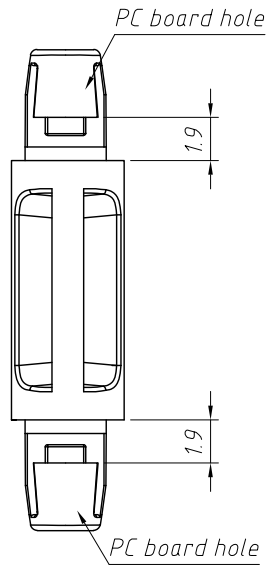
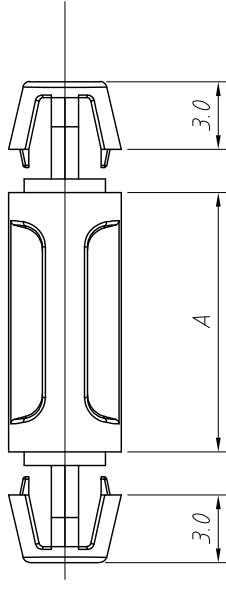
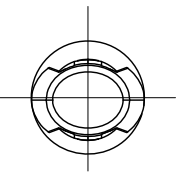
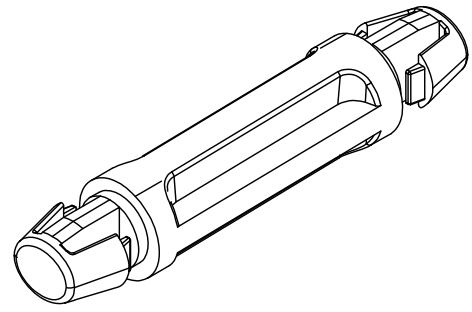


1
RoHS Compliance



Material: PA 66 (UL 94V-2), NATURAL
 Working temperature: 0°C ~ 80°C
 Dipping Bibulous: 2.5% at 20°C 24H 50% Humidity
 Withstand Voltage: 2500V/0.5mA/1m
 Heat Resistance: B-130°C (30m without melting at 200 °C)
 Application: the fixed PC board on the boards, free tools



Item No.	A mm	PC board	
		PCB Hole	Thickness
BLF-03	3.5	∅4.0	1.2 1.7
BLF-05	5.0	∅4.0	1.2 1.7
BLF-06	6.4	∅4.0	1.2 1.7
BLF-08	8.0	∅4.0	1.2 1.7
BLF-10	10.5	∅4.0	1.2 1.7
BLF-11	11.5	∅4.0	1.2 1.7
BLF-12	12.7	∅4.0	1.2 1.7
BLF-15	15.9	∅4.0	1.2 1.7
BLF-19	19.0	∅4.0	1.2 1.7
BLF-20	20.0	∅4.0	1.2 1.7
BLF-25	25.0	∅4.0	1.2 1.7
BLF-27	27.0	∅4.0	1.2 1.7
BLF-30	30.0	∅4.0	1.2 1.7
BLF-34	34.0	∅4.0	1.2 1.7

ANGLE TOLERANCE	PROJECTION	Description:	
±3°		Spacer Support	
GENERAL TOLERANCE	UNITS	mm	KLS P/N:
x.x ±0.30	SHEET SIZE	A4	L-KLS8-0220-BLF-XX
x.xx ±0.20	Draw:	Daniel	2020-11-11
x.xxx ±0.10	Check:	Daniel	2020-11-11



NingBo KLS ELECTRONIC CO.,LTD.