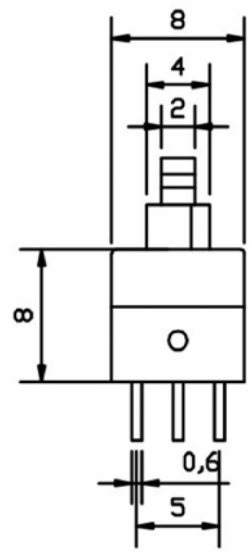
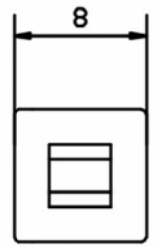
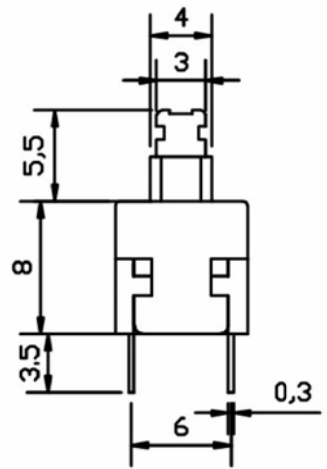
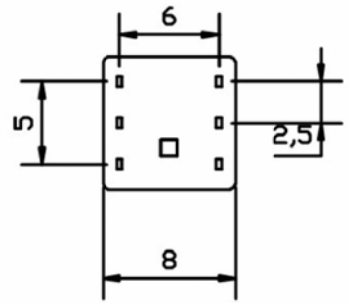
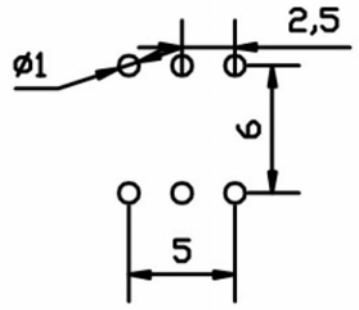


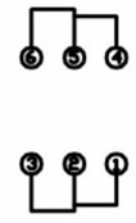
1  
RoHS Compliance



Hole Dimensions



Circuit Diagram



- Material:
- 1.Cover:Polycarbonate
  - 2.Housing:PA66
  - 3.Spring:Carbon cable steel wire
  - 4.Contacts:POM
  - 5.Reed
  - 6.Crochet hook

- Specification:
- Rating: 0.1A 30V DC
  - Contact Resistance:0.03 $\Omega$  Max
  - Insulation Resistance:100M $\Omega$  Min
  - Withstanding Voltage: AC 250V (50Hz) min
  - Mechanical Life: 100000 Cycles
  - Electrical Life: 50000 Cycles
  - Operating Force: 160  $\pm$  80g

Order Information:  
 L-KLS7-P8.0x8.0-X  
 L: RoHS  
 Mini Push Switch  
 8.0x8.0mm  
 Function:  
 0 = Non Lock Type  
 1 = With Lock Type

ANGLE TOLERANCE	PROJECTION	Description:	Mini Push Switch 8.0X8.0mm	
$\pm 3^\circ$				
GENERAL TOLERANCE	UNITS	mm	KLS P/N:	L-KLS7-P8.0x8.0-X
x.x $\pm 0.30$	SHEET SIZE	A4		
x.xx $\pm 0.20$	Draw:	Daniel	2020-11-11	 KLS ELECTRONIC CO.,L TD.
x.xxx $\pm 0.10$	Check:	Daniel	2020-11-11	