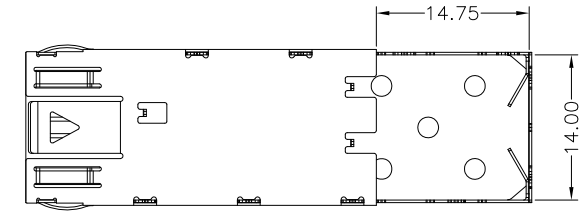
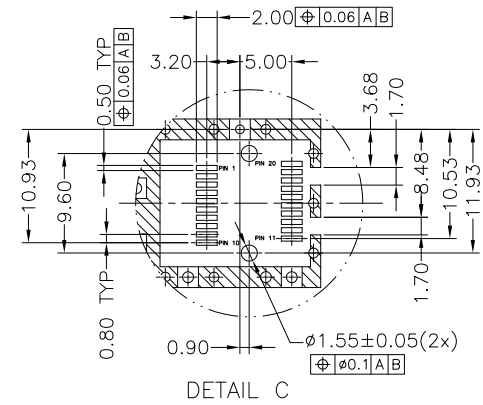
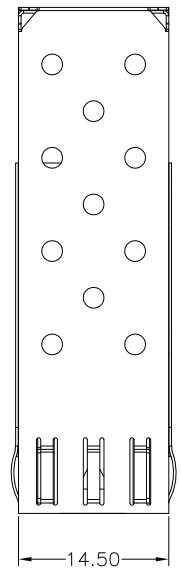
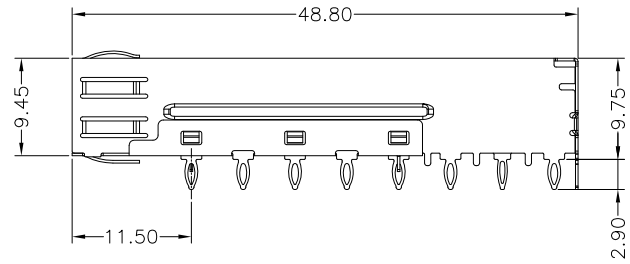
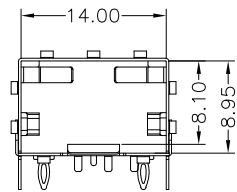


RoHS Compliant

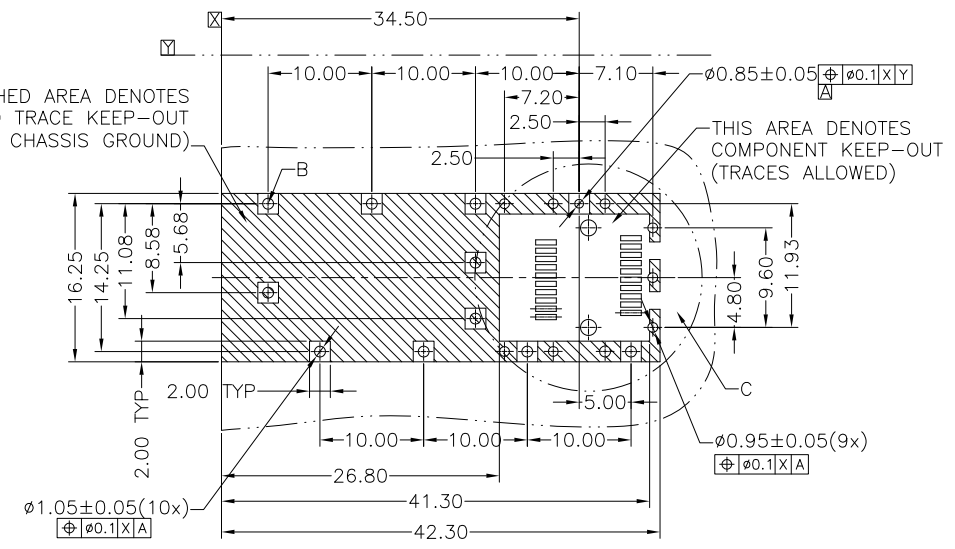
REV	MODIFICATION	DATE	DRAW	APPROVE



BOTTOM VIEW



CROSS-HATCHED AREA DENOTES COMPONENT AND TRACE KEEP-OUT (EXCEPT CHASSIS GROUND)



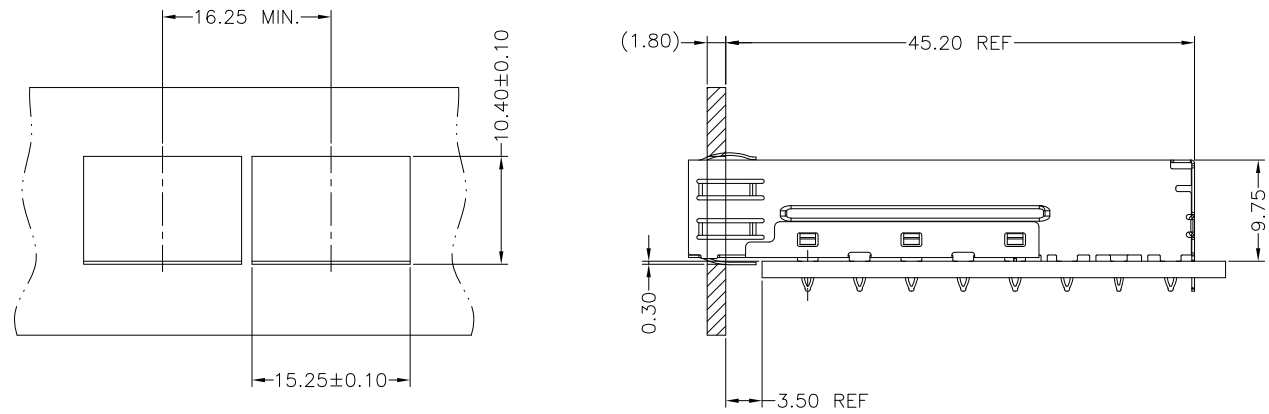
RECOMMENDED PCB LAYOUT—COMPONENT SIDE  
PCB THICKNESS 1.6MM MIN  
TOLERANCE: ±0.05 MM

NOTES:  
MECHANICAL:  
CAGES: COPPER ALLOY, THICKNESS 0.25MM.  
PLATING: NO NEED.  
THIS CAGE IS FOR SINGLE SIDE USE ONLY.  
TEMPERATURE:  
OPERATION: -40°C~+85°C  
STORAGE: -40°C~+85°C  
RoHS COMPLIANCE.

Inspection Item	DIMENSION IN mm [Inch]		<b>KLS</b> NINGBO KLS ELECTRONIC CO; LTD <small>electronic</small>	
	TOLERANCE UNLESS OTHERWISE SPECIFIED		PART NUMBER	DRAWING NUMBER
	.X± 0.25	.X°± 2.0°	<b>L-KLS12-SFP-011</b>	
	.XX± 0.15	.X°± 1.0°	TITLE	
.XXX± 0.075		<b>SFP CAGE 1*1 PRESS-FIT TYPE</b>		
APPROVE	CHECK	DRAW	PROJ.	SHEET 1 OF 1
TimLee 2014,09,11	Happy,H 2014,09,11	TLee 2012,08,06		REV 01
		SCALE 2:1	SIZE A3	

RoHS Compliant

REV	MODIFICATION	DATE	DRAW	APPROVE



RECOMMENDED BEZEL CUT-OUT CENTER DETAIL  
 BEZEL THICKNESS 0.8~2.6MM

QC : Inspection Item	DIMENSION IN mm [Inch]		<b>NINGBO KLS ELECTRONIC CO; LTD</b>	
	TOLERANCE UNLESS OTHERWISE SPECIFIED		PART NUMBER	DRAWING NUMBER
	.X ± 0.25	X.° ± 2.0°	<b>L-KLS12-SFP-011</b>	
	.XX ± 0.15	.X° ± 1.0°		
.XXX ± 0.075		TITLE <b>SFP CAGE 1*1 PRESS-FIT TYPE</b>		
APPROVE	CHECK	DRAW	PROJ.	SHEET 2 OF 2
TimLee 2014,09,11	Happy,H 2014,09,11	TLee 2012,08,06	2:1	REV 01