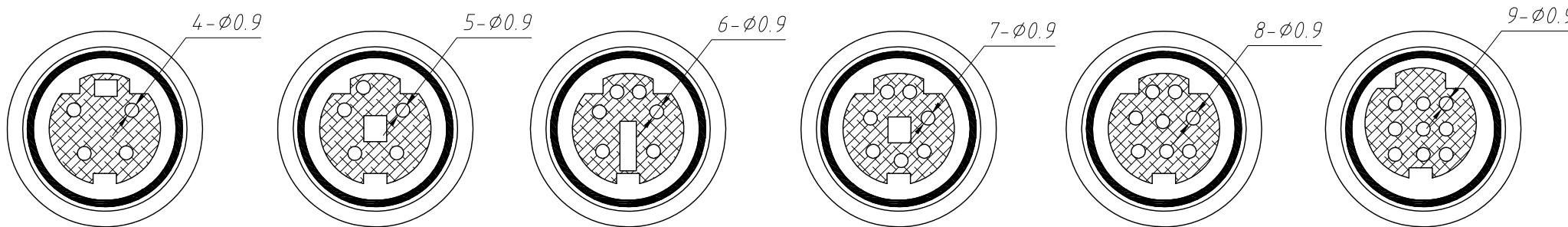
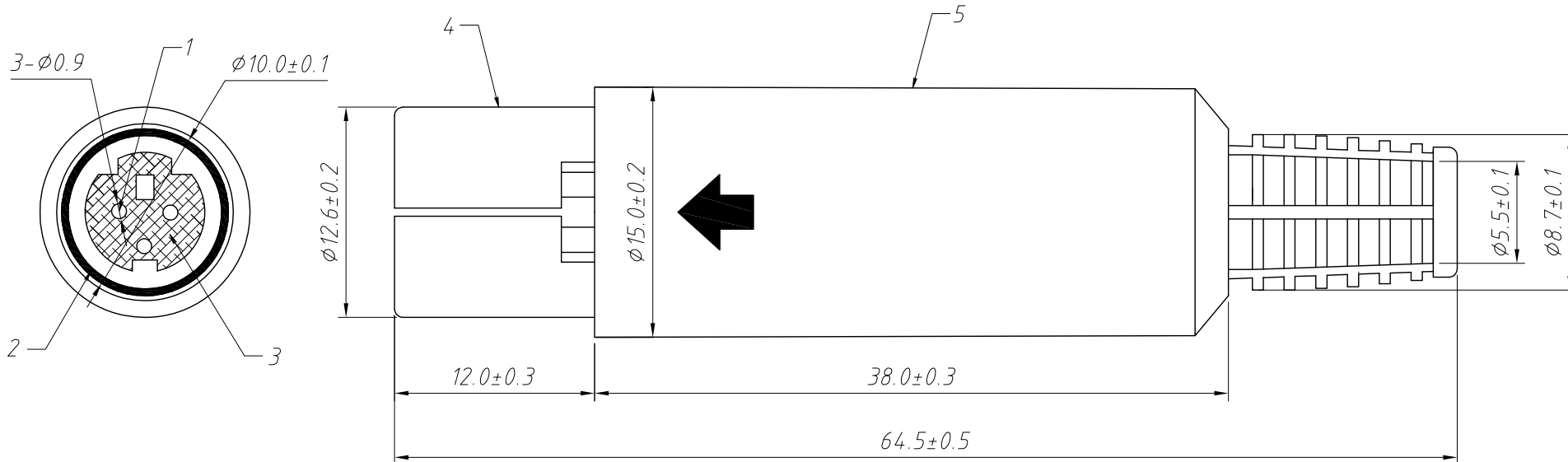


1 RoHS Compliance



4 Pin

5 Pin

6 Pin

7 Pin

8 Pin

9 Pin

**Material:**  
 1.PIN:Brass  
 2.Metal Tube:Brass  
 3.Dielectric:PBT  
 4.Plastic Handle:ABS  
 5.Back Suite:ABS

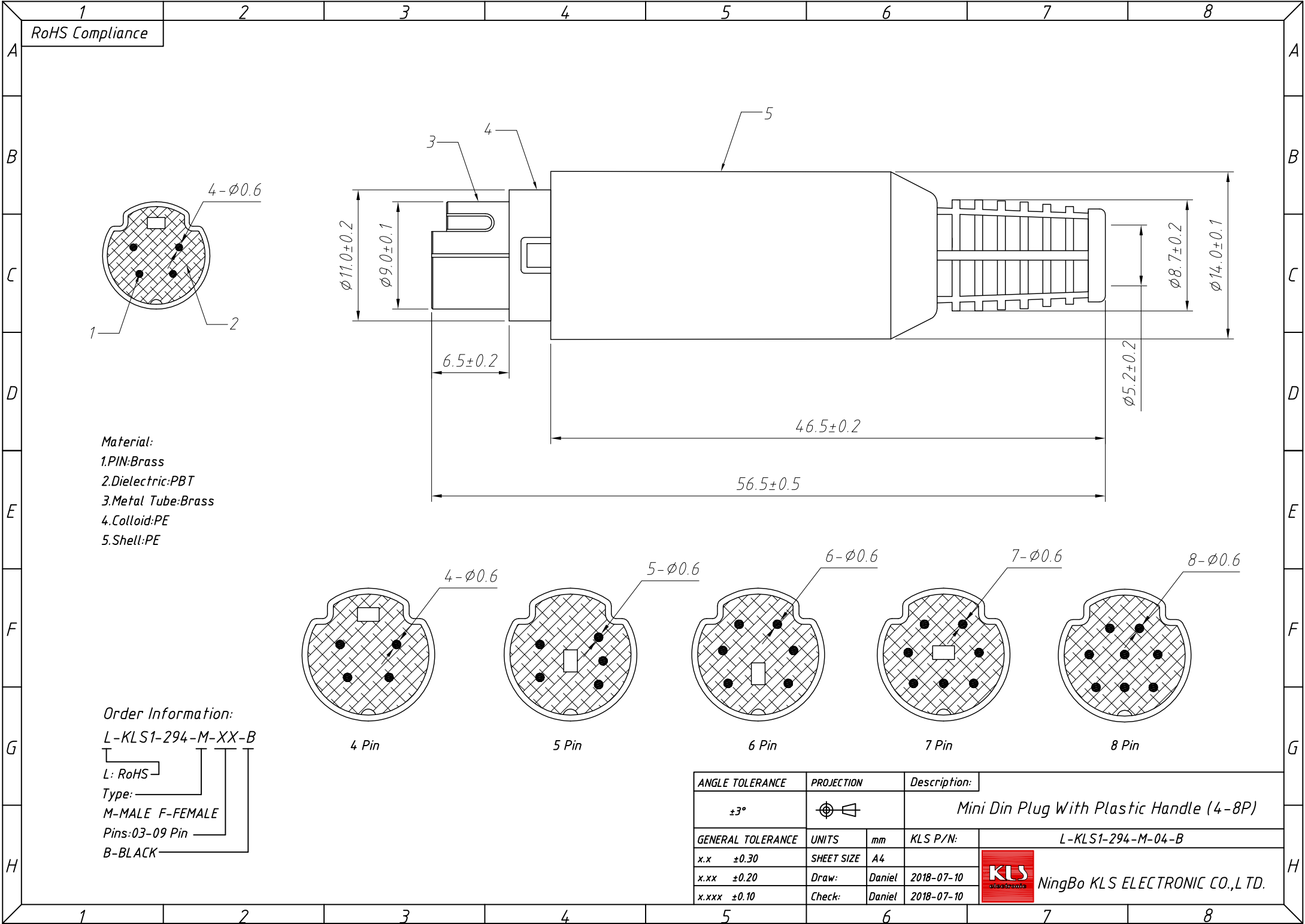
**Order Information:**  
 L-KLS1-294-F-XX-B  
 L: RoHS  
 Type: \_\_\_\_\_  
 M-MALE F-FEMALE  
 Pins:03-09 Pin  
 B-BLACK

ANGLE TOLERANCE	PROJECTION	Description:	
±3°		Mini Din Plug With Plastic Handle (3-9P)	
GENERAL TOLERANCE	UNITS	mm	KLS P/N:
x.x ±0.30	SHEET SIZE	A4	L-KLS1-294-F-XX-B
x.xx ±0.20	Draw:	Daniel	2018-07-10
x.xxx ±0.10	Check:	Daniel	2018-07-10



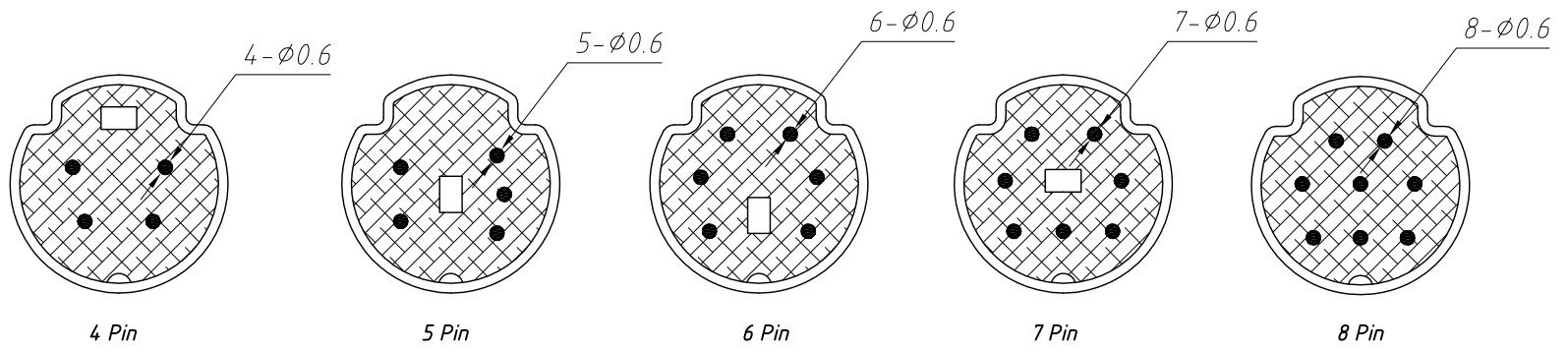
NingBo KLS ELECTRONIC CO.,L TD.

1  
RoHS Compliance



Material:  
 1.PIN:Brass  
 2.Dielectric:PBT  
 3.Metal Tube:Brass  
 4.Colloid:PE  
 5.Shell:PE

Order Information:  
 L-KLS1-294-M-XX-B  
 L: RoHS  
 Type:  
 M-MALE F-FEMALE  
 Pins:03-09 Pin  
 B-BLACK



ANGLE TOLERANCE	PROJECTION	Description:	
±3°		Mini Din Plug With Plastic Handle (4-8P)	
GENERAL TOLERANCE	UNITS	mm	KLS P/N:
x.x ±0.30	SHEET SIZE	A4	L-KLS1-294-M-04-B
x.xx ±0.20	Draw:	Daniel	2018-07-10
x.xxx ±0.10	Check:	Daniel	2018-07-10

