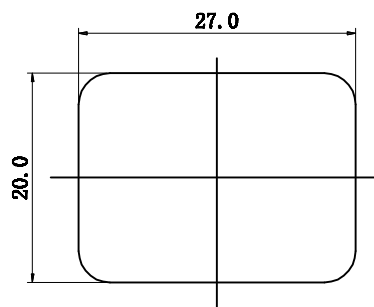
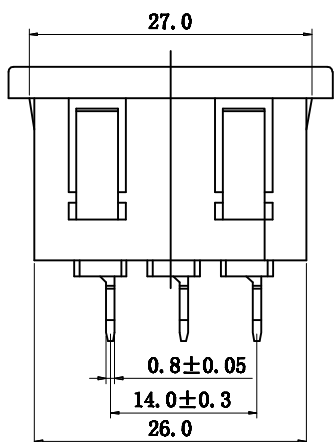
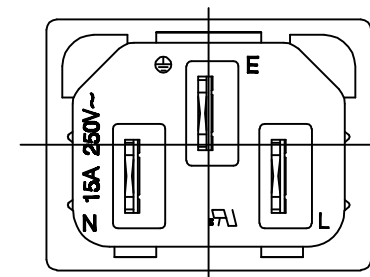
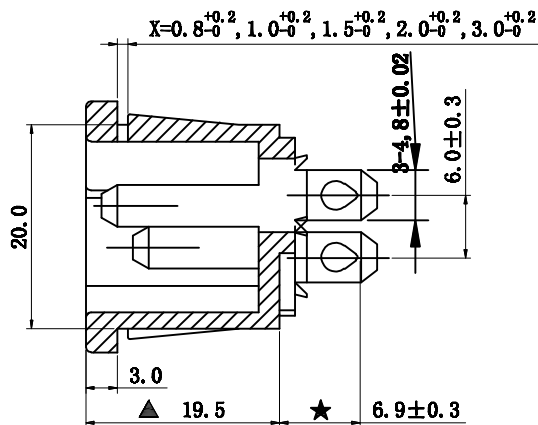
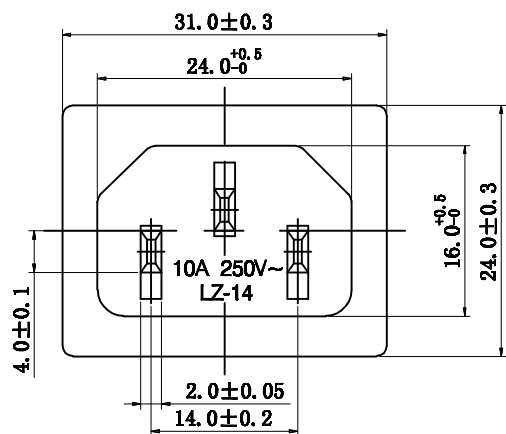
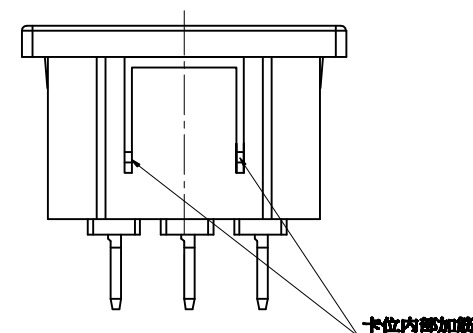


RoHS Compliance



PANEL CUT-OUT



*Electrical Characteristics:*

*Rating: 15A 250V AC T105 UL oUL ; 10A 250V AC TUV 3C KC CE*

*Insert and Extract Force: 1.36kgf ~ 6.8kgf*

*Terminal Strength: ≥80N ; Operating Life: ≥5000 cycles*

*Withstand Voltage: Between all terminals: 2500VAC (50-60Hz) 1Min*

*terminals to Base: 3750V AC (50-60Hz) 1Min ; Leakage Current: 1mA*

*Insulation Resistance: ≥100MΩ 500V DC*

ANGLE TOLERANCE	PROJECTION	Description:	
±3°		AC power plug connectors	
GENERAL TOLERANCE	UNITS	mm	KLS P/N:
x.x ±0.30	SHEET SIZE	A4	L-KLS1-AS-305-8
x.xx ±0.20	Draw:	Daniel	2020-11-11
x.xxx ±0.10	Check:	Daniel	2020-11-11



NingBo KLS ELECTRONIC CO.,LTD.