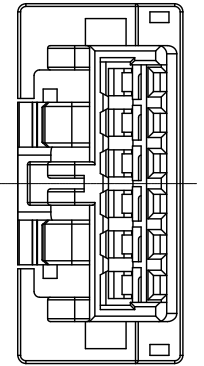
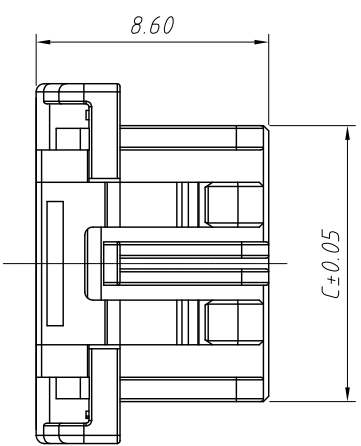
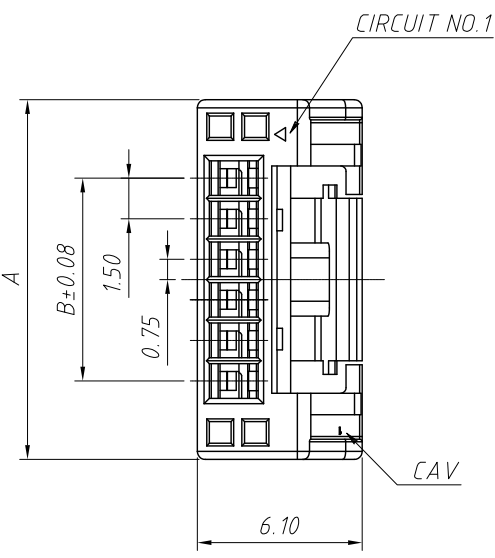
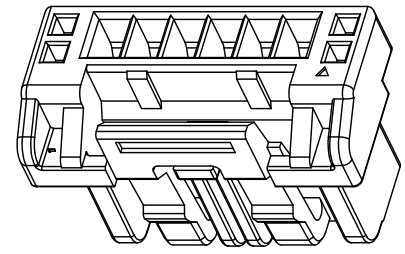
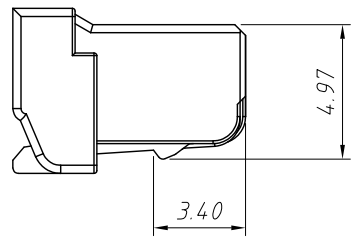


1 2 3 4 5 6 7 8

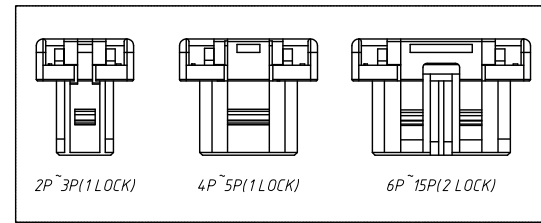
A  
B  
C  
D  
E  
F  
G  
H



- Notes:
- 1.Housing:PBT,UL94-V0
  - 2.Apply for (circuit/2)=EVEN
  - 3.There is no influence in the product performance though the black and white spot ETC might be confirmed to the plastic part of this product and the shade might be different
  - 4.ELV and RoHS Compliant

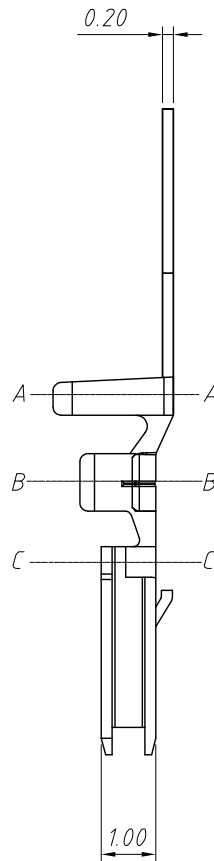
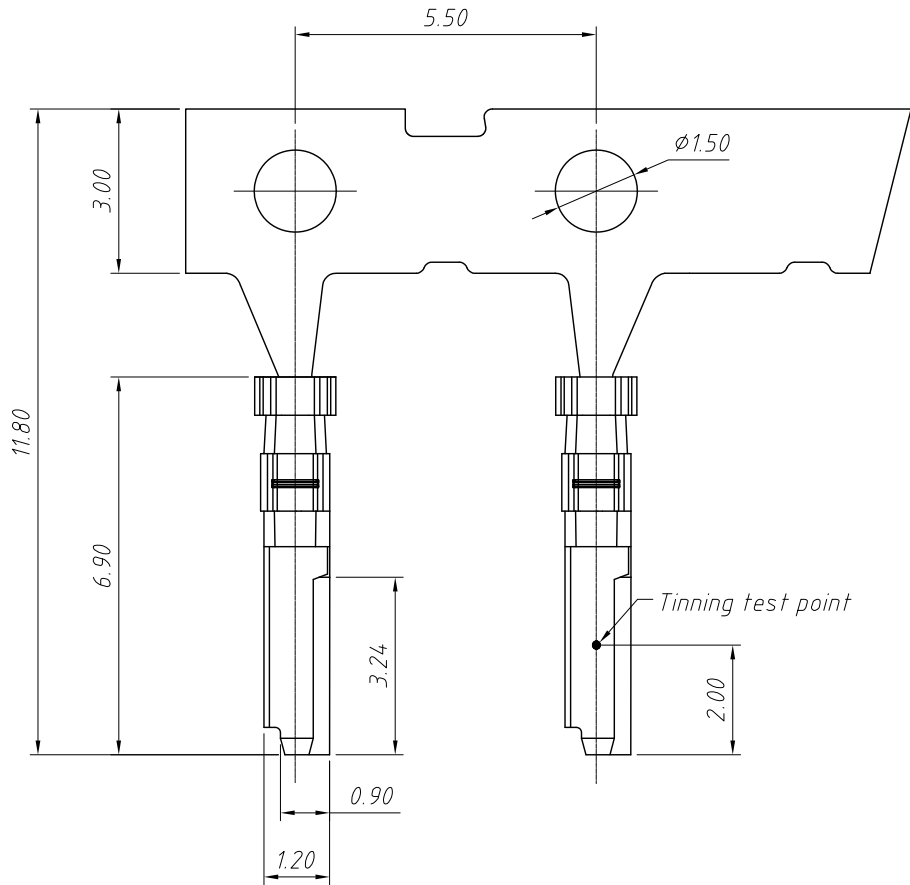
Circuit	Dimensions(mm)		
	A	B	C
02	7.30	1.50	4.20
03	8.80	3.00	5.70
04	10.30	4.50	7.20
05	11.80	6.00	8.70
06	13.30	7.50	10.20
07	14.80	9.00	11.70
08	16.30	10.50	13.20
09	17.80	12.00	14.70
10	19.30	13.50	16.20
11	20.80	15.00	17.70
12	22.30	16.50	19.20
13	23.80	18.00	20.70
14	25.30	19.50	22.20
15	26.80	21.00	23.70

NO.	COLOR	CIRCUIT
00	BEIGE	2~15
01	BLACK	
02	RED	
03	YELLOW	
04	BLUE	
05	PINK	
06	GREEN	
07	BROWN	
08	ORANGE	
09	VIOLET	
11	GRAY	
16	Yellowish Green	3~5
14	PALE BLUE	2 5



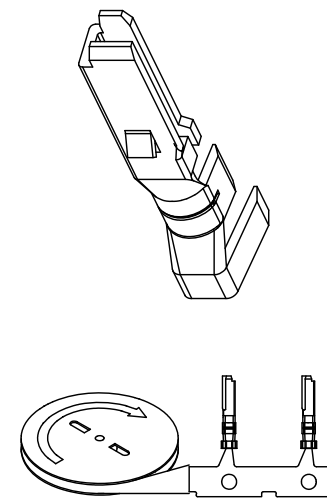
GENERAL TOLERANCE	PROJECTION		Description:
X. ±0.30	UNITS	mm	Pitch 1.50mm Wire To Board Connector
.X ±0.20	SCALE	1:1	
.XX ±0.10	Draw by:	Jenny	KLS P/N: L-KLS1-ML-1.50-XX-H
ANGLE TOLERANCE	Check by:		NingBo KLS ELECTRONIC CO.,L TD.
X. ±5°	Date	2018-03-01	
.X ±3°	SHEET	1 OF 1	
.XX ±2°			

1 2 3 4 5 6 7 8

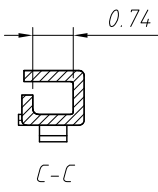
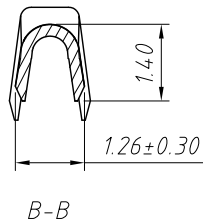
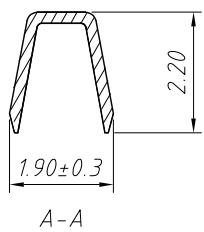


**SPECIFICATIONS**  
 Current rating: 2A AC, DC  
 Voltage rating: 250V AC, DC  
 Temperature range: -25°C ~ + 85°C  
 Insulation resistance: 500MΩ Min  
 Withstanding Voltage: 100V AC/minute  
 Contact resistance: 10mΩ Max.

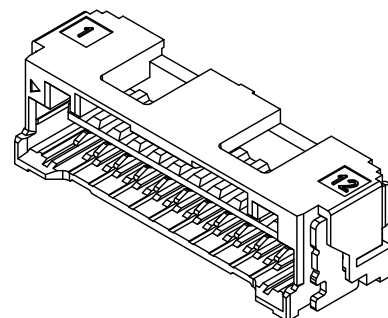
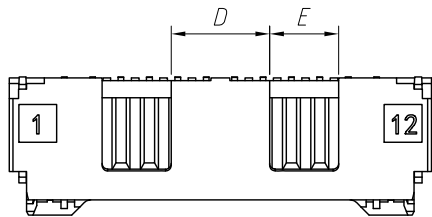
Material: Phosphor Bronze  
 Finish: 100-150u" TIN plated over 50-80u" Nickel all  
 Applicable wires: AWG #24 ~ #28 Insulation OD 0.78 ~ 1.28mm  
 Qty/reel: 10000PCS



Receiving direction after electroplating

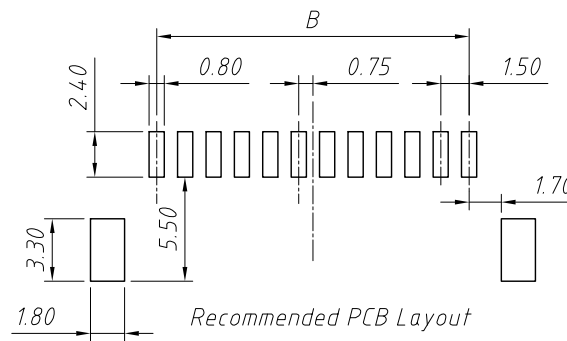
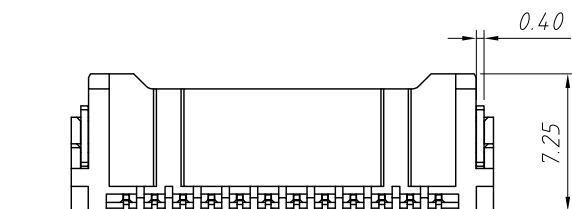
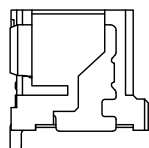
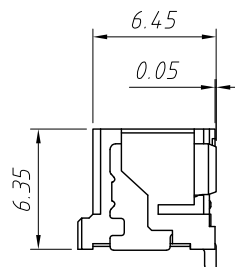
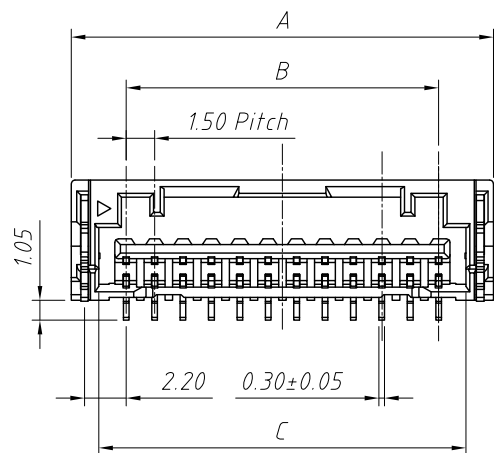


GENERAL TOLERANCE	PROJECTION		Description:
X: ±0.30	UNITS	mm	Pitch 1.50mm Terminal
.X: ±0.20	SCALE	1:1	
.XX: ±0.10	Draw by:	Jenny	
ANGLE TOLERANCE	Check by:		KLS P/N: L-KLS1-ML-1.50-T
X: ±5°	Date	2018-03-01	NingBo KLS ELECTRONIC CO.,L TD.
.X: ±3°	SHEET	1 OF 1	
.XX: ±2°			



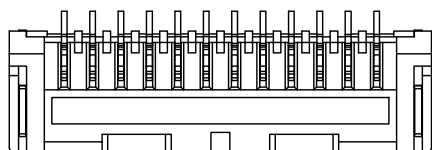
**Material:**  
 Insulator: Nylon 9T, UL 94V-0  
 Pin: Brass  
 Plating: Tin plated over Nickel  
 Applicable wires: AWG #24

**Specifications:**  
 Current rating: 2A AC, DC  
 Voltage rating: 100V AC, DC  
 Temperature range: -25°C ~ +85°C  
 Insulation resistance: 1000MΩ Min  
 Withstanding Voltage: 800V AC/minute  
 Contact resistance: 20mΩ Max.

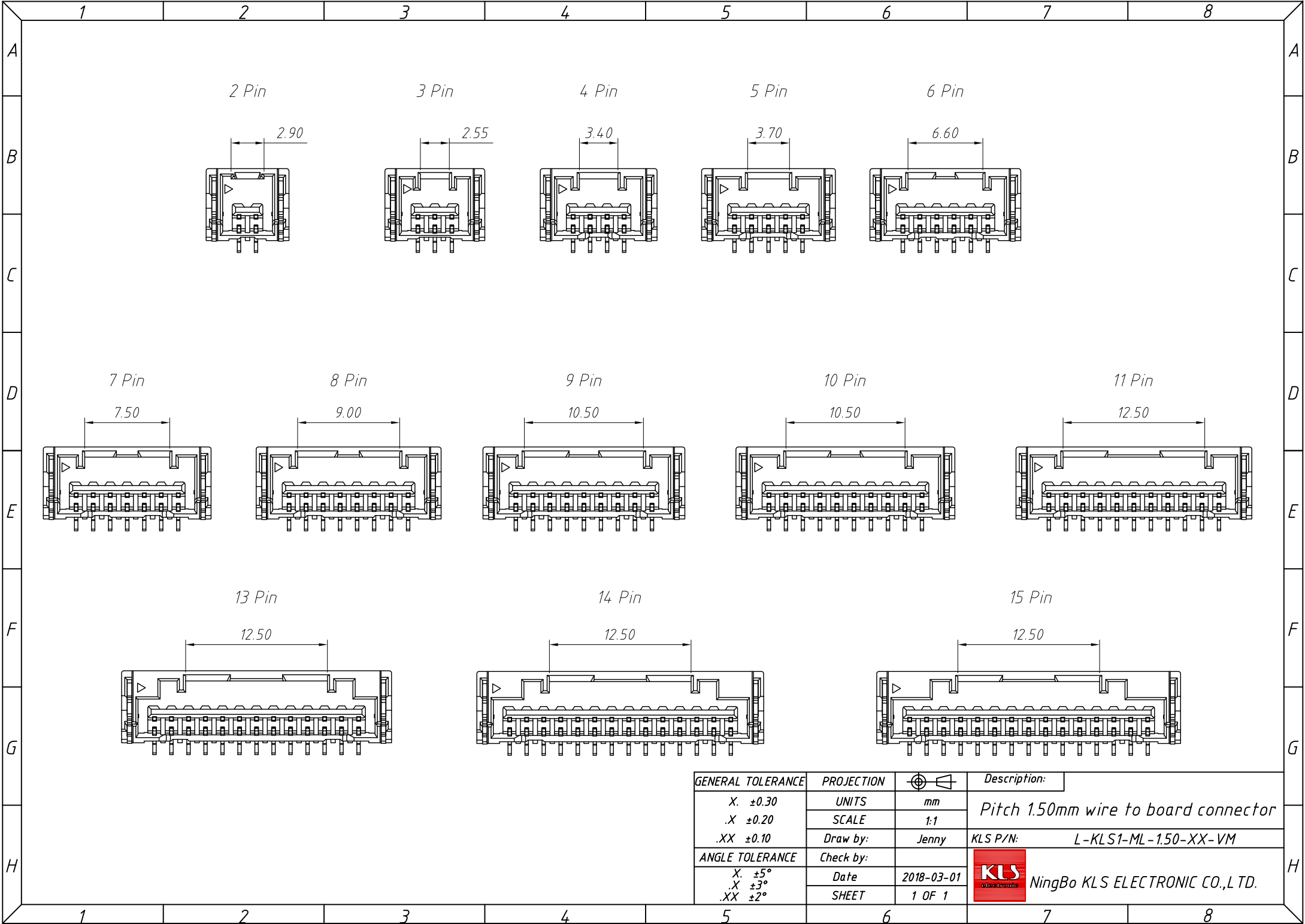


Recommended PCB Layout  
 Total Tolerance ±0.05mm

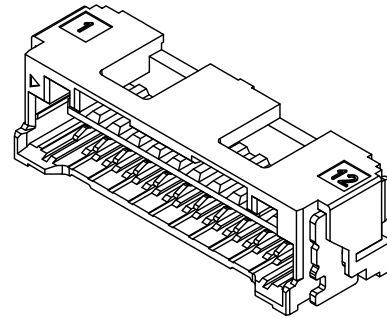
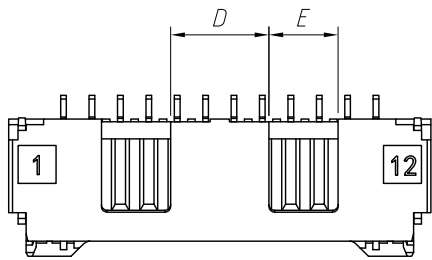
Circuit	Dimensions(mm)				
	A	B	C	D	E
02	7.30	1.50	4.20	---	1.85
03	8.80	3.00	5.70	---	2.55
04	10.30	4.50	7.20	---	3.30
05	11.80	6.00	8.70	---	3.60
06	13.30	7.50	10.20	2.30	2.15
07	14.80	9.00	11.70	2.50	2.50
08	16.30	10.50	13.20	2.50	3.25
09	17.80	12.00	14.70	3.20	3.65
10	19.30	13.50	16.20	3.20	
11	20.80	15.00	17.70	5.20	
12	22.30	16.50	19.20	5.20	
13	23.80	18.00	20.70	5.20	
14	25.30	19.50	22.20	5.20	
15	26.80	21.00	23.70	5.20	



GENERAL TOLERANCE	PROJECTION		Description:
X. ±0.30	UNITS	mm	Pitch 1.50mm wire to board connector
.X ±0.20	SCALE	1:1	
.XX ±0.10	Draw by:	Jenny	
ANGLE TOLERANCE	Check by:		KLS P/N: L-KLS1-ML-1.50-XX-VM
X. ±5°	Date	2018-03-01	NingBo KLS ELECTRONIC CO.,L TD.
.X ±3°	SHEET	1 OF 1	
.XX ±2°			

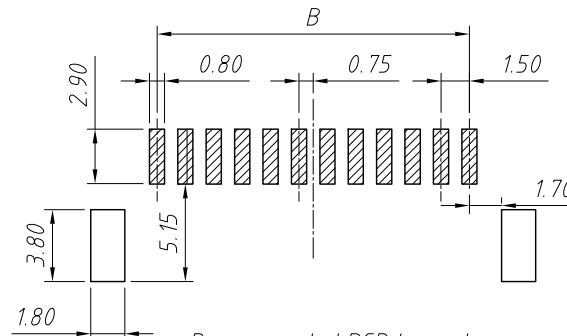
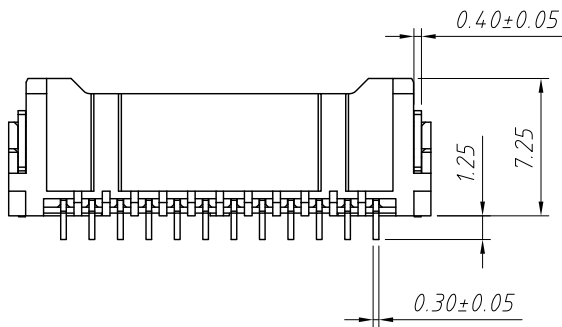
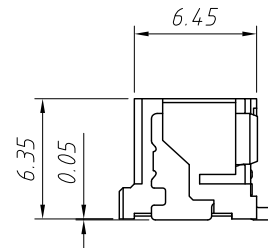
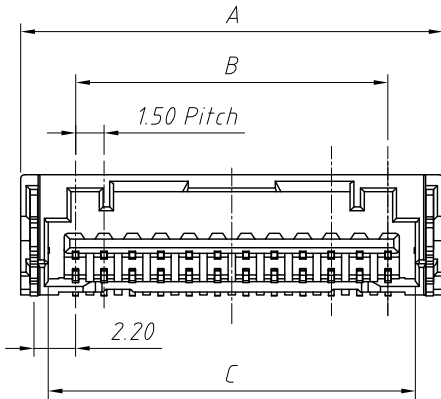
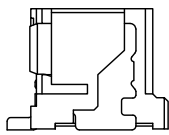


GENERAL TOLERANCE	PROJECTION		Description:
.X ±0.30	UNITS	mm	Pitch 1.50mm wire to board connector
.X ±0.20	SCALE	1:1	
.XX ±0.10	Draw by:	Jenny	KLS P/N: L-KLS1-ML-1.50-XX-VM
ANGLE TOLERANCE	Check by:		NingBo KLS ELECTRONIC CO.,L TD.
.X ±5°	Date	2018-03-01	
.X ±3°	SHEET	1 OF 1	
.XX ±2°			



**Material:**  
 Insulator: Nylon 9T, UL 94V-0  
 Pin: Brass  
 Plating: Tin plated over Nickel  
 Applicable wires: AWG #24

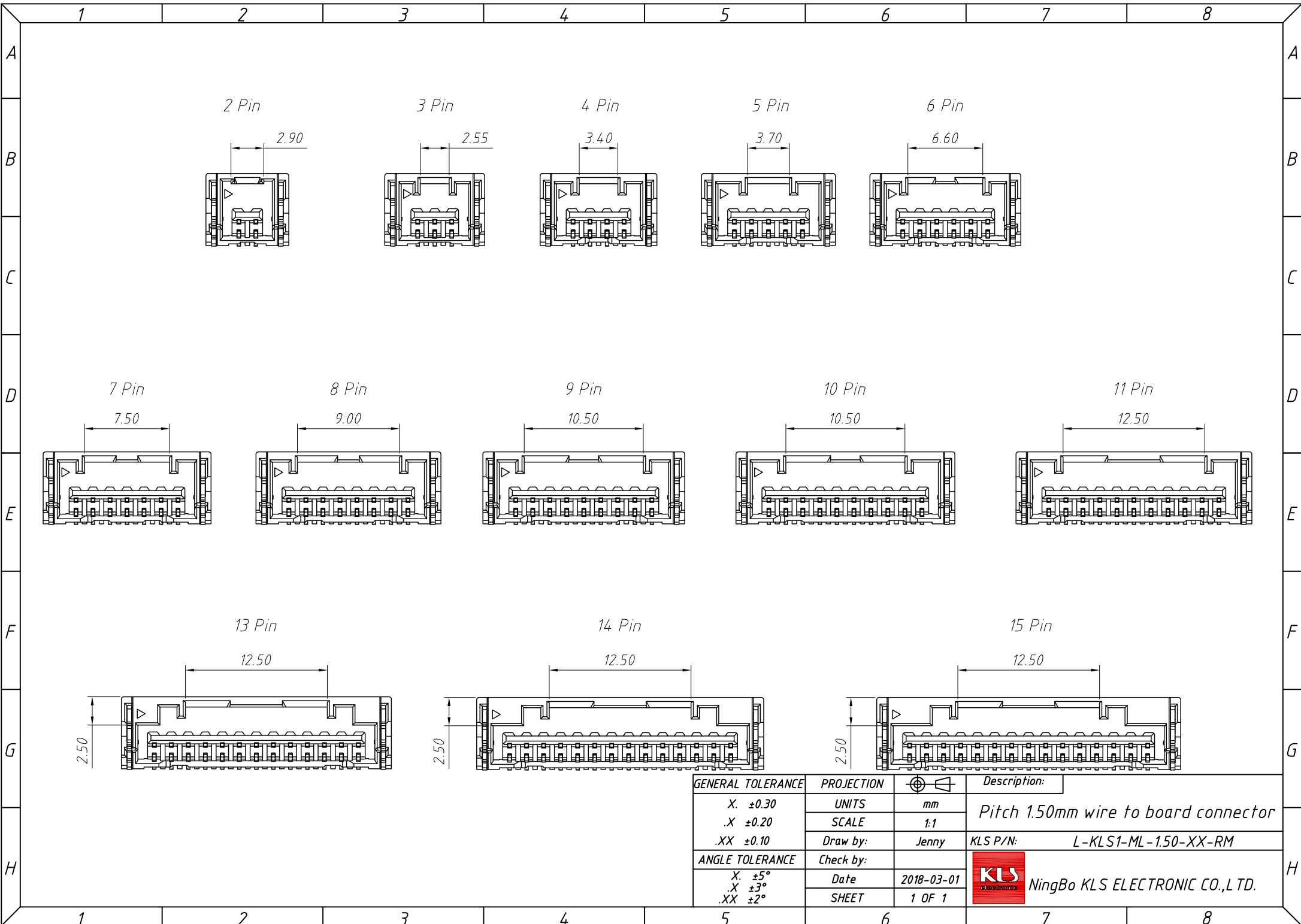
**Specifications:**  
 Current rating: 2A AC, DC  
 Voltage rating: 100V AC, DC  
 Temperature range: -25°C ~ +85°C  
 Insulation resistance: 1000MΩ Min  
 Withstanding Voltage: 800V AC/minute  
 Contact resistance: 20mΩ Max.



Recommended PCB Layout  
 Total Tolerance ±0.05mm

Circuit	Dimensions (mm)				
	A	B	C	D	E
02	7.30	1.50	4.20	---	1.85
03	8.80	3.00	5.70	---	2.55
04	10.30	4.50	7.20	---	3.30
05	11.80	6.00	8.70	---	3.60
06	13.30	7.50	10.20	2.30	2.15
07	14.80	9.00	11.70	2.50	2.50
08	16.30	10.50	13.20	2.50	3.25
09	17.80	12.00	14.70	3.20	3.65
10	19.30	13.50	16.20	3.20	
11	20.80	15.00	17.70	5.20	
12	22.30	16.50	19.20	5.20	
13	23.80	18.00	20.70	5.20	
14	25.30	19.50	22.20	5.20	
15	26.80	21.00	23.70	5.20	

GENERAL TOLERANCE	PROJECTION		Description:
X. ±0.30	UNITS	mm	Pitch 1.50mm wire to board connector
.X ±0.20	SCALE	1:1	
.XX ±0.10	Draw by:	Jenny	KLS P/N: L-KLS1-ML-1.50-XX-RM
ANGLE TOLERANCE	Check by:		NingBo KLS ELECTRONIC CO., L TD.
X. ±5°	Date	2018-03-01	
.X ±3°	SHEET	1 OF 1	
.XX ±2°			



GENERAL TOLERANCE	PROJECTION		Description:
X. $\pm 0.30$	UNITS	mm	Pitch 1.50mm wire to board connector
.X $\pm 0.20$	SCALE	1:1	
.XX $\pm 0.10$	Draw by:	Jenny	KLS P/N: L-KLS1-ML-1.50-XX-RM
ANGLE TOLERANCE	Check by:		NingBo KLS ELECTRONIC CO.,L TD.
X. $\pm 5^\circ$	Date	2018-03-01	
.X $\pm 3^\circ$	SHEET	1 OF 1	
.XX $\pm 2^\circ$			