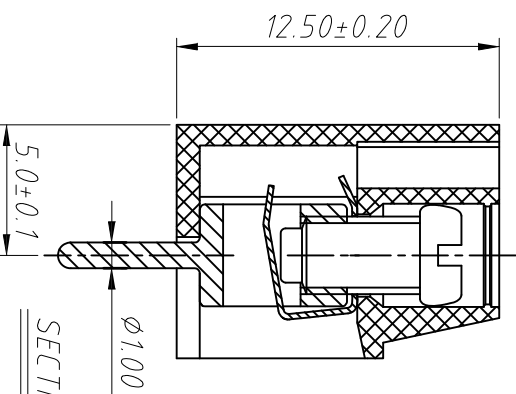
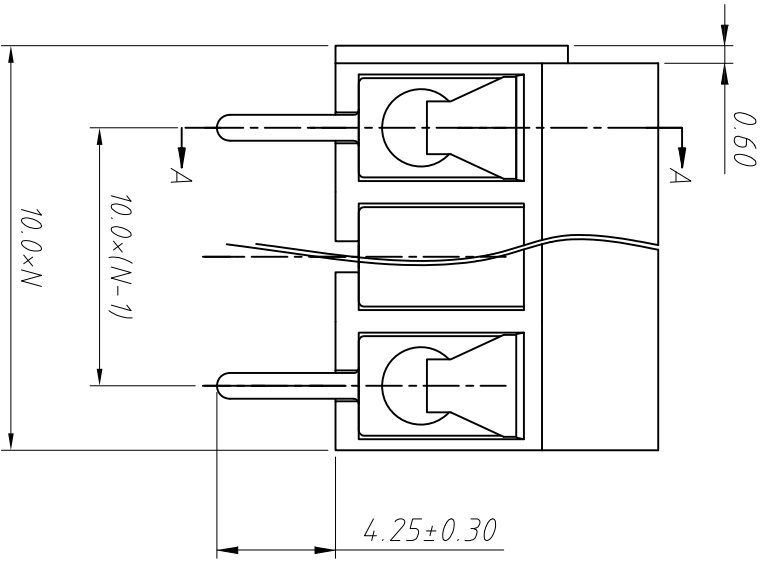


PCB LAYOUT



SECTION A-A

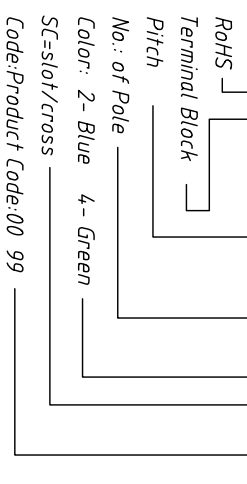
Material
 Screw: M3.0, steel, Zn plated
 Cage: Phosphor Bronze, Nickel plated
 Pin header: Brass, Tin plated
 Housing: PA66, UL94V-0, Blue

Electrical
 Rated voltage: 250V
 Rated current: 16A
 Wire range: 22~14AWG, 1.5mm²
 Contact Resistance: 20 mΩ
 Insulation resistance: 500MΩ/DC500V
 Withstand voltage: AC2000V / 1min

Mechanical
 Temp. Range: -30 °C ~ +105 °C
 Soldering: 250 °C 5Sec. Max.
 Torque: 0.5 Nm (4.43 Lb. in)
 Strip length: 4.5~5 mm

Order Information

L-KLS2-300-10.0-XXP-2SC XX



GENERAL TOLERANCE		ANGLE TOLERANCE		PROJECTION	
X: ±0.60	X: ±5°	.XX ±2°	mm	mm	mm
X: ±0.38	.X ±3°				
XX ±0.25					
Draw by 2015-09-01	Check by 2015-09-15	SCALE	SHEET SIZE	A4	
Description: Screw CONN TERM Block 10.0mm		KLS P/N:		L-KLS2-300-10.0-XXP-2SC	
KLS Ningbo KLS ELECTRONIC CO., LTD.					