

Electrical:

Current Rating: 2 A

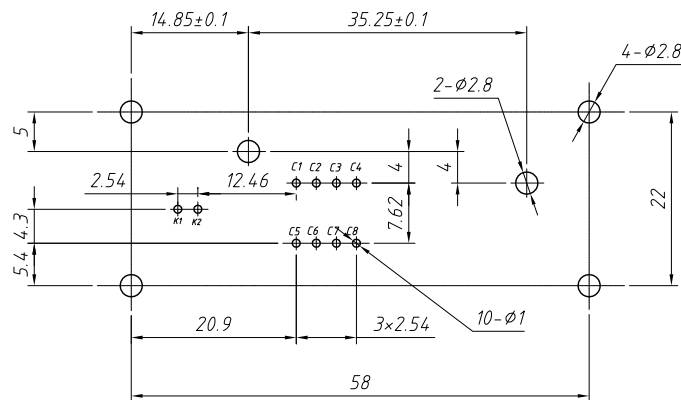
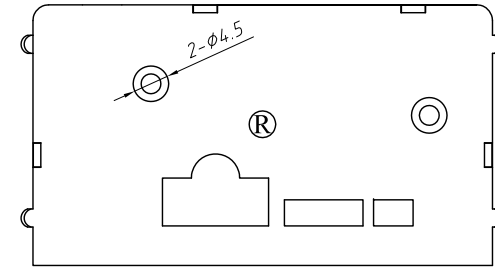
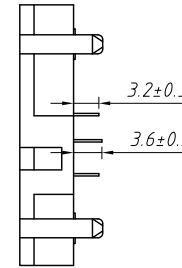
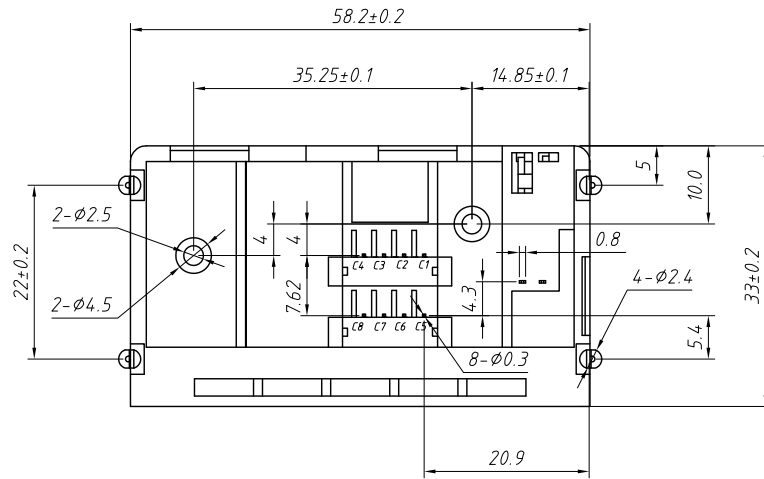
Contact Resistance: 20mΩ max.

Insulation Resistance: 1000 MΩ min.

Dielectric Withstanding Voltage: AC 500V(r.m.s)/60s.

Durability: 100000 cycles min.

Operating Temperature: -55°C ~ +125°C



Material:

Housing: PC, UL 94 V-0

Contact: Copper Alloy.

GENERAL TOLERANCE		ANGLE TOLERANCE		PROJECTION	Description:
X	±0.15	X	±5°		PUSH PULL, 8P+2P
X	±0.03	X	±3°	UNITS	mm
XX	±0.05	XX	±2°	SHEET SIZE	A4
				KLS P/N:	L-KLS1-ISC-F010MF
Draw by:	Jenny	Date:	2018-11-01	NingBo KLS ELECTRONIC CO.,LTD.	
Check by:		Date:			
SCALE		SHEET	1 OF 1		