

Material
Housing: PA66, UL94V-0
Pin header: Brass, Tin plated
Nut: M2.5, Brass

Electrical
Rated voltage: 300V
Rated current: 15A
Contact Resistance: 20 mΩ
Insulation resistance: 500MΩ/DC500V
Withstand voltage: AC2000V / 1 min

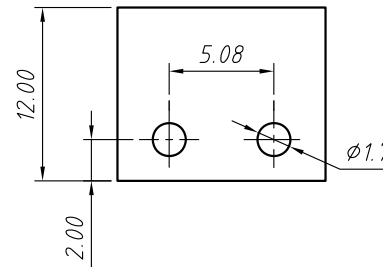
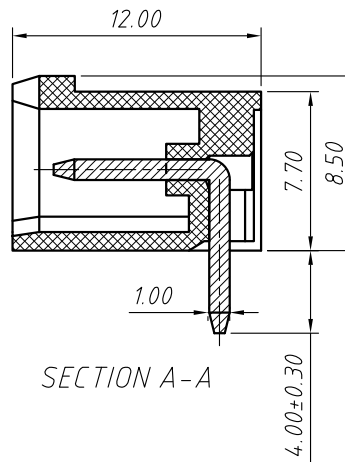
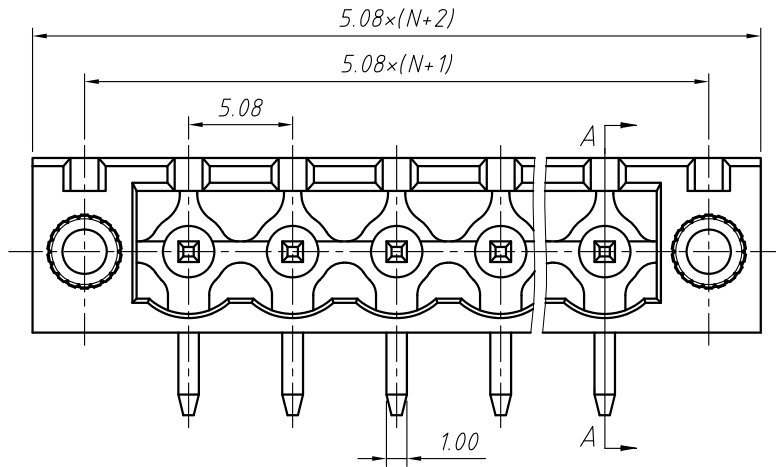
Mechanical
Temp. Range: -40 °C ~ +105 °C

Order Information

L-KLS2-EDRY-5.00-XXP-4 00

RoHS
Terminal Block
Pitch
No.: of Pole
Color: 4- Green
Product Code: 00~99

GENERAL TOLERANCE		ANGLE TOLERANCE		Description:	
X. ±0.60		X. ±5°		Pluggable Terminal Block 5.00MM	
.X ±0.38		.X ±3°		KLS P/N:	KLS2-EDRY-5.00-XXP-4-00
.XX ±0.25		.XX ±2°			
Draw by	2015-09-01	PROJECTION		NingBo KLS ELECTRONIC CO.,L TD.	
Check by	2015-09-15	UNITS	mm		
SCALE		SHEET SIZE	A4		



Material
Housing: PA66, UL94V-0
Pin header: Brass, Tin plated
Nut: M2.5, Brass

Electrical
Rated voltage: 300V
Rated current: 15A
Contact Resistance: 20 mΩ
Insulation resistance: 500MΩ/DC500V
Withstand voltage: AC2000V / 1 min

Mechanical
Temp. Range: -40 °C ~ +105 °C

Order Information

L-KLS2-EDRY-5.08-XXP-4 00

RoHS
Terminal Block
Pitch
No.: of Pole
Color: 4- Green
Product Code: 00~99

GENERAL TOLERANCE		ANGLE TOLERANCE		Description:	
X. ±0.60		X. ±5°		Pluggable Terminal Block 5.08MM	
.X ±0.38		.X ±3°		KLS P/N:	KLS2-EDRY-5.08-XXP-4-00
.XX ±0.25		.XX ±2°			
Draw by	2015-09-01	PROJECTION		NingBo KLS ELECTRONIC CO.,L TD.	
Check by	2015-09-15	UNITS	mm		
SCALE		SHEET SIZE	A4		