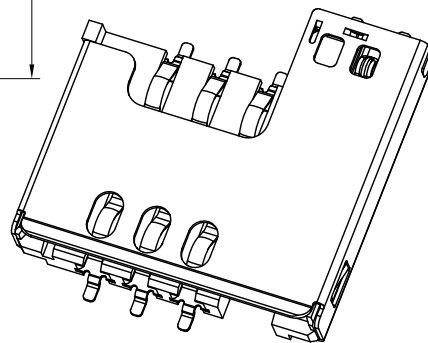
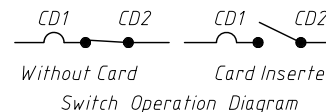


RECOMMENDED PCB LAYOUT
COMPONENT SIDE (TOLERANCE ±0.05)



Electric Function	Detect Switch
Without Card	Closed
Card Inserted	Open



Material:
 Base: Hi Temp Thermoplastic,
 Black UL 94 V-0
 Cover: Stainless Steel
 Data Contact: Copper Alloy,
 Gold plated
 Switch Contact 1: Copper Alloy,
 Gold plated
 Switch Contact 2: Copper Alloy,
 Gold plated

Technical Characteristics

1. General Characteristics

Dimensions:

15.85L × 16.50W × 3.00H mm
 Weight: Approx 0.78 ± 0.2g
 Durability: 5000 cycles min.

2. Electrical Characteristics

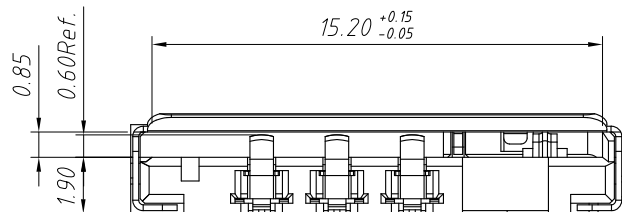
Contact Resistance: 50mΩ
 typical 100mΩ Max.
 Insulation Resistance: 1000MΩ
 Min./500V DC

3. Solderability

IR reflow: 260°C, 10 sec. Max.
 Manual soldering: 370°C, 3 sec. Max.

4. Environmental Characteristics

Operating Temperature: -40°C
 T0 +85°C.
 Operating Humidity: 10% ~ 95%RH



GENERAL TOLERANCE		ANGLE TOLERANCE		PROJECTION		Description:
X	±0.15	X	±5°	UNITS	mm	SIM Card Connector
.X	±0.03	.X	±3°	SHEET SIZE	A4	
.XX	±0.05	.XX	±2°		KLS P/N:	
Draw by:	Jenny	Date:	2018-03-10	NingBo KLS ELECTRONIC CO.,L TD.		
Check by:		Date:	2018-03-10			
SCALE		SHEET	1 OF 1			