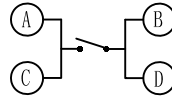


Circuit Diagram

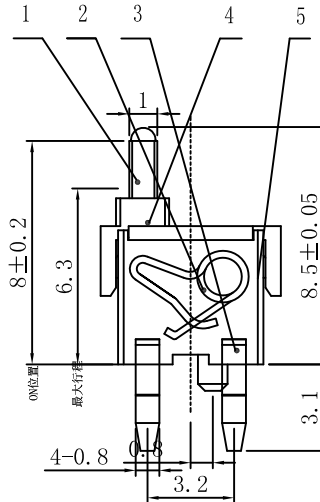
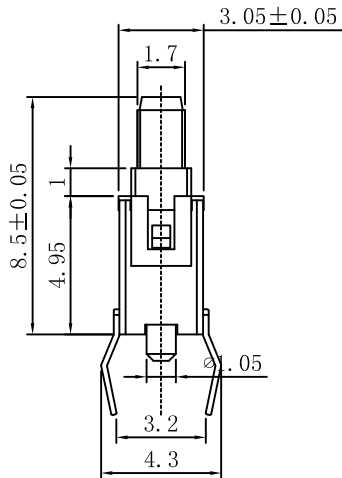


Material:

1. Button: POM
2. Torsion spring: Phosphor Bronze
3. Contacts: Brass H62-0.2
4. Cover: POM
5. Housing: PA6T

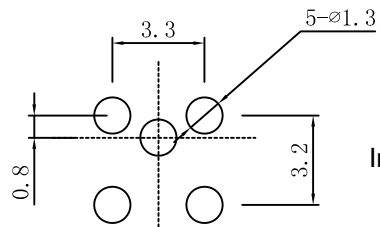
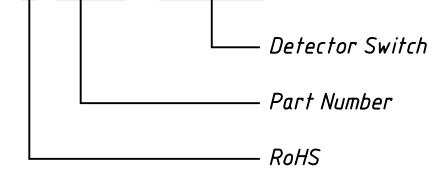
Electrical Characteristics:

- Rating: DC 16V 0.1A
- Contact Resistance: 0.5Ω Max.
- Insulation Resistance: 100 MΩ Min @ 100V DC
- Withstanding Voltage: 100 VAC Min
- Operating Force: 0.3-0.6N
- Reflow Soldering: 250°C
- Life: 50,000 cycles
- Temperature: -40°C ~ +70°C



Order Information

L-KLS7- ID-1120



Installation dimension

GENERAL TOLERANCE	PROJECTION		Description:
X. ±0.50	UNITS	mm	Detector Switch
.X ±0.25	SCALE	1:1	
.XX ±0.10	Draw by:	Jenny	
ANGLE TOLERANCE	Check by:		KLS P/N: L-KLS7-ID-1120
X. ±5°	Date	2018-03-01	NingBo KLS ELECTRONIC CO.,L TD.
.X ±3°	SHEET	1 OF 1	
.XX ±2°			