

PCB LAYOUT

Material:
 Insulator body:LCP.
 Contact:Copper Alloy.
 Plating:
 Finish:Tin Gold or Duplex plated.
 Standard:Gold flash all over Nickel.
 Electrical:
 Current Rating:3Amps.
 Insulation Resistance:5000M Ω Min.
 Dielectric Withstanding:DC 500V.
 Contact Resistance:20m Ω Max.
 Durability:100gf Cycles Min.
 Operating Temperature:-45°C TO +105°C

Order Information:
 L-KLS1-SIM-010-6P-0-R
 L: RoHS
 SIM Card
 PINS:6PIN, 8PIN
 0=With Peg,1=Without
 Packing:
 T=Tube Pack ,R=Roll Pack

GENERAL TOLERANCE	ANGLE TOLERANCE	PROJECTION		SIM CARD CONN,Hinged type, 6P & 8P,H2.8mm,SMD
X. ± 0.15	X. $\pm 5^\circ$	UNITS	mm	
.X ± 0.03	.X $\pm 3^\circ$	SHEET SIZE	A4	
.XX ± 0.05	.XX $\pm 2^\circ$		KLS P/N:	L-KLS1-SIM-010-6P-0-R
Draw by: Jenny	Date:	2018-03-10		NingBo KLS ELECTRONIC CO.,LTD.
Check by:	Date:	2018-03-10		
SCALE	SHEET	1 OF 1		

1 2 3 4 5 6 7 8

A

A

B

B

C

C

D

D

E

E

F

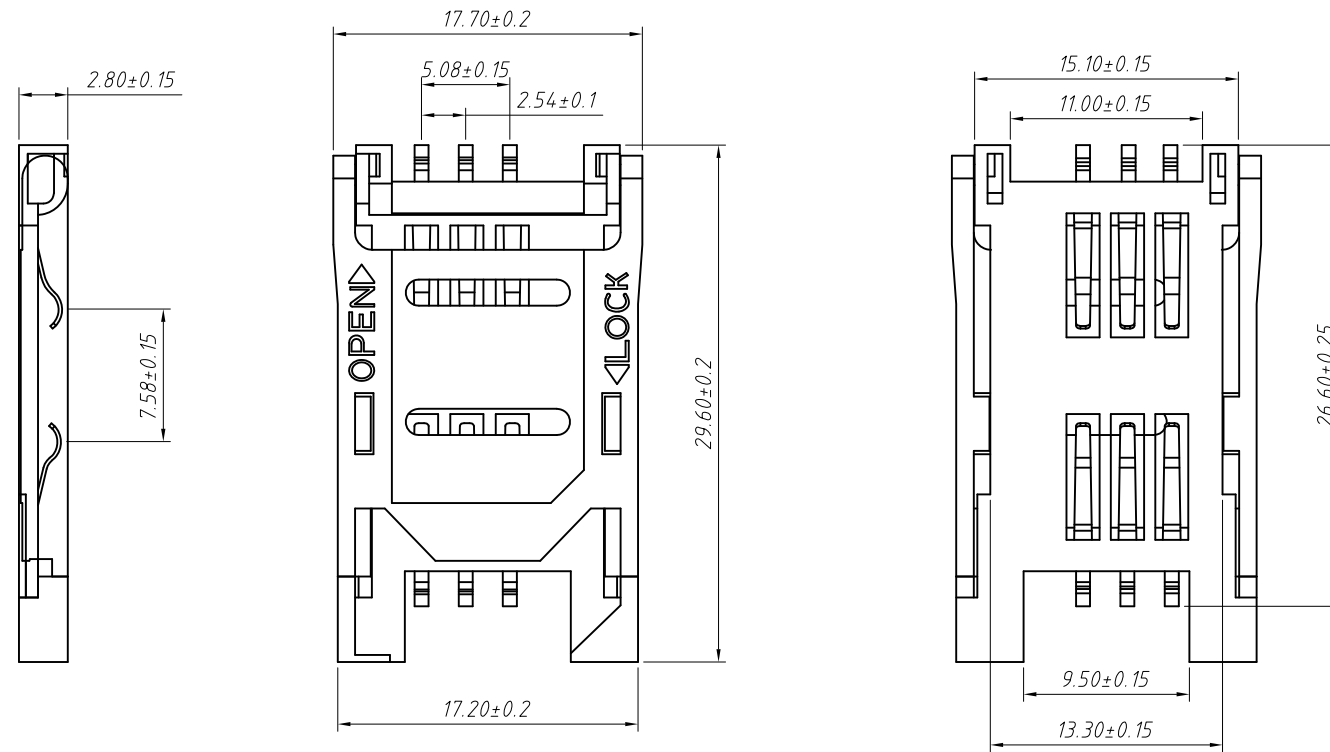
F

G

G

H

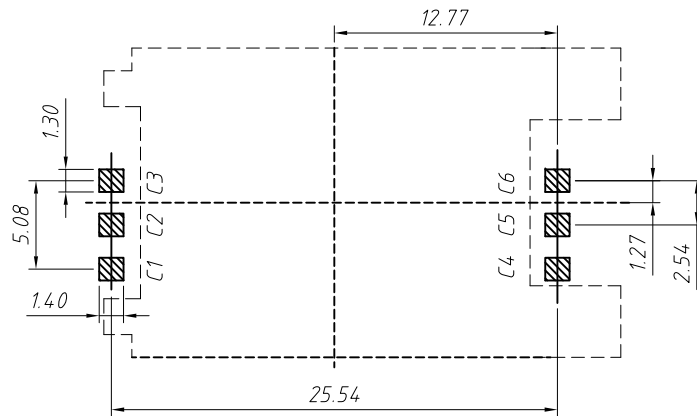
H



Material:
 Insulator body:LCP.
 Contact:Copper Alloy.

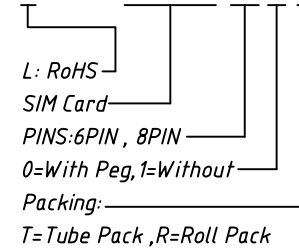
Plating:
 Finish: Tin Gold or Duplex plated.
 Standard:Gold flash all over Nickel.

Electrical:
 Current Rating:3Amps.
 Insulation Resistance:1000M Ω Min.
 Withstanding Voltage:AC 1000V
 Contact Resistance:20m Ω Max.
 Durability:100gf Cycles Min.
 Operating Temperature:-40°C TO +105°C
 Max.Processing Temp:230°C for 30-60 seconds
 (260°C for 10 seconds)



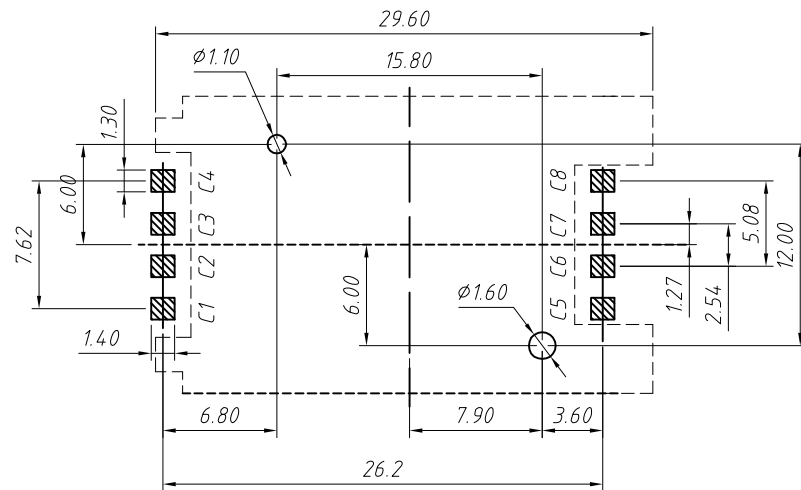
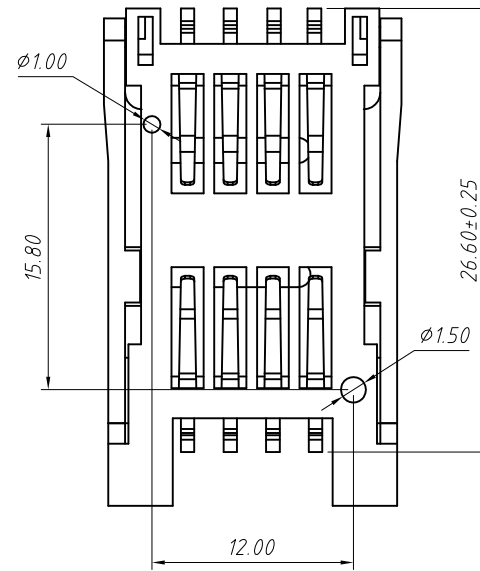
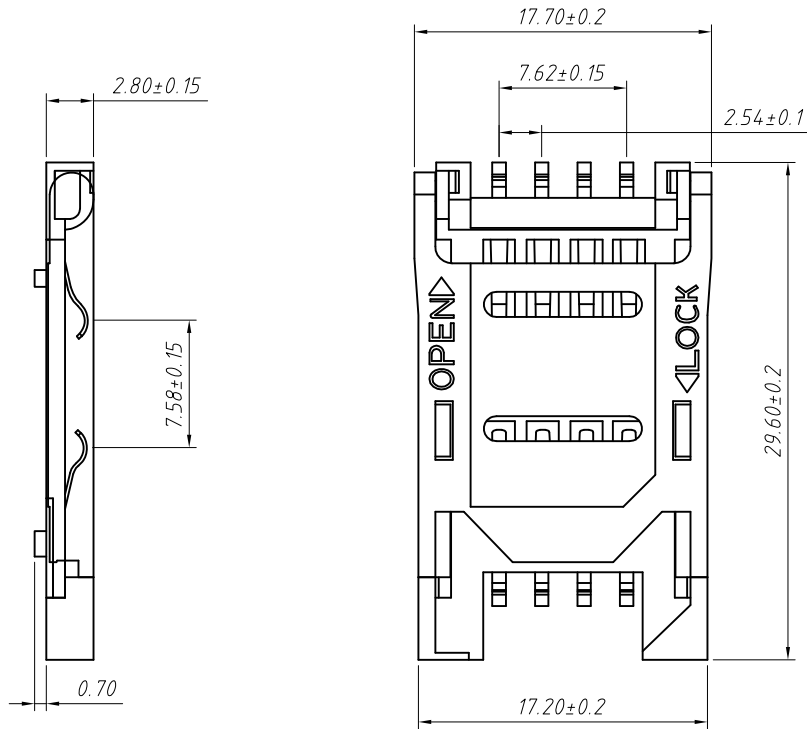
PCB LAYOUT

Order Information:
 L-KLS1-SIM-010-6P-1-R



GENERAL TOLERANCE	ANGLE TOLERANCE	PROJECTION		SIM CARD CONN,Hinged type, 6P & 8P,H2.8mm,SMD
X. ± 0.15	X. $\pm 5^\circ$	UNITS	mm	
.X ± 0.03	.X $\pm 3^\circ$	SHEET SIZE	A4	L-KLS1-SIM-010-6P-1-R
.XX ± 0.05	.XX $\pm 2^\circ$		KLS P/N:	
Draw by: Jenny	Date:	2018-03-10		NingBo KLS ELECTRONIC CO.,LTD.
Check by:	Date:	2018-03-10		
SCALE	SHEET 1 OF 1			

1 2 3 4 5 6 7 8



PCB LAYOUT

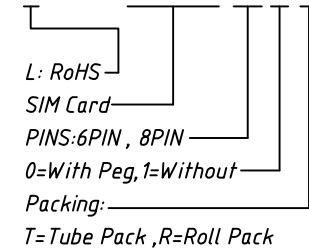
Material:
 Insulator body:LCP.
 Contact:Copper Alloy.

Plating:
 Finish:Tin Gold or Duplex plated.
 Standard:Gold flash all over Nickel.

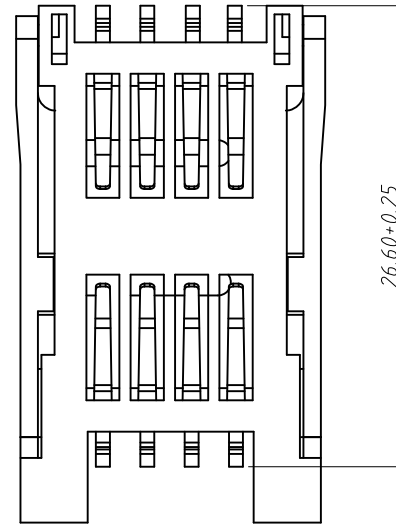
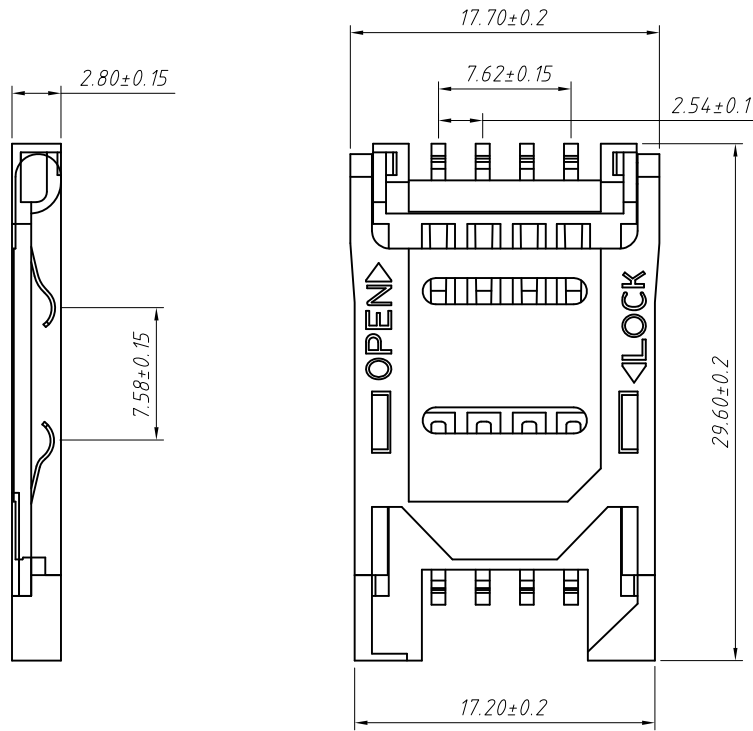
Electrical:
 Current Rating:3Amps.
 Insulation Resistance:5000M Ω Min.
 Dielectric Withstanding:DC 500V.
 Withstanding Voltage:AC 1000V
 Contact Resistance:20m Ω Max.
 Durability:100gf Cycles Min.
 Operating Temperature:-40°C TO +105°C

Order Information:

L-KLS1-SIM-010-8P-0-R



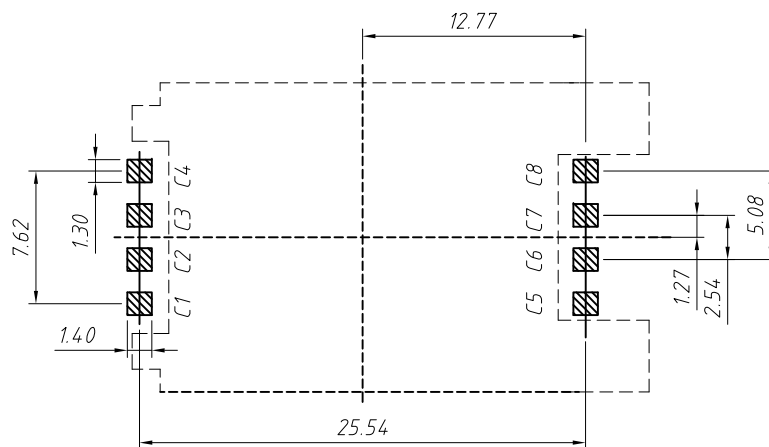
GENERAL TOLERANCE	ANGLE TOLERANCE	PROJECTION		SIM CARD CONN,Hinged type, 6P & 8P,H2.8mm,SMD
X. ± 0.15	X. $\pm 5^\circ$	UNITS	mm	
.X ± 0.03	.X $\pm 3^\circ$	SHEET SIZE	A4	L-KLS1-SIM-010-8P-0-R
.XX ± 0.05	.XX $\pm 2^\circ$		KLS P/N:	
Draw by: Jenny	Date: 2018-03-10	NingBo KLS ELECTRONIC CO.,L.TD.		
Check by:	Date: 2018-03-10			
SCALE	SHEET 1 OF 1			



Material:
 Insulator body: LCP.
 Contact: Copper Alloy.

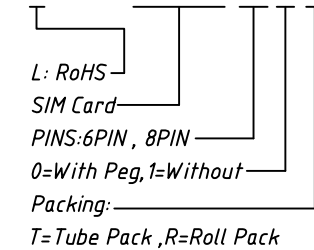
Plating:
 Finish: Tin Gold or Duplex plated.
 Standard: Gold flash all over Nickel.

Electrical:
 Current Rating: 3Amps.
 Insulation Resistance: 5000M Ω Min.
 Dielectric Withstanding: DC 500V.
 Withstanding Voltage: AC 1000V
 Contact Resistance: 20m Ω Max.
 Durability: 100gf Cycles Min.
 Operating Temperature: -40°C TO +105°C



PCB LAYOUT

Order Information:
 L-KLS1-SIM-010-8P-1-R



GENERAL TOLERANCE	ANGLE TOLERANCE	PROJECTION		SIM CARD CONN, Hinged type, 6P & 8P, H2.8mm, SMD
X. ± 0.15	X. $\pm 5^\circ$	UNITS	mm	L-KLS1-SIM-010-8P-1-R
.X ± 0.03	.X $\pm 3^\circ$	SHEET SIZE	A4	
.XX ± 0.05	.XX $\pm 2^\circ$		KLS P/N:	
Draw by: Jenny	Date: 2018-03-10			NingBo KLS ELECTRONIC CO., L TD.
Check by:	Date: 2018-03-10			
SCALE	SHEET 1 OF 1			