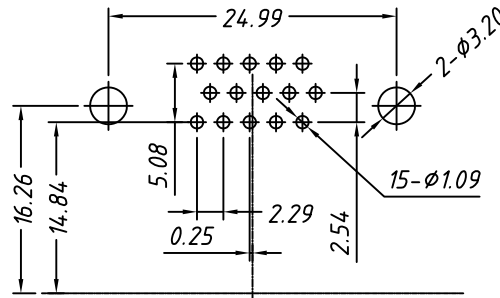
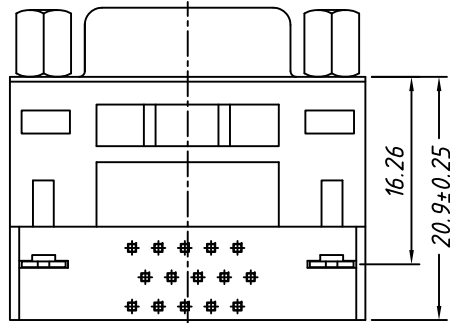
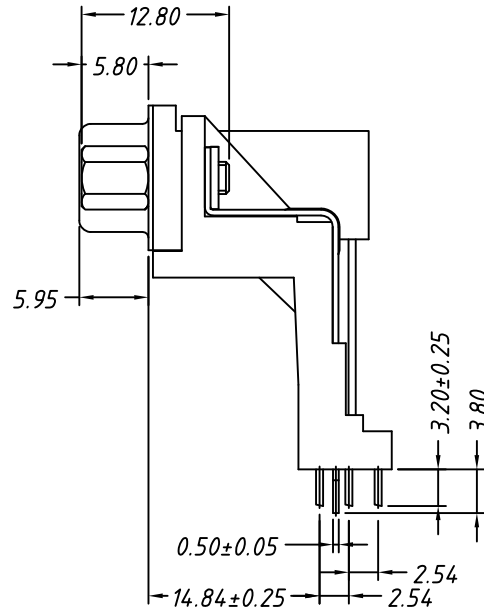
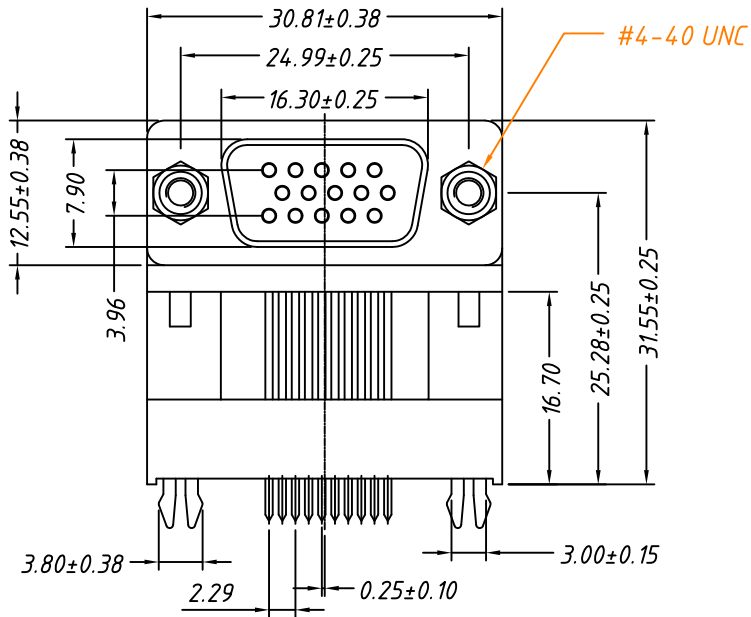


RoHS Compliant



**RECOMMENDED PCB LAYOUT**  
TOLERANCE: ±0.05mm

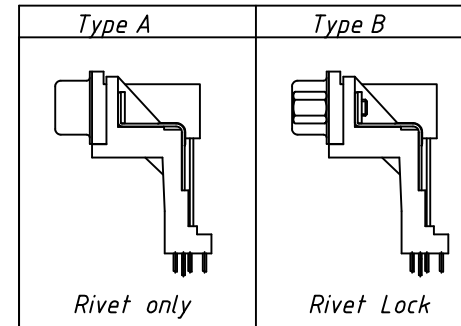
**Material:**  
Housing: PBT+30% Glass filled ,UL94V-0  
Contacts: Brass ,Gold Plating  
Shell: Steel, Nickel Plating

**Electrical Characteristics:**  
Current Rating: 3 AMP  
Insulator Resistance: 1000MΩ Min. at DC 500V  
Withstanding Voltage: 500V AC (rms) for 1 minute  
Contact Resistance: 20mΩ Max. Initial  
Operating Temperature: -55°C ~ +105°C

**Order Information**

L-KLS1-517-15 F - X B

RoHS   
D-SUB Connector,  
Stacked type  
Number of Contacts   
Connector: F-Female  
PROCESS OPTION:  
A:Rivet Only  
B:Rivet Lock  
Housing Color: B-Black  
L-Blue



GENERAL TOLERANCE	PROJECTION		Description:
X. ±0.30	UNITS	mm	D-SUB Connector, 15Pin Female,High Stacked type
.X ±0.25	SCALE	1:1	
.XX ±0.20	Draw by:	Daniel	KLS P/N: L-KLS1-517-15F-XB
ANGLE TOLERANCE	Check by:	Daniel	
X. ±3°	Date	2018-03-01	
.X ±2°	SHEET	1 OF 1	
.XX ±1°			

NingBo KLS ELECTRONIC CO.,L TD.