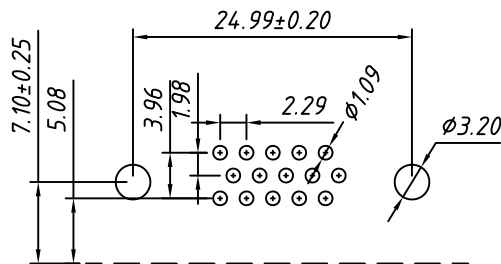
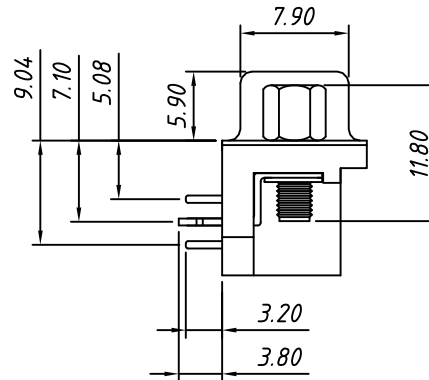
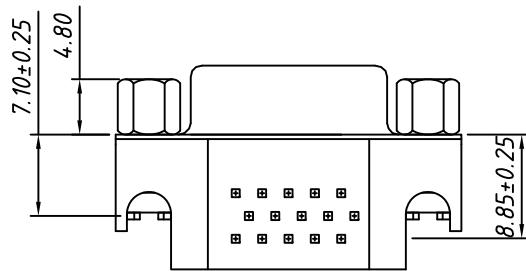
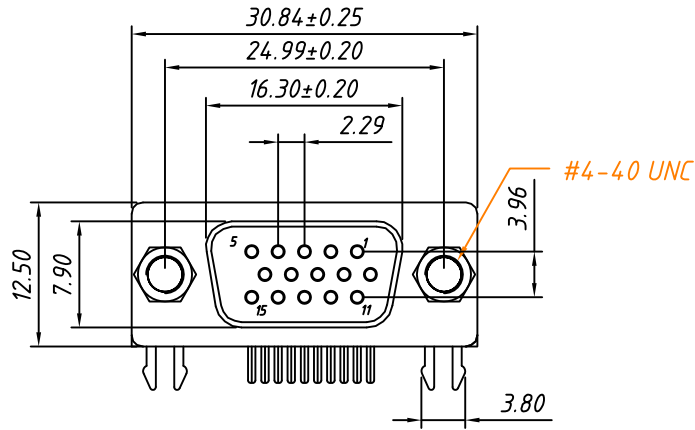


1 RoHS Compliant



RECOMMENDED PCB LAYOUT
TOLERANCE: ±0.05mm

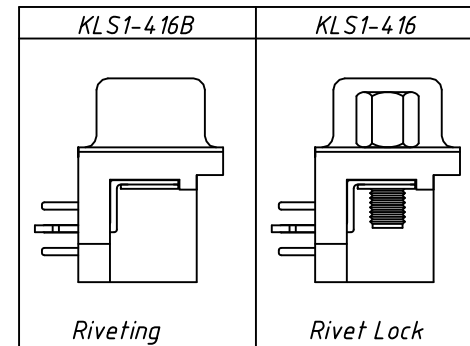
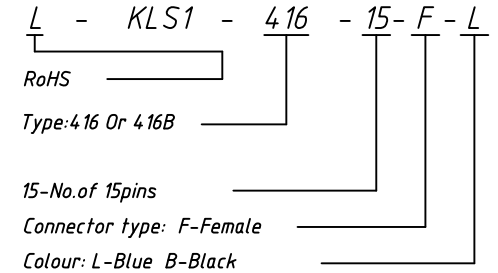
Material:

Housing: PBT+30% Glass filled, UL94V-0
Contacts: Brass, Gold Plating
Shell: Steel, Nickel Plating

Electrical Characteristics:

Current Rating: 5 AMP
Insulator Resistance: 1000MΩ Min. at DC 500V
Withstanding Voltage: 500V AC (rms) for 1 minute
Contact Resistance: 20mΩ Max. Initial
Operating Temperature: -55°C ~ +105°C

Order Information



GENERAL TOLERANCE	PROJECTION		Description:
.X ±0.30	UNITS	mm	D-SUB Connector, R/A,
.X ±0.25	SCALE	1:1	Through Hole, 5.08mm, Female
.XX ±0.20	Draw by:	Daniel	KLS P/N: L-KLS1-416-15-F-L
ANGLE TOLERANCE	Check by:	Daniel	NingBo KLS ELECTRONIC CO., L TD.
.X ±3°	Date	2018-03-01	
.X ±2°	SHEET	1 OF 1	
.XX ±1°			