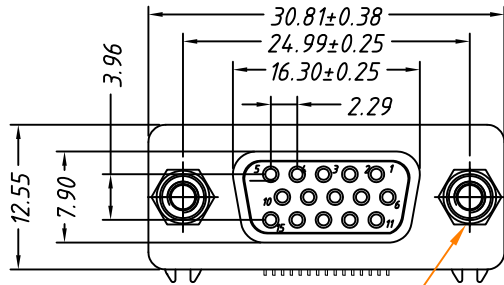
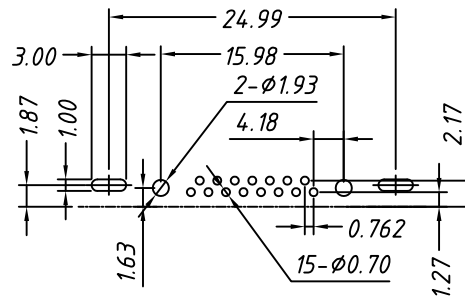
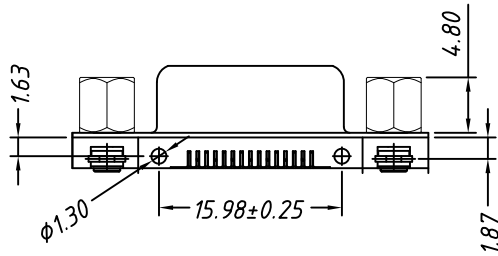
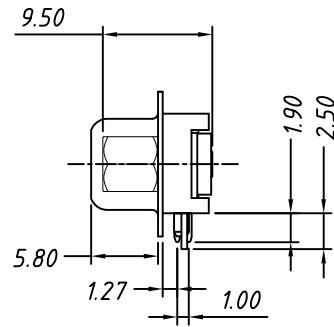


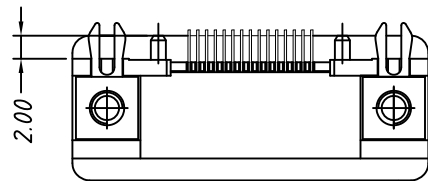
1 RoHS Compliant



#4-40 UNC



RECOMMENDED PCB LAYOUT
TOLERANCE: ±0.05mm



Material:

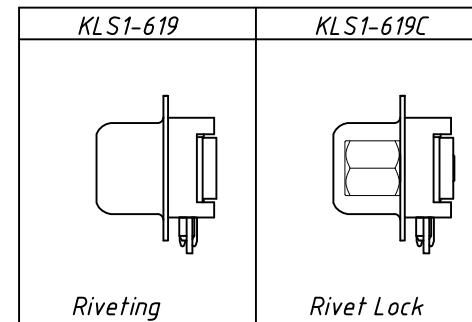
Housing: PBT+30% Glass filled, UL94V-0
Contacts: Brass, Gold Plating
Shell: Steel, Nickel Plating

Electrical Characteristics:

Current Rating: 3 AMP
Insulator Resistance: 1000MΩ Min. at DC 500V
Withstanding Voltage: 500V AC (rms) for 1 minute
Contact Resistance: 25mΩ Max. Initial
Operating Temperature: -55°C ~ +105°C

Order Information

L - KLS1 - 619C - 15 - F - B
RoHS
Type: 619 Or 619C
15-No. of 15pins
Connector type: F-Female
Housing Color: B-Black L-Blue



GENERAL TOLERANCE	PROJECTION		Description:
.X ±0.30	UNITS	mm	Slim D-SUB Connector, R/A, Through Hole, 15P Female
.X ±0.25	SCALE	1:1	
.XX ±0.20	Draw by:	Daniel	KLS P/N: L-KLS1-619C-15-F-B
ANGLE TOLERANCE	Check by:	Daniel	
.X ±3°	Date	2018-03-01	
.X ±2°	SHEET	1 OF 1	
.XX ±1°			

NingBo KLS ELECTRONIC CO., L TD.