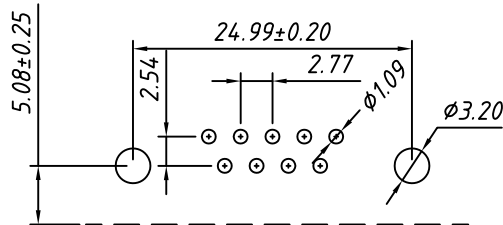
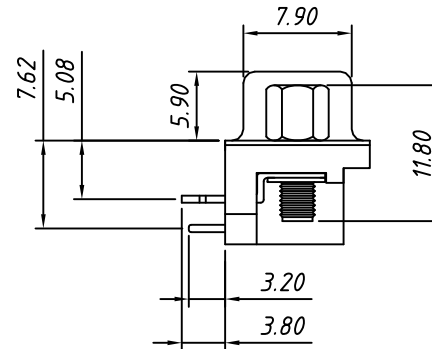
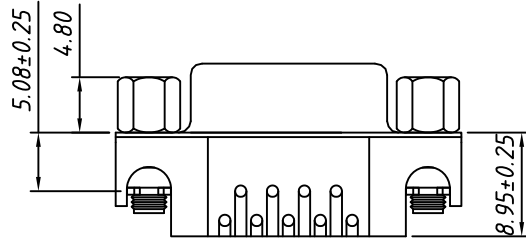
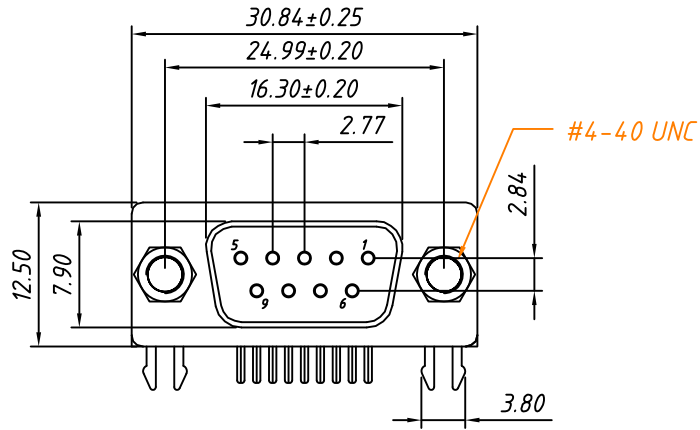


1 RoHS Compliant



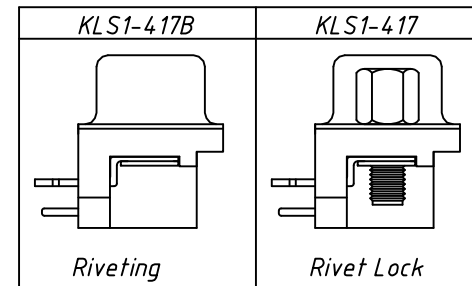
RECOMMENDED PCB LAYOUT
TOLERANCE: ±0.05mm

Material:
Housing: PBT+30% Glass filled ,UL94V-0
Contacts: Brass ,Gold Plating.
Shell: Steel, Nickel Plating

Electrical Characteristics:
Current Rating: 5 AMP
Insulator Resistance: 1000MΩ Min. at DC 500V
Withstanding Voltage: 500V AC (rms) for 1 minute
Contact Resistance: 20mΩ Max. Initial
Operating Temperature: -55°C ~ +105°C

Order Information

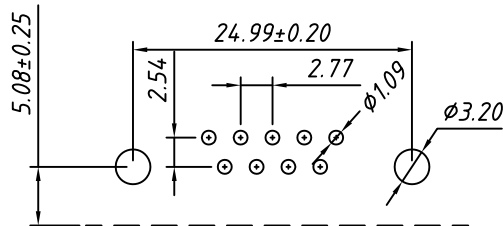
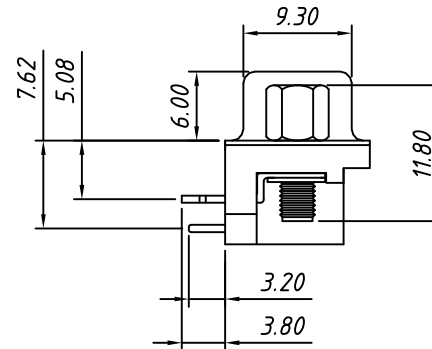
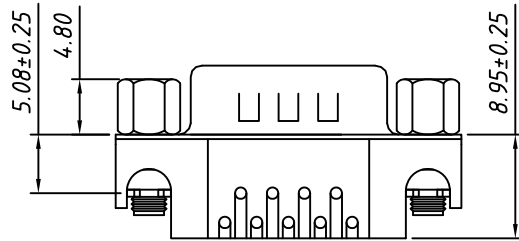
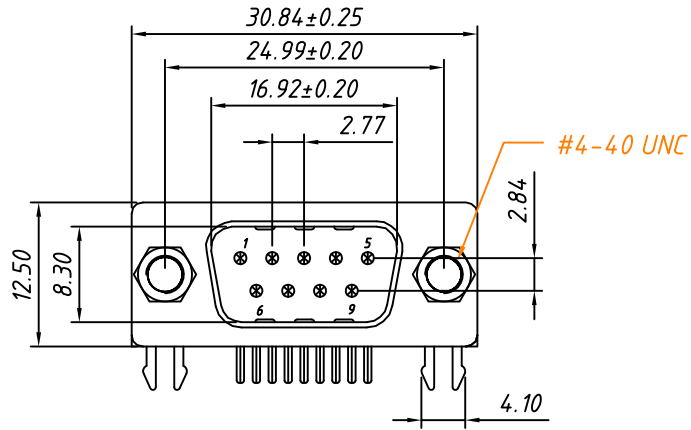
L - KLS1 - 417 - XX - F - X
RoHS
Type: 417 Or 417B
Number of Contacts
Connector type: F-Female
Housing Color: L-Blue B-Black



GENERAL TOLERANCE	PROJECTION		Description:
X. ±0.30	UNITS	mm	D-SUB Connector, R/A,
.X ±0.25	SCALE	1:1	Through Hole, 5.08mm, 9P Female
.XX ±0.20	Draw by:	Daniel	KLS P/N: L-KLS1-417-XX-F-X
ANGLE TOLERANCE	Check by:	Daniel	
X. ±3°	Date	2018-03-01	
.X ±2°	SHEET	1 OF 1	
.XX ±1°			

NingBo KLS ELECTRONIC CO.,L TD.

1 RoHS Compliant

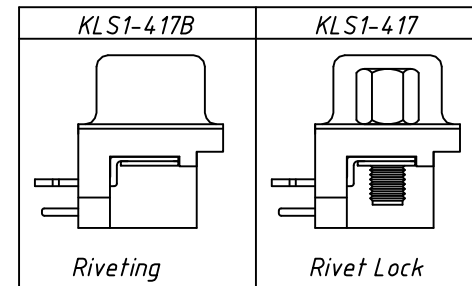
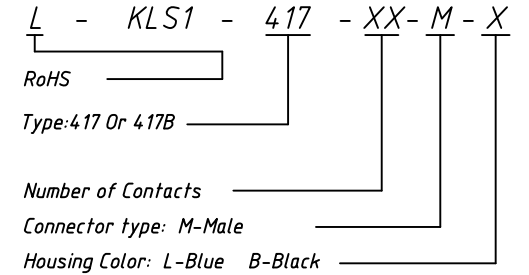


RECOMMENDED PCB LAYOUT
TOLERANCE: ±0.05mm

Material:
Housing: PBT+30% Glass filled ,UL94V-0
Contacts: Brass ,Gold Plating
Shell: Steel, Nickel Plating

Electrical Characteristics:
Current Rating: 5 AMP
Insulator Resistance: 1000MΩ Min. at DC 500V
Withstanding Voltage: 500V AC (rms) for 1 minute
Contact Resistance: 20mΩ Max. Initial
Operating Temperature: -55°C ~ +105°C

Order Information



GENERAL TOLERANCE	PROJECTION		Description:
.X ±0.30	UNITS	mm	D-SUB Connector, R/A, Through Hole, 5.08mm, 9P Male
.X ±0.25	SCALE	1:1	
.XX ±0.20	Draw by:	Daniel	KLS P/N: L-KLS1-417-XX-M-X
ANGLE TOLERANCE	Check by:	Daniel	NingBo KLS ELECTRONIC CO.,L TD.
.X ±3°	Date	2018-03-01	
.X ±2°	SHEET	1 OF 1	
.XX ±1°			