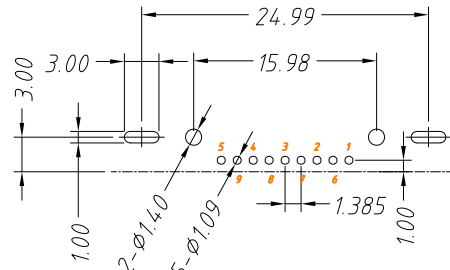
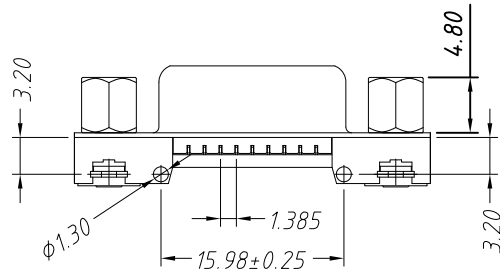
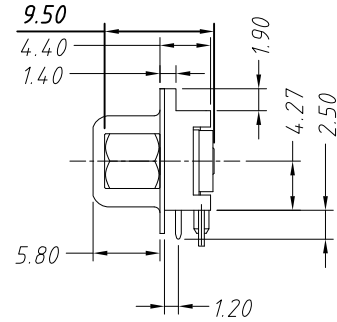
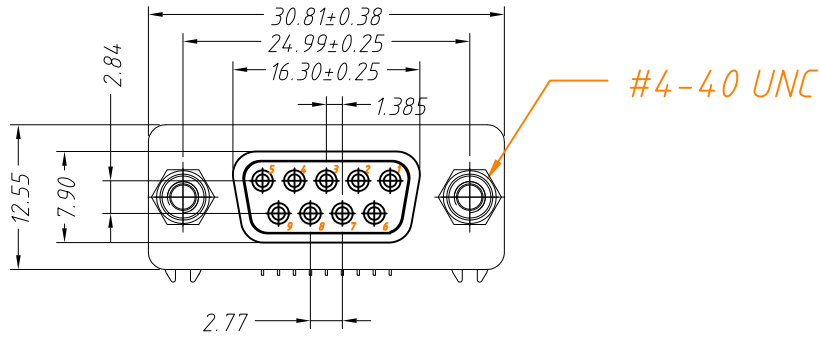
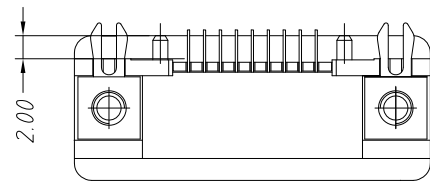


1 RoHS Compliant



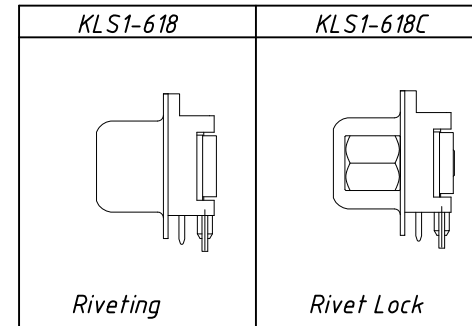
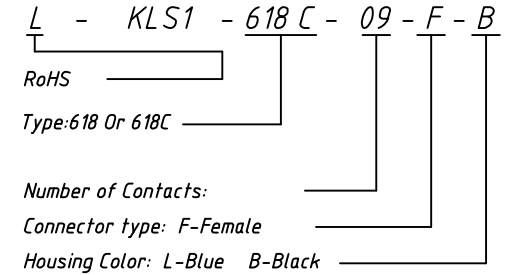
**RECOMMENDED PCB LAYOUT**  
TOLERANCE: ±0.05mm



**Material:**  
Housing: PBT+30% Glass filled ,UL 94V-0  
Contacts: Brass ,Gold Plating  
Shell: Steel, Nickel Plating

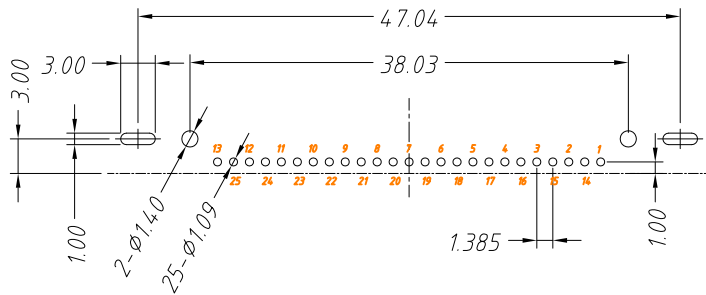
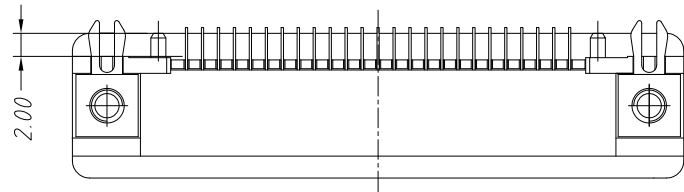
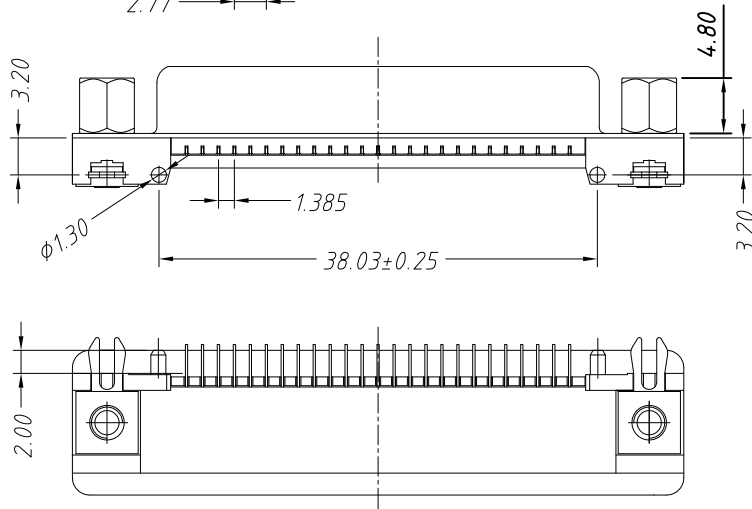
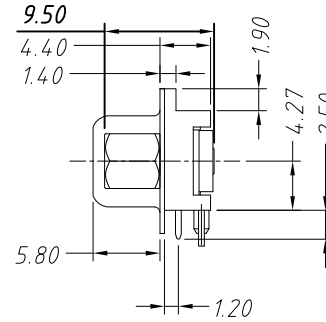
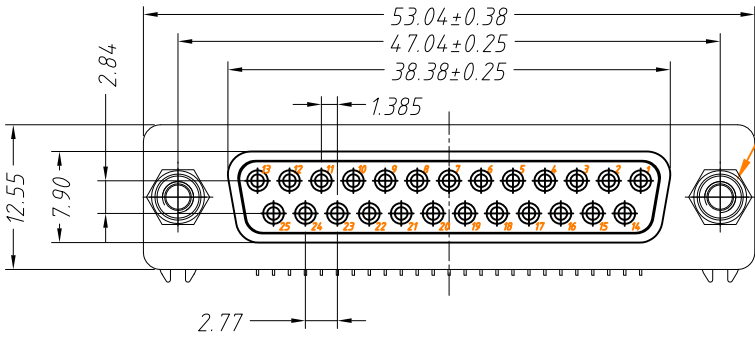
**Electrical Characteristics:**  
Current Rating: 3 AMP  
Insulator Resistance: 1000MΩ Min. at DC 500V  
Withstanding Voltage: 500V AC (rms) for 1 minute  
Contact Resistance: 25mΩ Max. Initial  
Operating Temperature: -55°C ~ +105°C

**Order Information**



GENERAL TOLERANCE	PROJECTION		Description:
X. ±0.30	UNITS	mm	Slim D-SUB Connector, R/A, Through Hole, 9P Female
.X ±0.25	SCALE	1:1	
.XX ±0.20	Draw by:	Daniel	KLS P/N: L-KLS1-618 X-09-F-B
ANGLE TOLERANCE	Check by:	Daniel	NingBo KLS ELECTRONIC CO.,L TD.
X. ±3°	Date	2018-03-01	
.X ±2°	SHEET	1 OF 1	
.XX ±1°			

1 RoHS Compliant

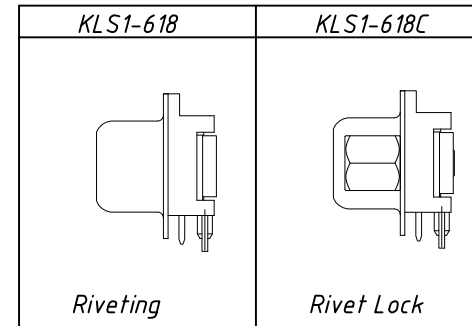
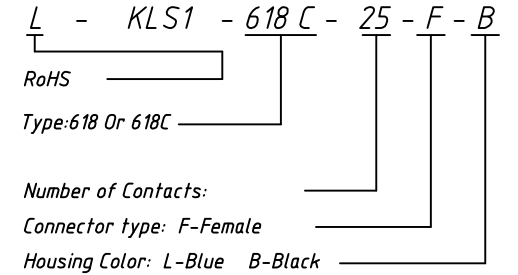


**RECOMMENDED PCB LAYOUT**  
TOLERANCE: ±0.05mm

**Material:**  
Housing: PBT+30% Glass filled ,UL94V-0  
Contacts: Brass ,Gold Plating  
Shell: Steel, Nickel Plating

**Electrical Characteristics:**  
Current Rating: 3 AMP  
Insulator Resistance: 1000MΩ Min. at DC 500V  
Withstanding Voltage: 500V AC (rms) for 1 minute  
Contact Resistance: 25mΩ Max. Initial  
Operating Temperature: -55°C ~ +105°C

**Order Information**



GENERAL TOLERANCE	PROJECTION		Description:
X. ±0.30	UNITS	mm	Slim D-SUB Connector, R/A, Through Hole, 25P Female
.X ±0.25	SCALE	1:1	
.XX ±0.20	Draw by:	Daniel	KLS P/N: L-KLS1-618 X-25-F-B
ANGLE TOLERANCE	Check by:	Daniel	NingBo KLS ELECTRONIC CO.,L TD.
X. ±3°	Date	2018-03-01	
.X ±2°	SHEET	1 OF 1	
.XX ±1°			