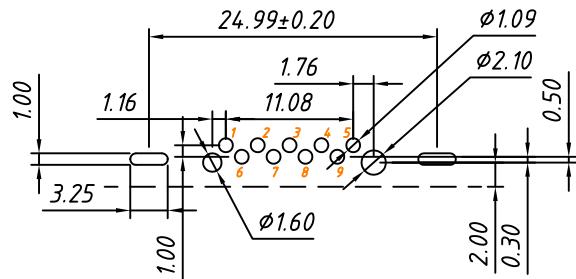
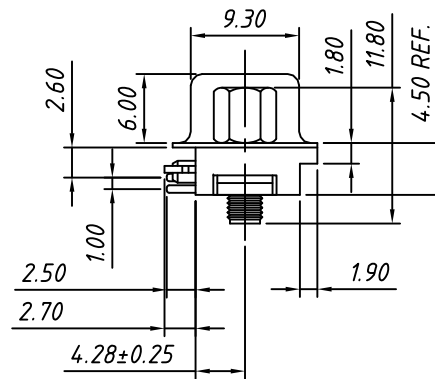
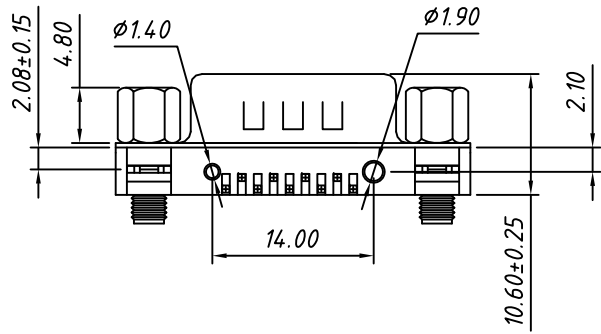
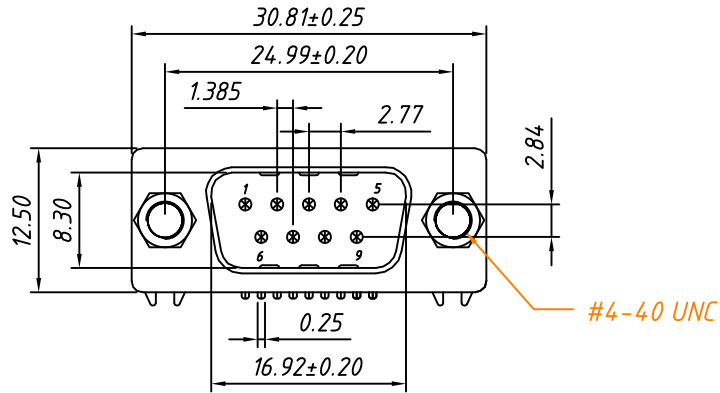


RoHS Compliant



RECOMMENDED PCB LAYOUT
TOLERANCE: ±0.05mm

Material:

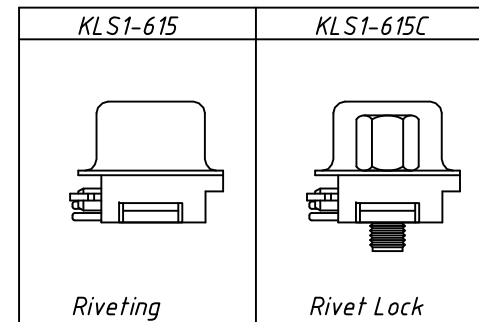
Housing: PBT+30% Glass filled ,UL94V-0
Contacts: Brass ,Gold Plating
Shell: Steel, Nickel Plating

Electrical Characteristics:

Current Rating: 3 AMP
Insulator Resistance: 1000MΩ Min. at DC 500V
Withstanding Voltage: 500V AC (rms) for 1 minute
Contact Resistance: 25mΩ Max. Initial
Operating Temperature: -55°C ~ +105°C

Order Information

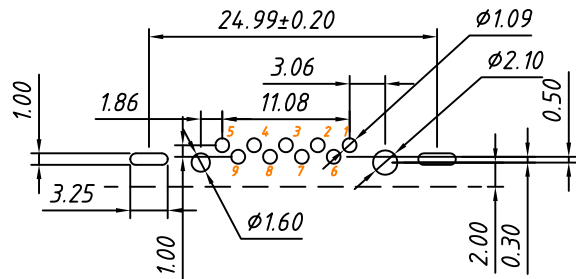
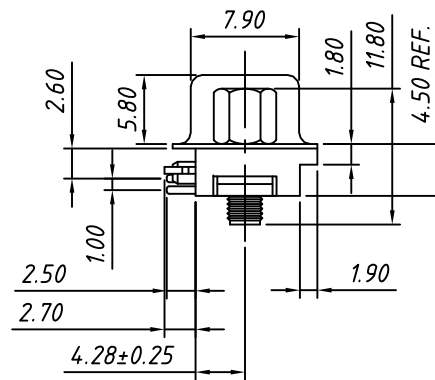
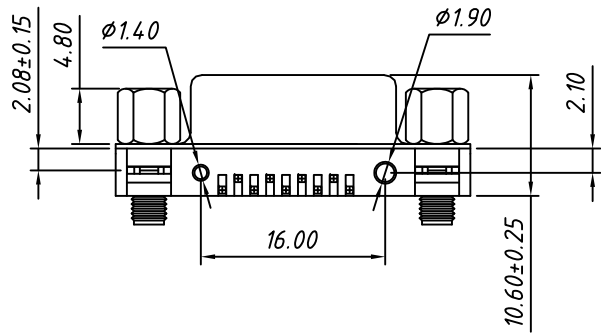
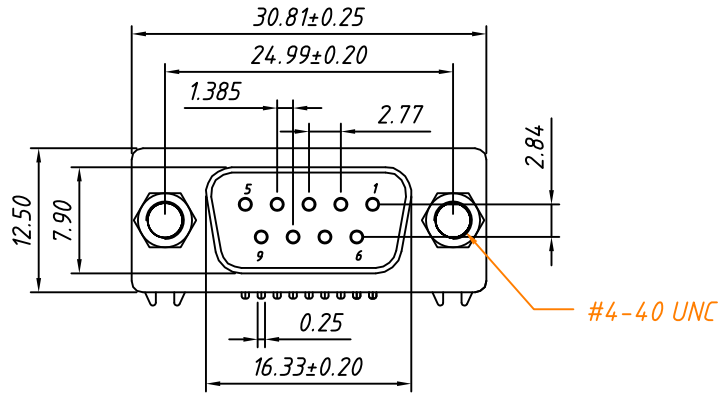
L - KLS1 - 615 - 09 - M - X
RoHS
Slim D-SUB Connector,
2 Row R/A Through Hole
Number of Contacts: 09- 9Pin
Connector type: M-Male
Housing Color: B-Black
L-Blue
E-Green



GENERAL TOLERANCE	PROJECTION		Description:
X. ±0.30	UNITS	mm	Slim D-SUB Connector, R/A, Through Hole, 2.50mm, Male
.X ±0.25	SCALE	1:1	
.XX ±0.20	Draw by:	Daniel	KLS P/N: L-KLS1-615-09-M-X
ANGLE TOLERANCE	Check by:	Daniel	
X. ±3°	Date	2018-03-01	
.X ±2°	SHEET	1 OF 1	
.XX ±1°			

NingBo KLS ELECTRONIC CO.,L TD.

RoHS Compliant



RECOMMENDED PCB LAYOUT
TOLERANCE: ±0.05mm

Material:

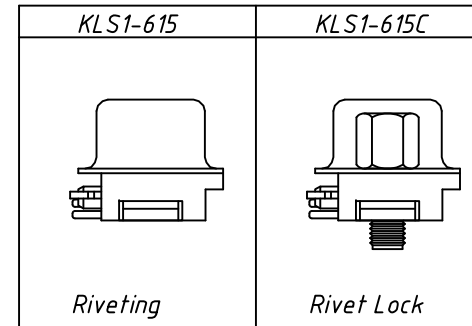
Housing: PBT+30% Glass filled ,UL94V-0
Contacts: Brass ,Gold Plating
Shell: Steel, Nickel Plating

Electrical Characteristics:

Current Rating: 3 AMP
Insulator Resistance: 1000MΩ Min. at DC 500V
Withstanding Voltage: 500V AC (rms) for 1 minute
Contact Resistance: 25mΩ Max. Initial
Operating Temperature: -55°C ~ +105°C

Order Information

L - KLS1 - 615 - 09 - F - X
RoHS
Slim D-SUB Connector,
2 Row R/A Through Hole
Number of Contacts: 09- 9Pin
Connector type: F-Female
Housing Color: B-Black
L-Blue
E-Green



GENERAL TOLERANCE	PROJECTION		Description:
X. ±0.30	UNITS	mm	Slim D-SUB Connector, R/A, Through Hole, 2.50mm, Female
.X ±0.25	SCALE	1:1	
.XX ±0.20	Draw by:	Daniel	KLS P/N: L-KLS1-615-09-F-X
ANGLE TOLERANCE	Check by:	Daniel	
X. ±3°	Date	2018-03-01	
.X ±2°	SHEET	1 OF 1	
.XX ±1°			

NingBo KLS ELECTRONIC CO.,L TD.