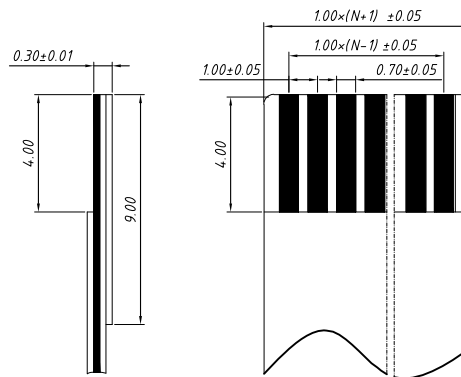
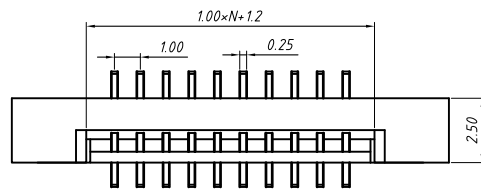


Material
 Housing: LCP UL94V-0
 Lock: PA46, UL94V-0
 Plug spring: Phosphor Bronze, Gold/Tin

Electrical
 Voltage rating: 50 V
 Current rating: 0.5 A
 Withstanding Voltage: 500 V
 Insulation resistance: 800MΩ.Min.
 Contact resistance: 20 mΩ.max.

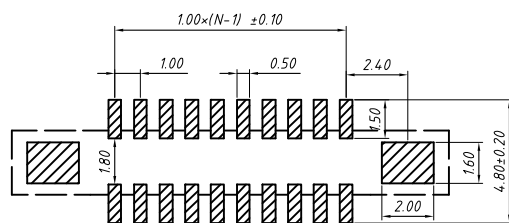
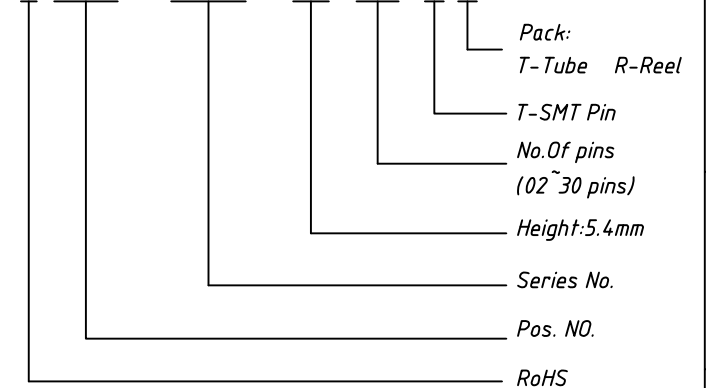
Mechanical
 Temp. Range: -25 °C ~ +85 °C



Proper Cable

Order Information

L-KLS1- 1240H - 5.4- XX -T-R



PCB Layout

GENERAL TOLERANCE	ANGLE TOLERANCE	PROJECTION	Description:
.X ±0.15	.X ±5°	UNITS	CONN FFC 1.00mm, SMD, Vertical, with ZIF
.X ±0.03	.X ±3°	SHEET SIZE	
.XX ±0.05	.XX ±2°	KLS P/N:	

Draw by: Date	2018-03-10
Check by: Date	2018-03-10
SCALE	SHEET OF

KLS NingBo KLS ELECTRONIC CO.,LTD.